

THIS DRAWING IS UNPUBLISHED.		RELEASED FOR PUBLICATION		2008	
© COPYRIGHT 2008 BY TYCO ELECTRONICS CORPORATION. ALL RIGHTS RESERVED.		LOC	0.1ST	P	LTR
AI	—	DESCRIPTION	DATE	OWN	APVD

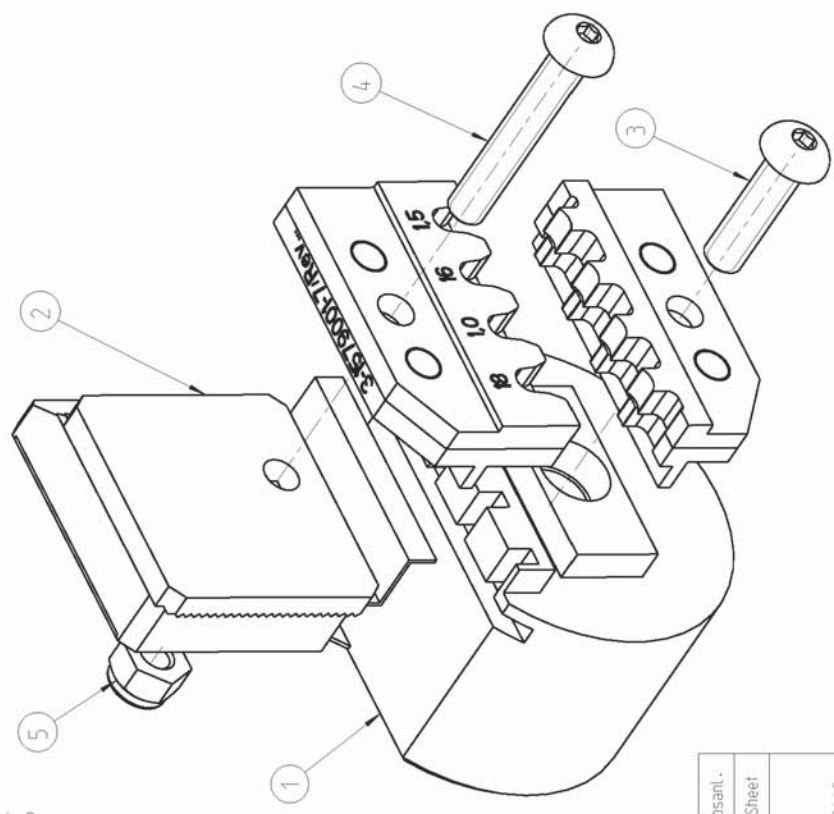
ERGOCRIMP DIE SET FOR MCON 1.2 CLEAN BODY SWS

Matrize in Kombination mit Ergocrimp Basishandzange TE P/N 539635-1 verwenden
 Use die set in combination with Ergocrimp basis hand tool TE P/N 539635-1

Matrize im Karton mit Bedienungsanleitung 411-18448 verpackt
 Die set packed in a cardboard with instruction sheet 411-18448

QTY Stck	TE P/N	Description	Benennung	Pos.
1	9-0744012-8	Instruction Sheet	Bedienungsanleitung	6
1	0-0519024-2	Nut M4 DIN 985	Mutter M4 DIN 985	5
1	1-0519151-3	Screw M4x25	Schraube M4x25	4
1	1-0519151-1	Screw M4x16	Schraube M4x16	3
1	8-1579013-1	Locator Assembly	Drahtanschlag	2
1	8-1579013-0	Contact Locator	Kontaktpositionierer	1

Kontakt	DGB (mm ²)	Drahtcrimp / Wire Crimp		Isolationscrimp / Insulation Crimp		Isol.∅	Betriebsanl. Instr.-Sheet
		Hoehe/Height mm	Breite/Width mm	Hoehe/Height mm	Breite/Width mm		
Contact	AWG						
	18	1.11 ±0.05	1.78 F	3.45 max.	3.30 0	1.9-2.4	411-18448
	16	1.18 ±0.05					
	15	1.31 ±0.05					
14	1.36 ±0.05						



UNB	12AUG2008	Tyco Electronics	Tyco Electronics AMP GmbH
CHR	Ch.Witt	D - 64625 Bensheim	
APVD	—	NAME	ERGOCRIMP DIE SET FOR MCON 1.2
PRODUCT SPEC	—	CAGE CODE	C=3-1579001-7
APPLICATION SPEC	—	RESTRICTED TO	—
WEIGHT	200 g	SCALE	2:1
CUSTOMER DRAWING		SHEET	1 OF 1
		REV	A