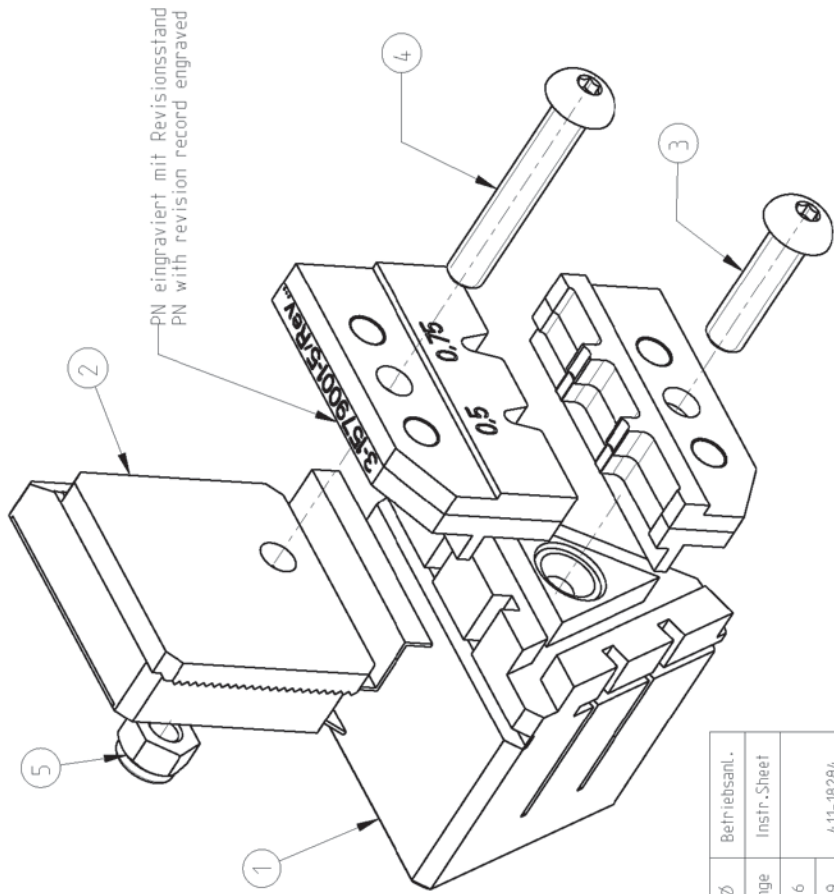


THIS DRAWING IS UNPUBLISHED.		RELEASED FOR PUBLICATION		2003											
COPYRIGHT 2003		BY TYCO ELECTRONICS CORPORATION, ALL RIGHTS RESERVED.													
LOC	01ST	P	LTR	DATE	DWN										
A1	-	A	EGCO-0193-04	07.09.2004	wjtt										
<table border="1"> <tr> <th>REV</th> <th>DESCRIPTION</th> <th>DATE</th> <th>DWN</th> <th>APVD</th> </tr> <tr> <td> </td> <td> </td> <td> </td> <td> </td> <td> </td> </tr> </table>						REV	DESCRIPTION	DATE	DWN	APVD					
REV	DESCRIPTION	DATE	DWN	APVD											

Matrize in Kombination mit Ergocrimp Basishandzange PN 539635-1 verwenden
 Use die in combination with Ergocrimp basis hand tool PN 539635-1

Matrize im Karton mit Bedienungsanleitung 411-18284 verpackt
 Die packed in a cardboard with instruction sheet 411-18284

1	5-0744010-1	Instruction Sheet	Bedienungsanleitung	6
1	0-0519024-2	Nut M4 DIN 985	Mutter M4 DIN 985	5
1	1-0519151-3	Schraube M4x25	Schraube M4x25	4
1	1-0519151-1	Schraube M4x16	Schraube M4x16	3
1	8-1579005-9	Locator Assembly	Drahtanschlag	2
1	8-1579005-4	Contact Locator	Kontaktpositionierer	1
QTY	PN	Description	Benennung	Pos.
Stick				



Kontakt	DGB (mm 2)	Drahtcrimp / Wire Crimp	Isolationscrimp/Insulationcrimp	Isol.Ø	Betriebsanl.
Contact	Wire Range	Höhe/Height mm	Breite/Width mm	Ins.Range	Instr. Sheet
963729 / 963730	0.50	0.93 ±0.03	1.40	1.4-1.6	
968221 / 1241921	0.75	1.07 ±0.03	2.03 ±0.1	1.7-1.9	411-18284
1452014	----	-----	-----	----	

DWN		07SEP2004		tyco Electronics AMP GmbH	
CHK	Ch.Wjtt	-		D - 64625 Bensheim	
APVD	-		NAME		
PRODUCT SPEC		ERGOCRIMP-DIE SET			
APPLICATION SPEC		Ergocrimp Matrize			
WEIGHT		-		SIZE / CAGE CODE / DRAWING NO	
-		-		A3 00779 C=3-1579001-5	
MATERIAL		-		RESTRICTED TO	
-		-		-	
DIMENSIONS:		TOLERANCES UNLESS OTHERWISE SPECIFIED:		SCALE	
mm		0 PLC ±		2:1	
-		1 PLC ±		SHEET	
-		2 PLC ±		1	
-		3 PLC ±		OF	
-		ANGLES ±°		1	
-		FINISH -		REV	
-		-		A	
-		-		A	