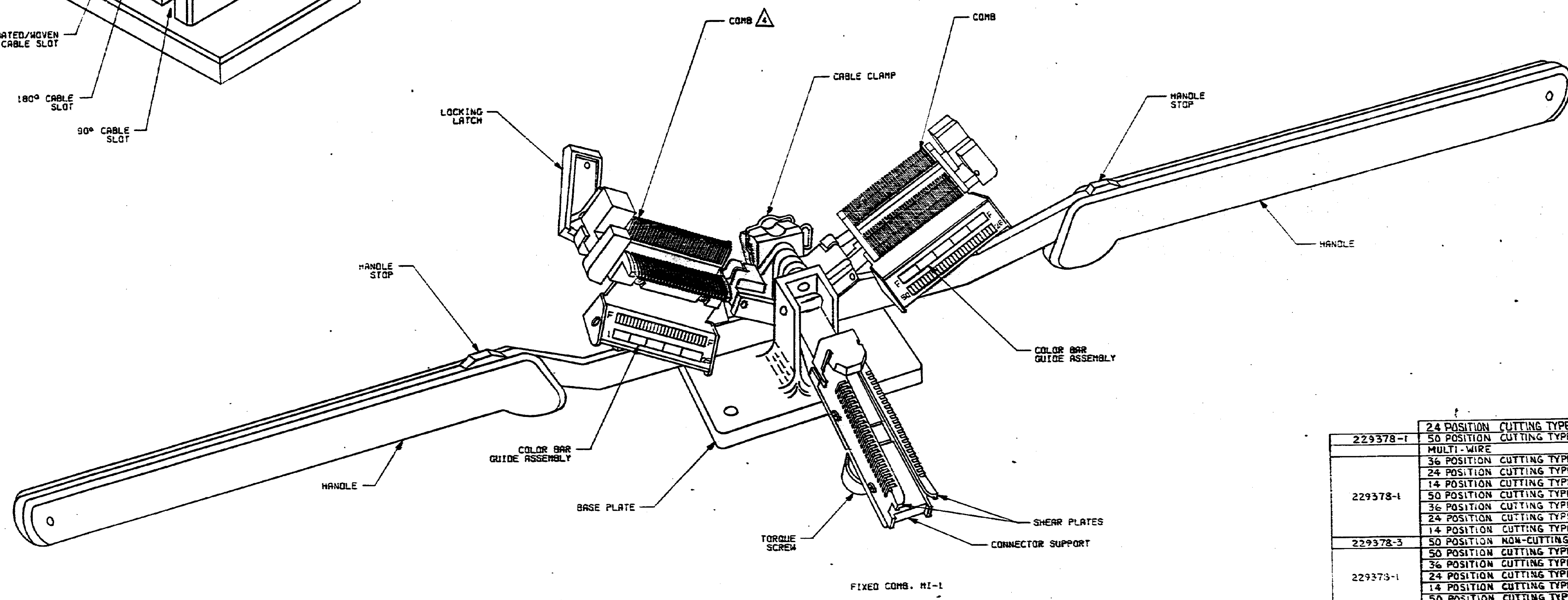
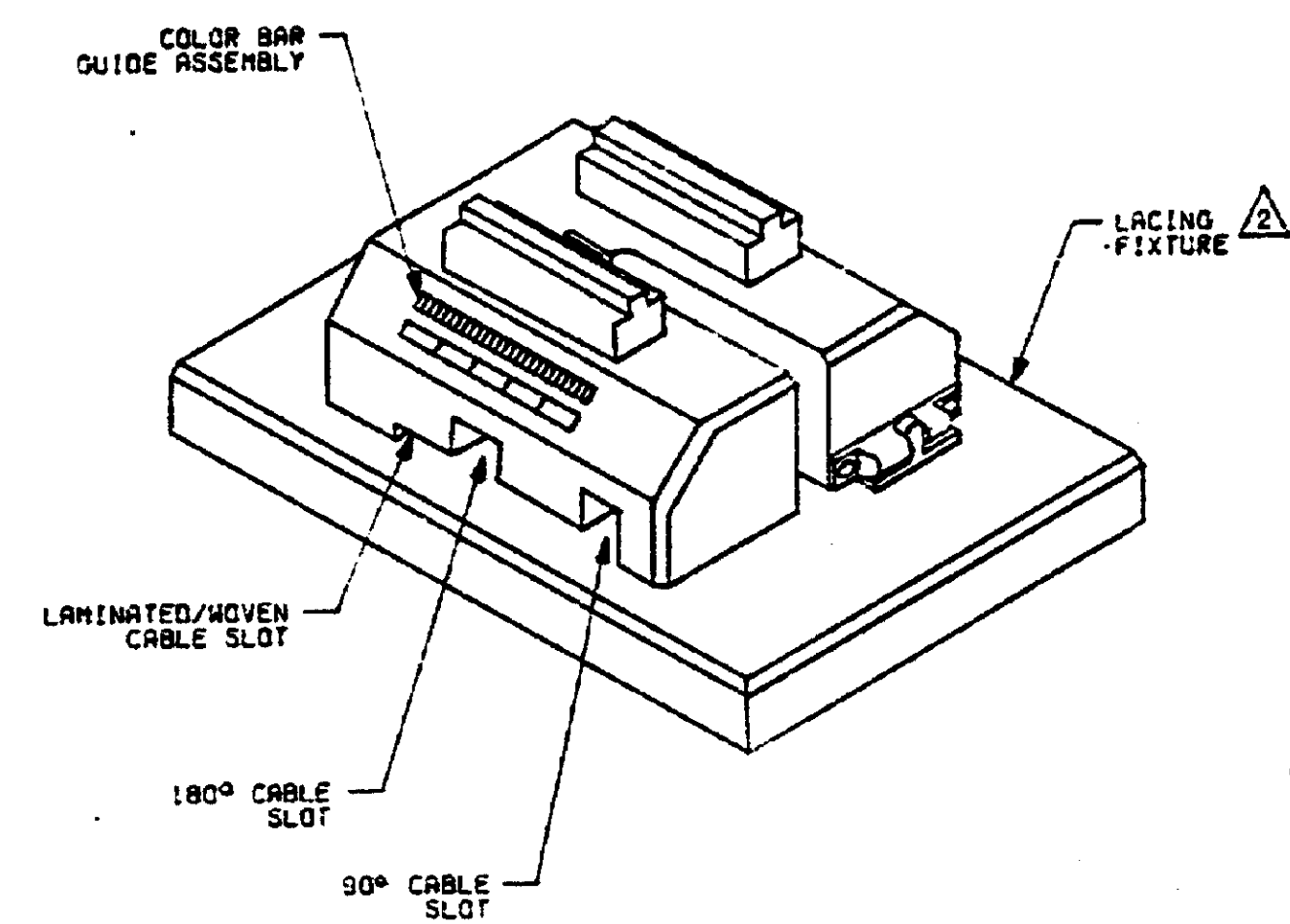


DRAWING MADE IN THIRD ANGLE PROJECTION  
 RELEASED FOR PUBLICATION FEBRUARY 2, 1982  
 BY AMP INCORPORATED, HARRISBURG, PA. ALL INFORMATION, RIGHTS RESERVED. AMP PRODUCTS MAY BE COVERED BY U.S. AND FOREIGN PATENTS AND/OR PENDING PATENTS.

REVISE		DESCRIPTION	DATE	APPROVED
1		SEPARABLE COMB KIT, PART NUMBER 230327-1, CONTAINS 6 SEPARABLE COMBS AND IS OPTIONAL.		
2		LACING FIXTURE, PART NUMBER 230328-1, IS OPTIONAL.		
3		INACTIVE - FOR REPLACEMENT ONLY.		
4		COMBS MAY BE UTILIZED ON THE TOOL OR REMOVED FOR REMOTE LACING ON THE OPTIONAL FIXTURE.		



229378-1	24 POSITION CUTTING TYPE, SEPARABLE COMB, LOW EFFORT	2-229378-2
	50 POSITION CUTTING TYPE, SEPARABLE COMB, LOW EFFORT	2-229378-1
	MULTI-WIRE	2-229378-0
	36 POSITION CUTTING TYPE, SEPARABLE COMB	1-229378-9
	24 POSITION CUTTING TYPE, SEPARABLE COMB	1-229378-8
	14 POSITION CUTTING TYPE, SEPARABLE COMB	1-229378-7
229378-1	50 POSITION CUTTING TYPE, LOW EFFORT	1-229378-5
	36 POSITION CUTTING TYPE	1-229378-4
	24 POSITION CUTTING TYPE	1-229378-3
	14 POSITION CUTTING TYPE	1-229378-2
229378-3	50 POSITION NON-CUTTING TYPE	1-229378-1
	50 POSITION CUTTING TYPE, SEPARABLE COMB	1-229378-0
	36 POSITION CUTTING TYPE, SEPARABLE COMB	2-229378-9
229378-1	24 POSITION CUTTING TYPE, SEPARABLE COMB	229378-8
	14 POSITION CUTTING TYPE, SEPARABLE COMB	229378-7
	50 POSITION CUTTING TYPE	229378-6
	50 POSITION CUTTING, LOW EFFORT	229378-5
	HALF-TAP TOOL	229378-3
	14 TO 50 POSITION STANDARD TOOL	229378-1

REPLACED BY	DESCRIPTION	PART NO.
DIMENSIONS OTHER THAN SPECIFIED DIMENSIONS ARE IN INCHES TOLERANCES UNLESS OTHERWISE SPECIFIED: DECIMALS: ± .005 FRACTIONS: ± .001	CONTRACT NO. OR DATE ONE APPD CSOM APPD OTHER APPD	NAME <b>AMP</b> INCORPORATED HARRISBURG, PA. 17105 <b>ASSEMBLY, TOOL, MI-1 (CHAMP)</b>
MATERIAL FINISH	APPD DATE CSOM APPD OTHER APPD	SIZE <b>D 00779</b> DRAWING NO. <b>229378</b> SCALE 1:1 SHEET 1 OF 1

CUSTOMER DRAWING