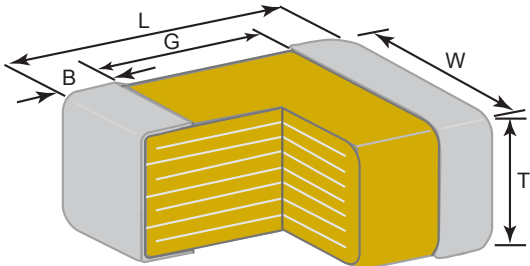
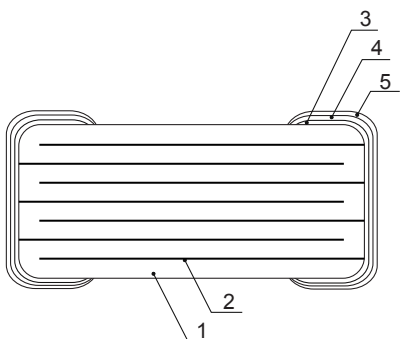


# TDK MLCC Datasheet<sup>1</sup>

TDK P/N **C1608** **C0G** **1H** **332** **J** **T** **XXXX**

1)                      2)                      3)                      4)                      5)                      6)                      7)

No.	Segment	Detail	Comments
1	Case Size	1.6 x 0.8 mm	See below for dimensions.
2	Temperature Characteristics	-55 +125°C 0 ± 30 ppm / C	Class I ; Conforms to EIA 198
3	Rated Voltage	50 V	DC
4	Capacitance	3300 pF	1.0 ± 0.2 Vrms , 120Hz ± 10%
5	Capacitance Tolerance	± 5%	Conforms to IEC 384-9
6	Packaging Style	Tape and Reel, 8 mm	EIA 481 Format
7	TDK internal Code	XXXX	(Internal TDK use only)
-	Q	1000 min.	1.0 ± 0.2 Vrms , 120Hz ± 10%
-	Insulation Resistance	10,000 M min.	apply rated voltage for 60s

Physical Dimensions		Material System			
					
Symbol	Dimensions (mm)	Material			
L	1.6 ± 0.1	Class I		Class II	
W	0.8 ± 0.1	Pd	TME	Pd	TME
T	0.9 max.	1 Dielectric: TiO2, CaZrO3, BaTiO3			
B	0.2 min.	2 Electrode: Pd, Ni, Pd, Ni			
G	0.3 min.	3 Termination: Ag or Ag/Pd, Cu, Ag or Ag/Pd, Cu			
		4 Termination: Ni			
		5 Termination: Sn			

<sup>1</sup> This datasheet gives a basic overview of the multilayer ceramic capacitor as defined in the above TDK part number. A full specification (including part number construction, available capacitance ranges, packaging and caution notes) is available upon request. The information above is subject to change by TDK without any notice.