

FDP7N50U/FDPF7N50U

500V N-Channel MOSFET

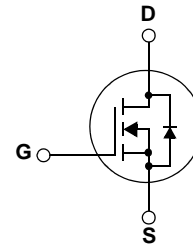
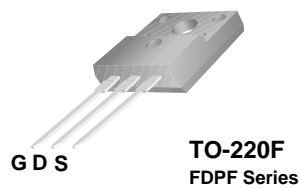
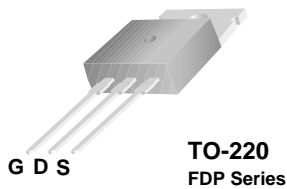
Features

- 5A, 500V, $R_{DS(on)} = 1.5\Omega @ V_{GS} = 10V$
- Low gate charge (typical 12.8 nC)
- Low C_{rss} (typical 9 pF)
- Fast switching
- 100% avalanche tested
- Improved dv/dt capability

Description

These N-Channel enhancement mode power field effect transistors are produced using Fairchild's proprietary, planar stripe, DMOS technology.

This advanced technology has been especially tailored to minimize on-state resistance, provide superior switching performance, and withstand high energy pulse in the avalanche and commutation mode. These devices are well suited for high efficient switched mode power supplies and active power factor correction.



Absolute Maximum Ratings

| Symbol | Parameter | FDP7N50U | FDPF7N50U | Unit |
|----------------|--|-------------|-----------|---------------------|
| V_{DSS} | Drain-Source Voltage | 500 | | V |
| I_D | Drain Current - Continuous ($T_C = 25^\circ\text{C}$) - Continuous ($T_C = 100^\circ\text{C}$) | 5 | 5 * | A |
| | | 3.0 | 3.0 * | A |
| I_{DM} | Drain Current - Pulsed (Note 1) | 20 | 20 * | A |
| V_{GSS} | Gate-Source voltage | ± 30 | | V |
| E_{AS} | Single Pulsed Avalanche Energy (Note 2) | 270 | | mJ |
| I_{AR} | Avalanche Current (Note 1) | 5 | | A |
| E_{AR} | Repetitive Avalanche Energy (Note 1) | 8.9 | | mJ |
| dv/dt | Peak Diode Recovery dv/dt (Note 3) | 4.5 | | V/ns |
| P_D | Power Dissipation ($T_C = 25^\circ\text{C}$) - Derate above 25°C | 89 | 39 | W |
| | | 0.71 | 0.31 | W/ $^\circ\text{C}$ |
| T_J, T_{STG} | Operating and Storage Temperature Range | -55 to +150 | | $^\circ\text{C}$ |
| T_L | Maximum Lead Temperature for Soldering Purpose, 1/8" from Case for 5 Seconds | 300 | | $^\circ\text{C}$ |

* Drain current limited by maximum junction temperature.

Thermal Characteristics

| Symbol | Parameter | FDP7N50U | FDPF7N50U | Unit |
|-----------------|---|----------|-----------|---------------------------|
| $R_{\theta JC}$ | Thermal Resistance, Junction-to-Case | 1.4 | 3.2 | $^\circ\text{C}/\text{W}$ |
| $R_{\theta CS}$ | Thermal Resistance, Case-to-Sink Typ. | 0.5 | -- | $^\circ\text{C}/\text{W}$ |
| $R_{\theta JA}$ | Thermal Resistance, Junction-to-Ambient | 62.5 | 62.5 | $^\circ\text{C}/\text{W}$ |

Package Marking and Ordering Information

| Device Marking | Device | Package | Reel Size | Tape Width | Quantity |
|----------------|-----------|---------|-----------|------------|----------|
| FDP7N50U | FDP7N50U | TO-220 | -- | -- | 50 |
| FDPF7N50U | FDPF7N50U | TO-220F | -- | -- | 50 |

Electrical Characteristics T_C = 25°C unless otherwise noted

| Symbol | Parameter | Conditions | Min. | Typ. | Max | Units |
|---|---|--|------|------|-----------|----------|
| Off Characteristics | | | | | | |
| BV _{DSS} | Drain-Source Breakdown Voltage | V _{GS} = 0V, I _D = 250μA | 500 | -- | -- | V |
| ΔBV _{DSS} / ΔT _J | Breakdown Voltage Temperature Coefficient | I _D = 250μA, Referenced to 25°C | -- | 0.5 | -- | V/°C |
| I _{DSS} | Zero Gate Voltage Drain Current | V _{DS} = 500V, V _{GS} = 0V V _{DS} = 400V, T _C = 125°C | -- | -- | 25 250 | μA μA |
| I _{GSSF} | Gate-Body Leakage Current, Forward | V _{GS} = 30V, V _{DS} = 0V | -- | -- | 100 | nA |
| I _{GSSR} | Gate-Body Leakage Current, Reverse | V _{GS} = -30V, V _{DS} = 0V | -- | -- | -100 | nA |
| On Characteristics | | | | | | |
| V _{GS(th)} | Gate Threshold Voltage | V _{DS} = V _{GS} , I _D = 250μA | 3.0 | -- | 5.0 | V |
| R _{DS(on)} | Static Drain-Source On-Resistance | V _{GS} = 10V, I _D = 2.5A | -- | 1.2 | 1.5 | Ω |
| g _{FS} | Forward Transconductance | V _{DS} = 40V, I _D = 2.5A (Note 4) | -- | 2.5 | -- | S |
| Dynamic Characteristics | | | | | | |
| C _{iss} | Input Capacitance | V _{DS} = 25V, V _{GS} = 0V, f = 1.0MHz | -- | 720 | 940 | pF |
| C _{oss} | Output Capacitance | | -- | 95 | 190 | pF |
| C _{rss} | Reverse Transfer Capacitance | | -- | 9 | 13.5 | pF |
| Switching Characteristics | | | | | | |
| t _{d(on)} | Turn-On Delay Time | V _{DD} = 250V, I _D = 7A R _G = 25Ω (Note 4, 5) | -- | 6 | 20 | ns |
| t _r | Turn-On Rise Time | | -- | 55 | 120 | ns |
| t _{d(off)} | Turn-Off Delay Time | | -- | 25 | 60 | ns |
| t _f | Turn-Off Fall Time | | -- | 35 | 80 | ns |
| Q _g | Total Gate Charge | V _{DS} = 400V, I _D = 7A V _{GS} = 10V (Note 4, 5) | -- | 12.8 | 16.6 | nC |
| Q _{gs} | Gate-Source Charge | | -- | 3.7 | -- | nC |
| Q _{gd} | Gate-Drain Charge | | -- | 5.8 | -- | nC |
| Drain-Source Diode Characteristics and Maximum Ratings | | | | | | |
| I _S | Maximum Continuous Drain-Source Diode Forward Current | | -- | -- | 5 | A |
| I _{SM} | Maximum Pulsed Drain-Source Diode Forward Current | | -- | -- | 20 | A |
| V _{SD} | Drain-Source Diode Forward Voltage | V _{GS} = 0V, I _S = 7A | -- | -- | 1.6 | V |
| t _{rr} | Reverse Recovery Time | V _{GS} = 0V, I _S = 7A di _F /dt = 100A/μs (Note 4) | -- | 40 | -- | ns |
| Q _{rr} | Reverse Recovery Charge | | -- | 0.04 | -- | μC |

NOTES:

1. Repetitive Rating: Pulse width limited by maximum junction temperature
2. I_{AS} = 7A, V_{DD} = 50V, L = 10mH, R_G = 25Ω, Starting T_J = 25°C
3. I_{SD} ≤ 7A, di/dt ≤ 200A/μs, V_{DD} ≤ BV_{DSS}, Starting T_J = 25°C
4. Pulse Test: Pulse width ≤ 300μs, Duty Cycle ≤ 2%
5. Essentially Independent of Operating Temperature Typical Characteristics

Typical Performance Characteristics

Figure 1. On-Region Characteristics

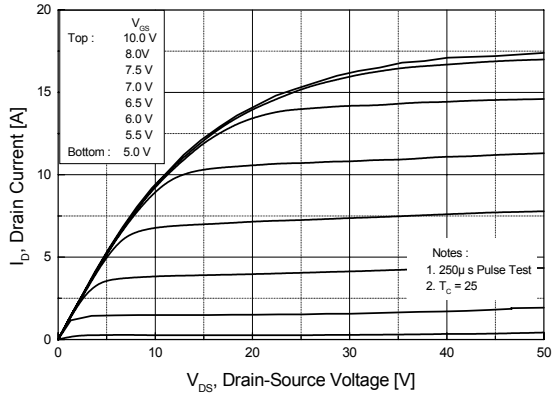


Figure 2. Transfer Characteristics

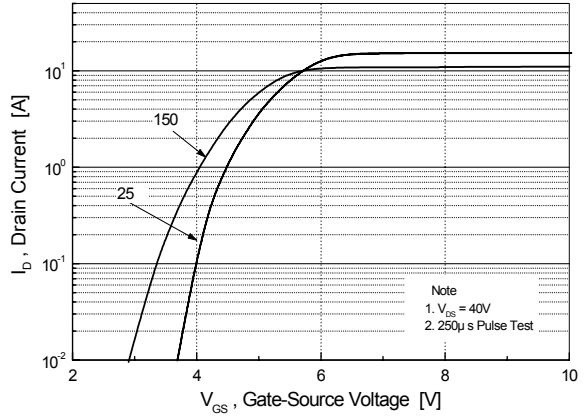


Figure 3. On-Resistance Variation vs. Drain Current and Gate Voltage

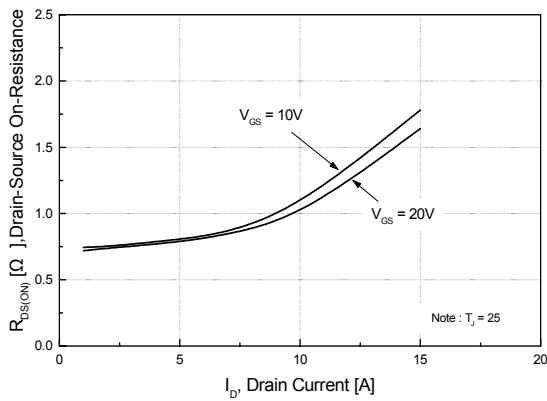


Figure 4. Body Diode Forward Voltage Variation vs. Source Current and Temperature

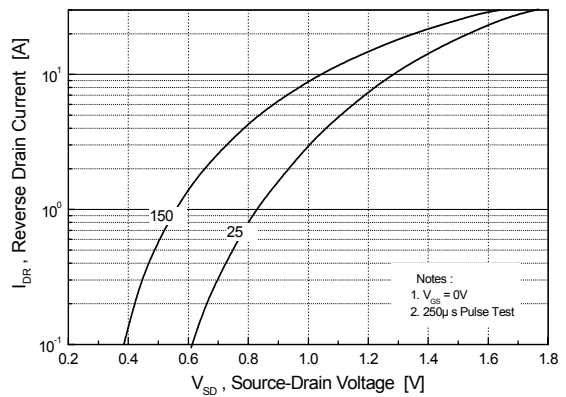


Figure 5. Capacitance Characteristics

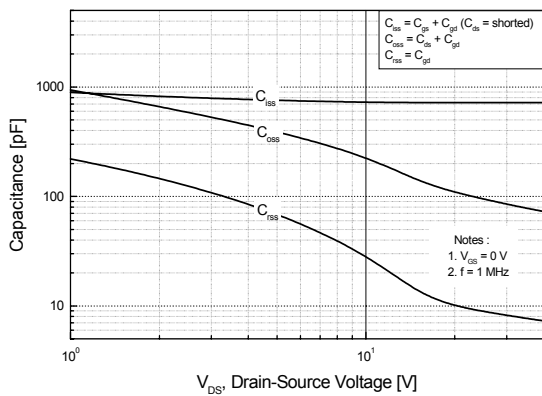
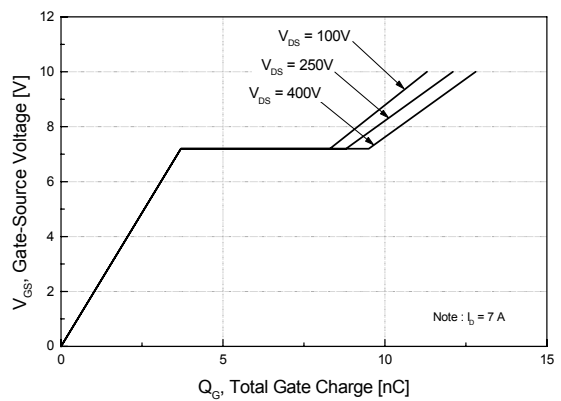


Figure 6. Gate Charge Characteristics



Typical Performance Characteristics (Continued)

Figure 7. Breakdown Voltage Variation vs. Temperature

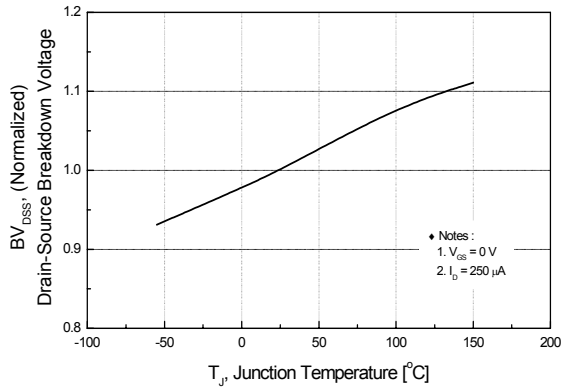


Figure 8. Maximum Drain Current Vs. Case Temperature

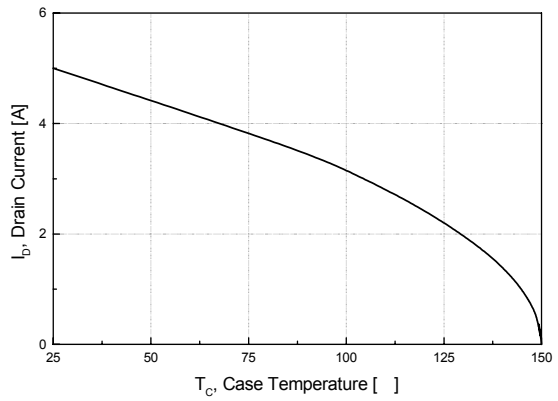


Figure 9-1. Maximum Safe Operating Area - FDP7N50U

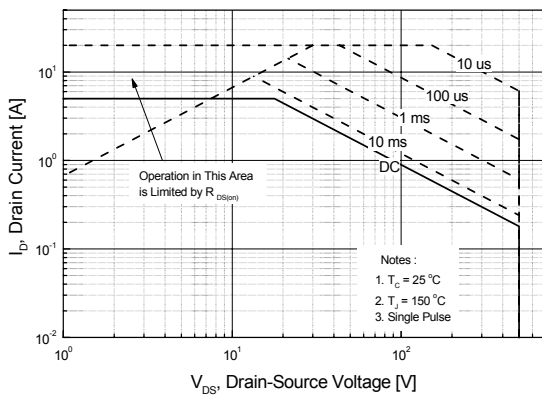


Figure 9-2. Maximum Safe Operating Area - FDPF7N50U

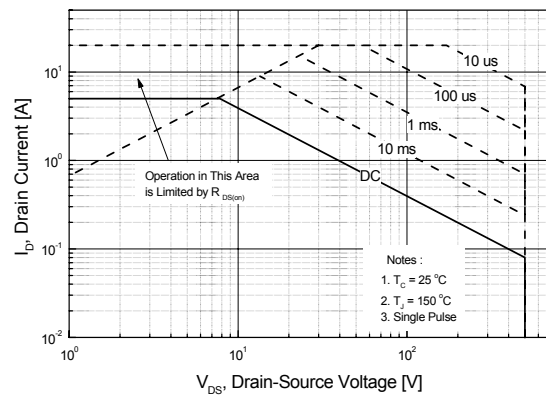


Figure 10-1. Transient Thermal Response Curve - FDP7N50U

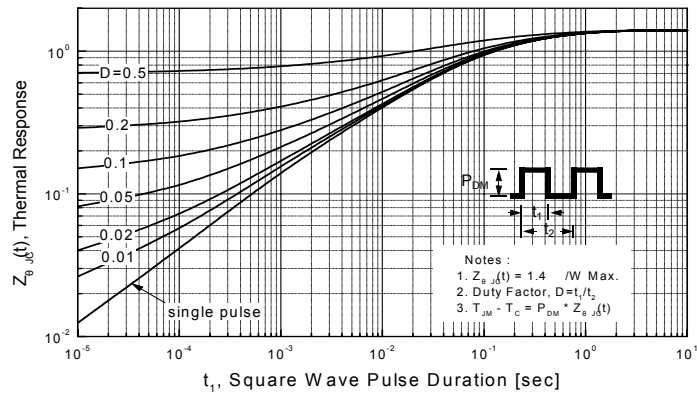
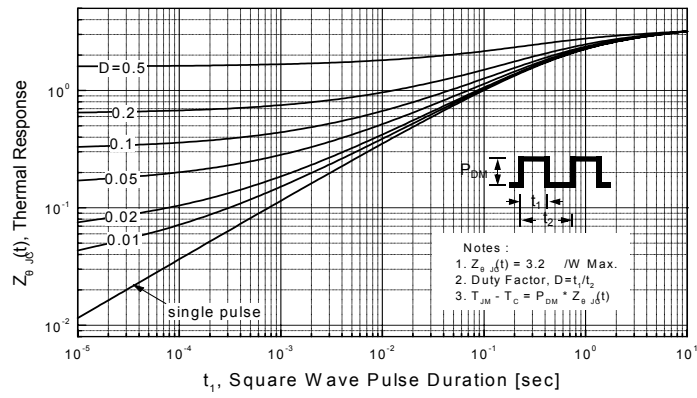
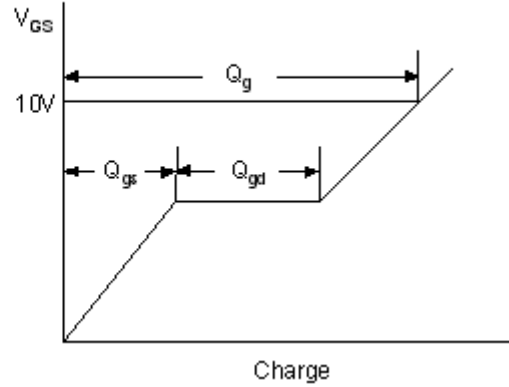
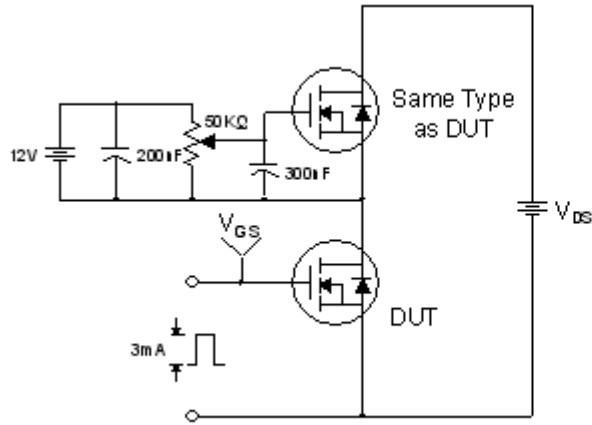


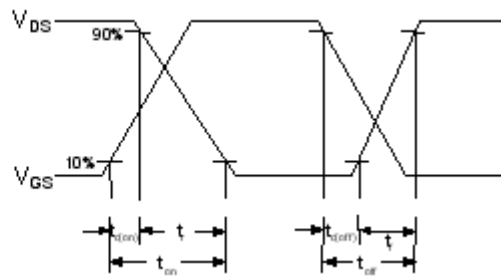
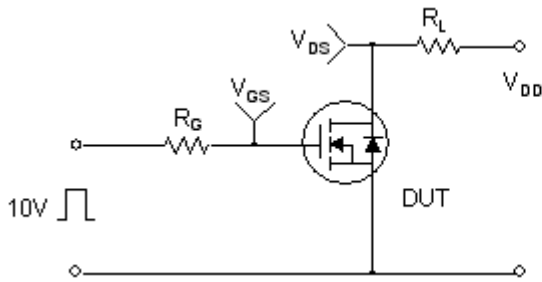
Figure 10-2. Transient Thermal Response Curve - FDPF7N50U



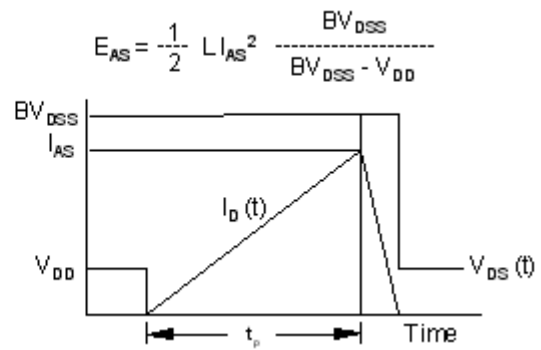
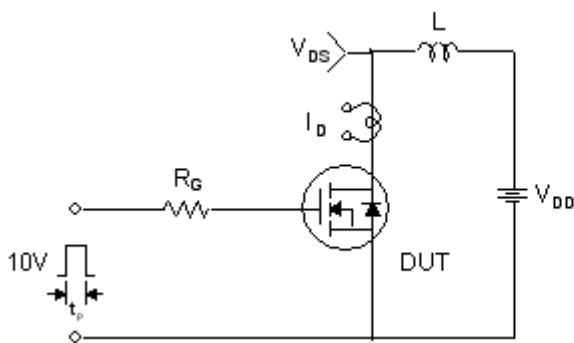
Gate Charge Test Circuit & Waveform



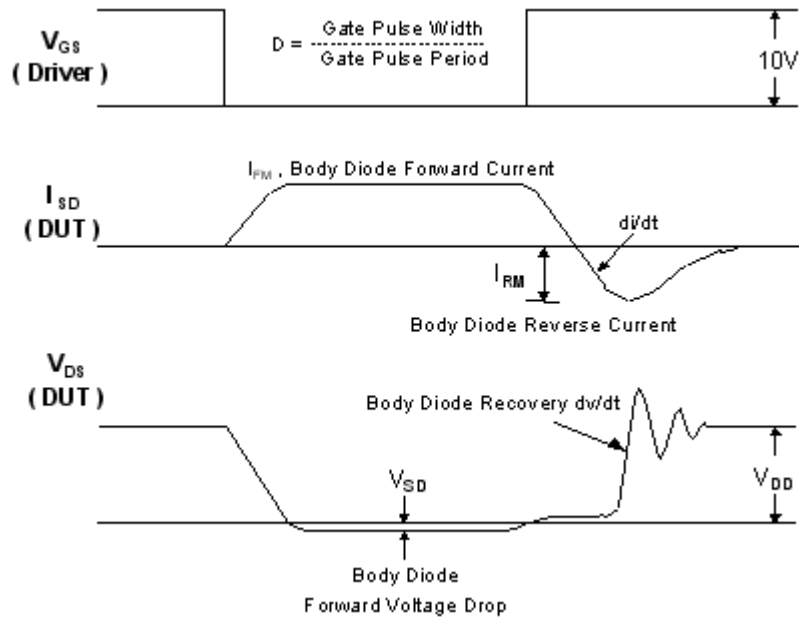
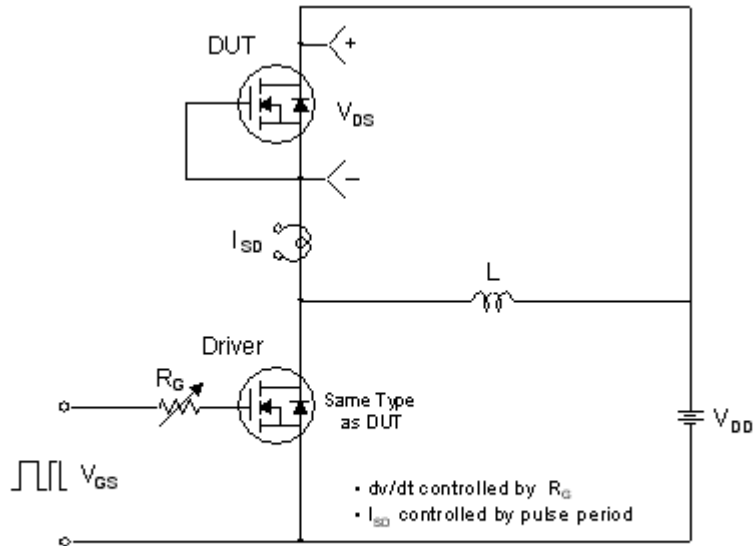
Resistive Switching Test Circuit & Waveforms



Unclamped Inductive Switching Test Circuit & Waveforms

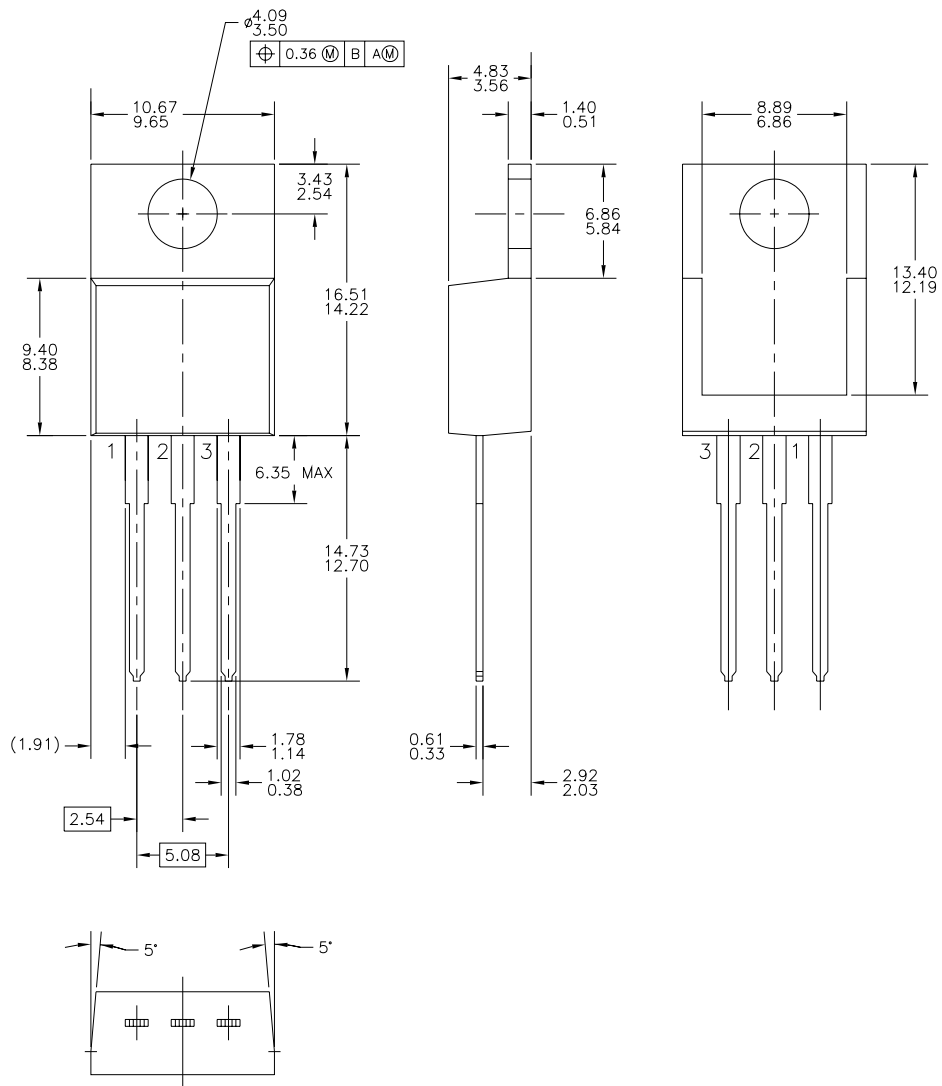


Peak Diode Recovery dv/dt Test Circuit & Waveforms



Mechanical Dimensions

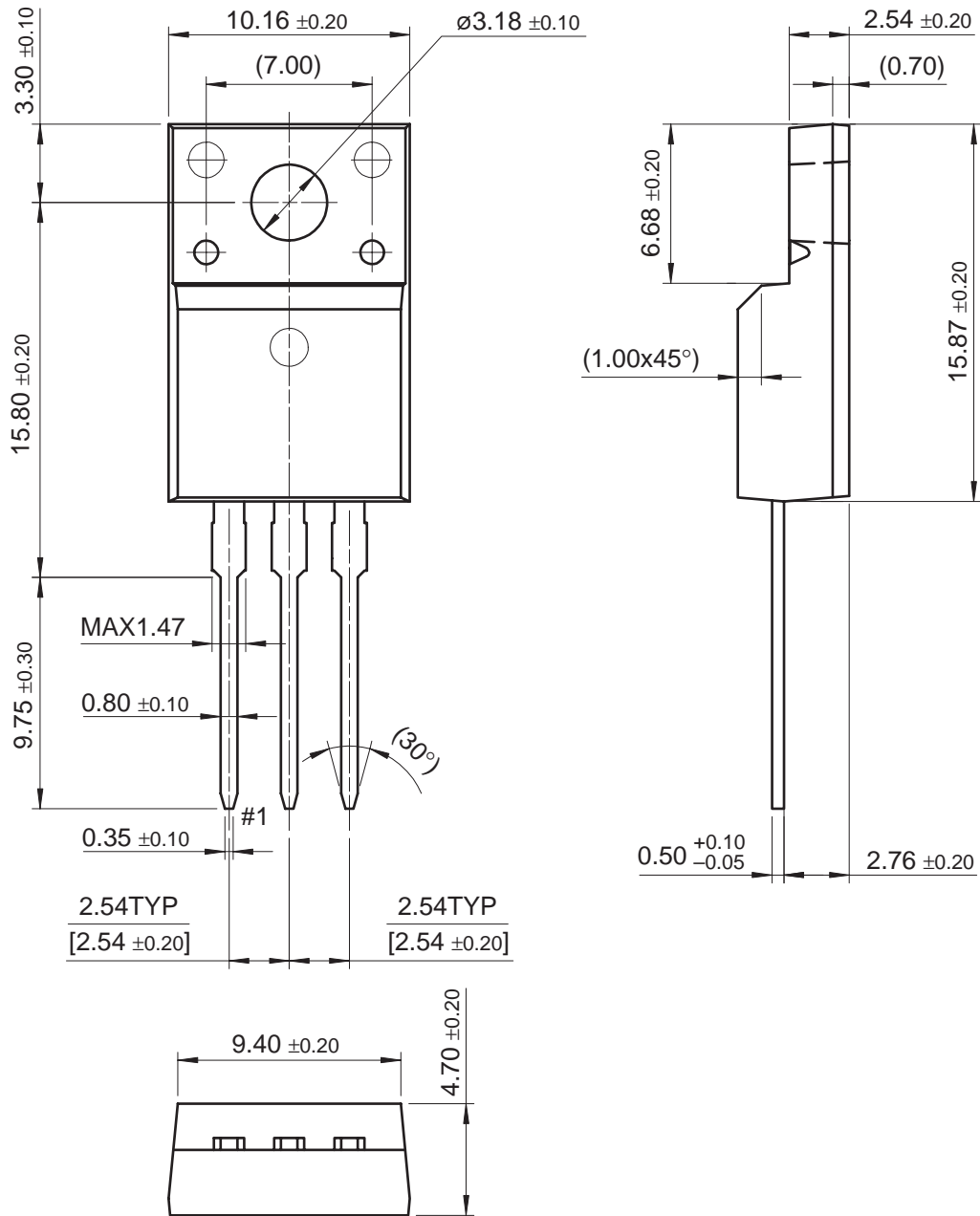
TO-220



Dimensions in Millimeters

Mechanical Dimensions (Continued)

TO-220F




Dimensions in Millimeters



TRADEMARKS

The following are registered and unregistered trademarks Fairchild Semiconductor owns or is authorized to use and is not intended to be an exhaustive list of all such trademarks.

| | | | |
|--|--------------------------------|---|-----------------------------|
| ACEx [®] | HiSeC [™] | Programmable Active Droop [™] | TinyLogic [®] |
| Across the board. Around the world. [™] | <i>i-Lo</i> [™] | QFET [®] | TINYOPTO [™] |
| ActiveArray [™] | ImpliedDisconnect [™] | QS [™] | TinyPower [™] |
| Bottomless [™] | IntelliMAX [™] | QT Optoelectronics [™] | TinyWire [™] |
| Build it Now [™] | ISOPLANAR [™] | Quiet Series [™] | TruTranslation [™] |
| CoolFET [™] | MICROCOUPLER [™] | RapidConfigure [™] | μSerDes [™] |
| CROSSVOLT [™] | MicroPak [™] | RapidConnect [™] | UHC [®] |
| CTL [™] | MICROWIRE [™] | ScalarPump [™] | UniFET [™] |
| Current Transfer Logic [™] | MSX [™] | SMART START [™] | VCX [™] |
| DOME [™] | MSXPro [™] | SPM [®] | Wire [™] |
| E ² CMOS [™] | OCX [™] | STEALTH [™] | |
| EcoSPARK [®] | OCXPro [™] | SuperFET [™] | |
| EnSigna [™] | OPTOLOGIC [®] | SuperSOT [™] -3 | |
| FACT Quiet Series [™] | OPTOPLANAR [®] | SuperSOT [™] -6 | |
| FACT [®] | PACMAN [™] | SuperSOT [™] -8 | |
| FAST [®] | POP [™] | SyncFET [™] | |
| FASTr [™] | Power220 [®] | TCM [™] | |
| FPS [™] | Power247 [®] | The Power Franchise [®] | |
| FRFET [®] | PowerEdge [™] |  ™ | |
| GlobalOptoisolator [™] | PowerSaver [™] | TinyBoost [™] | |
| GTO [™] | PowerTrench [®] | TinyBuck [™] | |

DISCLAIMER

FAIRCHILD SEMICONDUCTOR RESERVES THE RIGHT TO MAKE CHANGES WITHOUT FURTHER NOTICE TO ANY PRODUCTS HEREIN TO IMPROVE RELIABILITY, FUNCTION OR DESIGN. FAIRCHILD DOES NOT ASSUME ANY LIABILITY ARISING OUT OF THE APPLICATION OR USE OF ANY PRODUCT OR CIRCUIT DESCRIBED HEREIN; NEITHER DOES IT CONVEY ANY LICENSE UNDER ITS PATENT RIGHTS, NOR THE RIGHTS OF OTHERS. THESE SPECIFICATIONS DO NOT EXPAND THE TERMS OF FAIRCHILD'S WORLDWIDE TERMS AND CONDITIONS, SPECIFICALLY THE WARRANTY THEREIN, WHICH COVERS THESE PRODUCTS.

LIFE SUPPORT POLICY

FAIRCHILD'S PRODUCTS ARE NOT AUTHORIZED FOR USE AS CRITICAL COMPONENTS IN LIFE SUPPORT DEVICES OR SYSTEMS WITHOUT THE EXPRESS WRITTEN APPROVAL OF FAIRCHILD SEMICONDUCTOR CORPORATION.

As used herein:

1. Life support devices or systems are devices or systems which, (a) are intended for surgical implant into the body or (b) support or sustain life, and (c) whose failure to perform when properly used in accordance with instructions for use provided in the labeling, can be reasonably expected to result in a significant injury of the user.
2. A critical component in any component of a life support, device, or system whose failure to perform can be reasonably expected to cause the failure of the life support device or system, or to affect its safety or effectiveness.

PRODUCT STATUS DEFINITIONS

Definition of Terms

| Datasheet Identification | Product Status | Definition |
|--------------------------|------------------------|--|
| Advance Information | Formative or In Design | This datasheet contains the design specifications for product development. Specifications may change in any manner without notice. |
| Preliminary | First Production | This datasheet contains preliminary data; supplementary data will be published at a later date. Fairchild Semiconductor reserves the right to make changes at any time without notice to improve design. |
| No Identification Needed | Full Production | This datasheet contains final specifications. Fairchild Semiconductor reserves the right to make changes at any time without notice to improve design. |
| Obsolete | Not In Production | This datasheet contains specifications on a product that has been discontinued by Fairchild Semiconductor. The datasheet is printed for reference information only. |

Rev. I24