



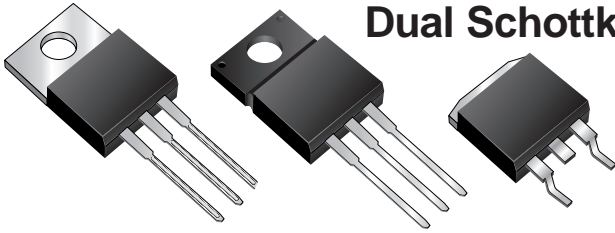
MBR15HxxCT, MBRF15HxxCT & MBRB15HxxCT Series

New Product

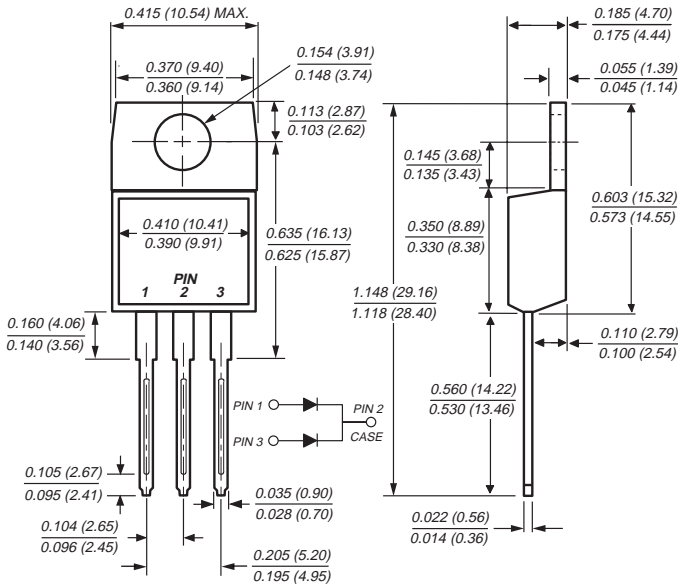
Vishay Semiconductors
formerly General Semiconductor

Dual Schottky Barrier Rectifiers

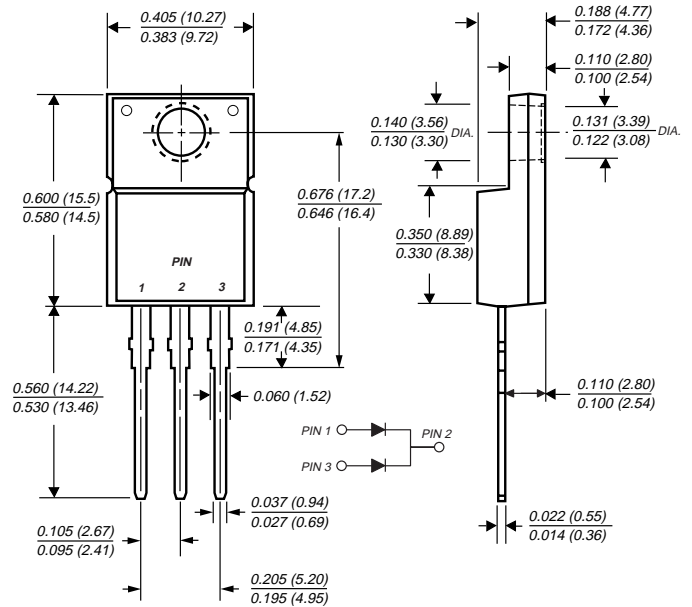
Reverse Voltage 35 to 60 V
Forward Current 15 A



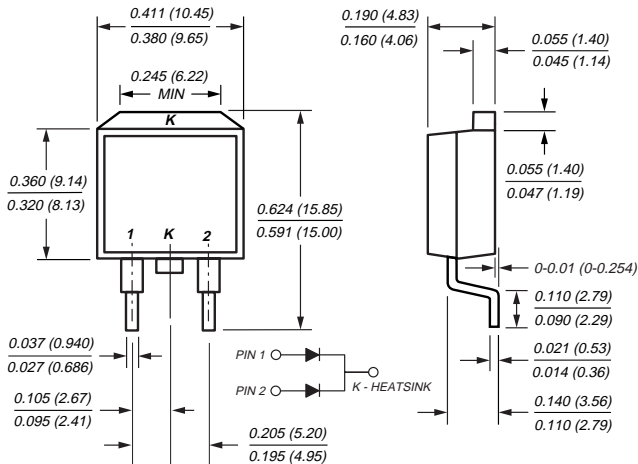
TO-220AB (MBR15HxxCT)



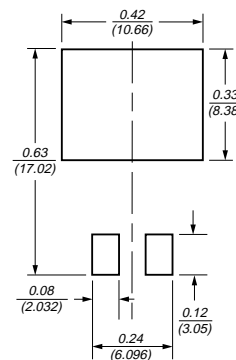
ITO-220AB (MBRF15HxxCT)



TO-263AB (MBRB15HxxCT)



Mounting Pad Layout TO-263AB



Dimensions in inches and (millimeters)

Mechanical Data

Case: JEDEC TO-220AB, ITO-220AB & TO-263AB molded plastic body

Terminals: Plated leads, solderable per MIL-STD-750, Method 2026

Polarity: As marked

Mounting Position: Any

Mounting Torque: 10 in-lbs maximum

Weight: 0.08 oz., 2.24 g

Features

- Plastic package has Underwriters Laboratory Flammability Classification 94 V-0
- Dual rectifier construction, positive center tap
- Metal silicon junction, majority carrier conduction
- Low forward voltage drop, low power loss and high efficiency
- Guardring for overvoltage protection
- For use in low voltage, high frequency inverters, free wheeling, and polarity protection applications
- High temperature soldering guaranteed: 250 °C/10 seconds, 0.25" (6.35 mm) from case
- Rated for reverse surge and ESD
- 175 °C maximum operation junction temperature

MBR15HxxCT, MBRF15HxxCT & MBRB15HxxCT Series



Vishay Semiconductors
formerly General Semiconductor

Maximum Ratings (T_C = 25 °C unless otherwise noted)

Parameter	Symbol	MBR15H35CT	MBR15H45CT	MBR15H50CT	MBR15H60CT	Unit
Maximum repetitive peak reverse voltage	V _{RRM}	35	45	50	60	V
Working peak reverse voltage	V _{RWM}	35	45	50	60	V
Maximum DC blocking voltage	V _{DC}	35	45	50	60	V
Max. average forward rectified current <small>(see figure 1)</small>	<i>Total device</i> I _{F(AV)} <i>Per leg</i>	15 7.5				A
Peak repetitive forward current at T _C = 155 °C per leg <small>(rated V_R, 20 KHz sq. wave)</small>	I _{FRM}	15				A
Non-repetitive avalanche energy per leg <small>at 25 °C, I_{AS} = 4A, L = 10 mH</small>	E _{AS}	80				mJ
Peak forward surge current 8.3 ms single half sine-wave <small>superimposed on rated load (JEDEC Method)</small>	I _{FSM}	150				A
Peak repetitive reverse surge current per leg <small>at t_p = 2.0 μs, 1 KHz</small>	I _{RRM}	1.0		0.5		A
Peak non-repetitive reverse energy (8/20 μs waveform)	E _{RSM}	20		10		mJ
Electrostatic discharge capacitor voltage <small>Human body model: C = 100 F, R = 1.5 kΩ</small>	V _C	25				kV
Voltage rate of change (rated V _R)	dv/dt	10,000				V/μs
Operating junction temperature range	T _J	-65 to +175				°C
Storage temperature range	T _{STG}	-65 to +175				°C
RMS Isolation voltage (MBRF type only) from terminals <small>to heatsink with t = 1.0 second, RH ≤ 30%</small>	V _{ISOL}	4500 ⁽¹⁾ 3500 ⁽²⁾ 1500 ⁽³⁾				V

Electrical Characteristics (T_C = 25 °C unless otherwise noted)

Parameter	Symbol	MBR15H35CT, MBR15H45CT		MBR15H50CT, MBR15H60CT		Unit
		Typ	Max	Typ	Max	
Maximum instantaneous forward voltage per leg ⁽⁴⁾ <small>at I_F = 7.5 A T_J = 25 °C at I_F = 7.5 A T_J = 125 °C at I_F = 15 A T_J = 25 °C at I_F = 15 A T_J = 125 °C</small>	V _F	– 0.50 – 0.61	0.63 0.55 0.75 0.66	– 0.58 – 0.68	0.73 0.61 0.87 0.72	V
Maximum instantaneous reverse current <small>at rated DC blocking voltage per leg⁽⁴⁾</small>	I _R	– 3.0	50 10	– 2.0	50 10	μA mA

Thermal Characteristics (T_C = 25 °C unless otherwise noted)

Parameter	Symbol	MBR	MBRF	MBRB	Unit
Maximum thermal resistance per leg	R _{θJC}	3.0	5.0	3.0	°C/W

Notes:

- (1) Clip mounting (on case), where lead does not overlap heatsink with 0.110" offset
 (2) Clip mounting (on case), where leads do overlap heatsink
 (3) Screw mounting with 4-40 screw, where washer diameter is ≤ 4.9 mm (0.19")
 (4) Pulse test: 300 μs pulse width, 1% duty cycle

Ordering Information

Product	Case	Package Code	Package Option
MBR15H35CT – MBR15H60CT	TO-220AB	45	Anti-Static tube, 50/tube, 2K/carton
MBRF15H35CT – MBRF15H60CT	ITO-220AB	45	Anti-Static tube, 50/tube, 2K/carton
MBRB15H35CT – MBRB15H60CT	TO-263AB	31	13" reel, 800/reel, 4.8K/carton
		45	Anti-Static tube, 50/tube, 2K/carton
		81	Anti-Static 13" reel, 800/reel, 4.8K/carton



Ratings and Characteristic Curves ($T_A = 25^\circ\text{C}$ unless otherwise noted)

Fig. 1 – Forward Current Derating Curve

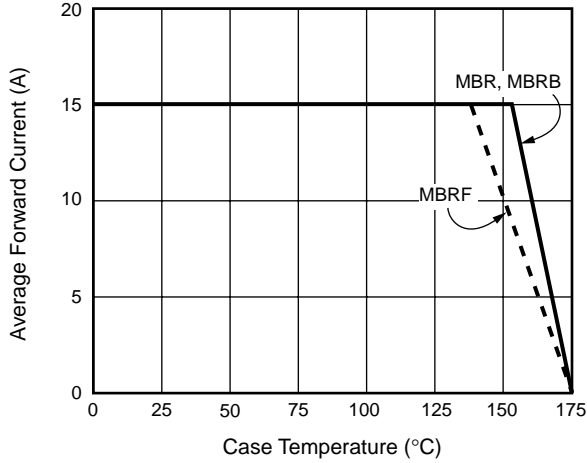


Fig. 2 – Maximum Non-Repetitive Peak Forward Surge Current Per Leg

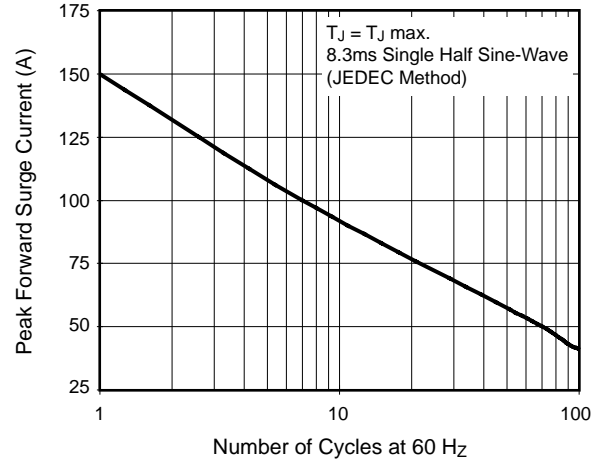


Fig. 3 – Typical Instantaneous Forward Characteristics Per Leg

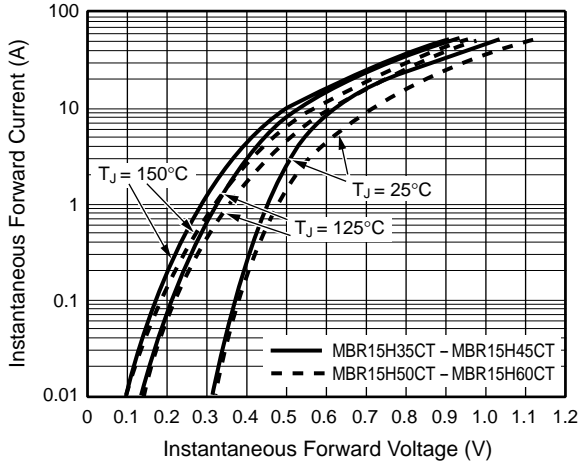


Fig. 4 – Typical Reverse Characteristics Per Leg

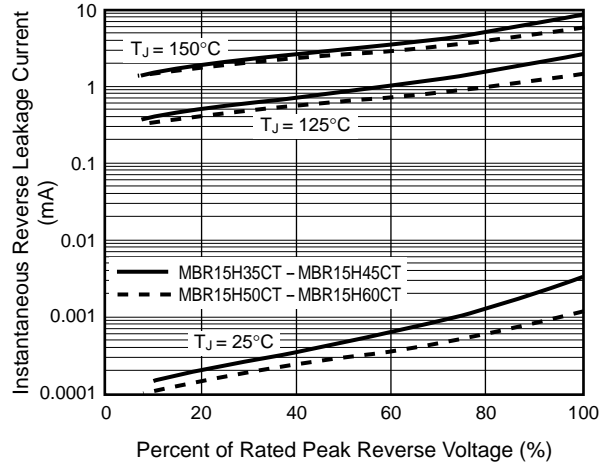


Fig. 5 – Typical Junction Capacitance Per Leg

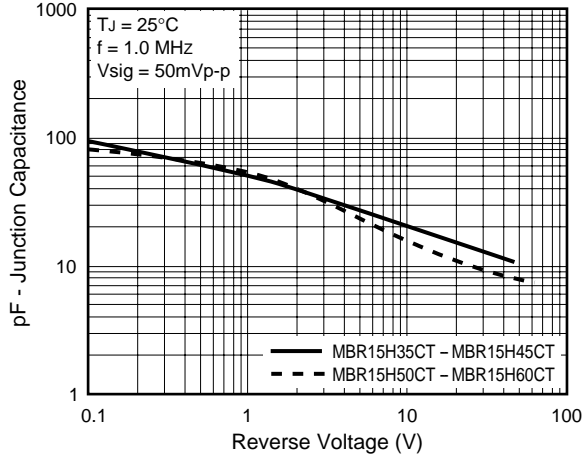


Fig. 6 – Typical Transient Thermal Impedance Per Leg

