

**VI TELEFILTER****Filter Specification****TFS 170 L****1/5****Measurement condition**

Ambient temperature: 23 °C  
 Input power level: 0 dBm  
 Terminating impedance:  
   source: 1,47 kΩ || -7.1 pF  
   load: 610 Ω || -9,9 pF

**Characteristics****Remark:**

Reference level for the relative attenuation  $a_{rel}$  of the TFS 170 L is the minimum of the pass band attenuation  $a_{min}$ . The minimum of the pass band attenuation  $a_{min}$  is defined as the insertion loss  $a_e$ . The nominal frequency  $f_N$  is fixed to 170,6 MHz. The given values for the relative attenuation  $a_{rel}$  and for the group delay ripple have to be reached at the frequencies given below also if the centre frequency  $f_C$  is shifted due to the temperature coefficient of frequency  $TC_f$  in the operating temperature range and due to a production tolerance for the centre frequency  $f_C$ .

<b>D a t a</b>		<b>typ. Value</b>	<b>Limit</b>
<b>Insertion Loss</b> (Reference Level)	$a_e = a_{min}$	5 dB	max. 8 dB
<b>Nominal Frequency</b>	$f_N$	-	170,6 MHz
<b>Relative Attenuation</b>	$a_{rel}$		
$f_N \pm 90$ kHz		0,2 dB	max. 1 dB
$f_N \pm 400$ kHz ... $f_N \pm 600$ kHz		18 dB	min. 13 dB
$f_N \pm 600$ kHz ... $f_N \pm 800$ kHz		35 dB	min. 27 dB
$f_N \pm 800$ kHz... $f_N \pm 1,6$ MHz		42 dB	min. 40 dB
$f_N \pm 1,6$ MHz... $f_N \pm 3,0$ MHz		47 dB	min. 43 dB
$f_N \pm 3,0$ MHz... $f_N \pm 5,8$ MHz		52 dB	min. 47 dB
$f_N \pm 5,8$ MHz... $f_N \pm 35$ MHz		57 dB	min. 50 dB
$f_N \pm 35$ MHz... $f_N \pm 75$ MHz		>70 dB	min. 45 dB
$f_N \pm 75$ MHz... $f_N \pm 2$ GHz		>55 dB	min. 40 dB
<b>Group Delay</b>	GD		
Group Delay Ripple $f_N \pm 90$ kHz		0,2 μs	max. 1 μs
<b>Operating Temperature Range</b>			-10 ... 85° C
<b>Storage Temperature Range</b>			-40 ... 85° C
<b>Input power</b>			max. 10 dBm
<b>Permissible DC voltage</b>			max. 30 V *)
<b>Temperature Coefficient</b>	TC	- 0,036 ppm/K <sup>2</sup>	-

\*) between any two terminals

**generated:** \_\_\_\_\_**checked / approved:** \_\_\_\_\_

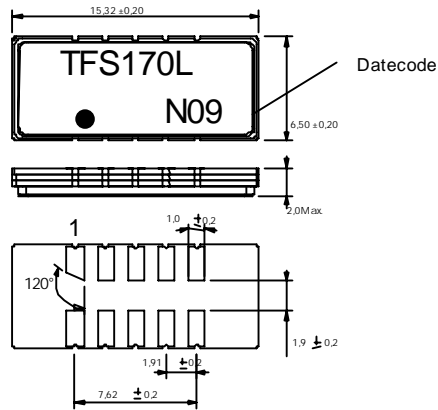
**VI TELEFILTER**  
 Potsdamer Straße 18  
 D 14 513 TELTOW / Germany  
 Tel: (+49) 3328 4784-0 / Fax: (+49) 3328 4784-30  
 598-0075  
 E-Mail: [tft@telefilter.com](mailto:tft@telefilter.com)

**Vectron International, Inc.**  
 267 Lowell Road  
 Hudson, NH 03051 / USA  
 Tel: (603) 598-0070 Fax: (603)  
 598-0075  
 E-Mail: [vti@vtinh.com](mailto:vti@vtinh.com)

VI TELEFILTER reserves the right to make changes to the product(s) and/or information contained herein without notice. No liability is assumed as a result of their use or application. No rights under any patent accompany the sale of any such product(s) or information.

**Construction and Pin Connection**

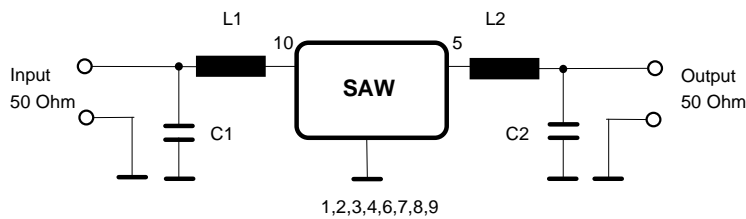
(All dimensions in mm)



- 1 Input RF return
- 2 Ground
- 3 Ground
- 4 Ground
- 5 Output
- 6 Output RF return
- 7 Ground
- 8 Ground
- 9 Ground
- 10 Input

Datecode:	Year+week
L	1999
M	2000
N	2001
...	

**50 Ω matching circuit**



**VI TELEFILTER**  
 Potsdamer Straße 18  
 D 14 513 TELTOW / Germany  
 Tel: (+49) 3328 4784-0 / Fax: (+49) 3328 4784-30  
 598-0075  
 E-Mail: [tft@telefilter.com](mailto:tft@telefilter.com)

**Vectron International, Inc.**  
 267 Lowell Road  
 Hudson, NH 03051 / USA  
 Tel: (603) 598-0070 Fax: (603)  
 E-Mail: [vti@vtinh.com](mailto:vti@vtinh.com)

VI TELEFILTER reserves the right to make changes to the product(s) and/or information contained herein without notice. No liability is assumed as a result of their use or application. No rights under any patent accompany the sale of any such product(s) or information.

**Stability Characteristics**

After the following tests the filter shall meet the whole specification:

1. Shock: 500g, 18 ms, half sine wave, 3 shocks each plane;  
DIN IEC 68 T2 – 27
2. Vibration: 10 Hz to 500 Hz, 0,35 mm or 5g respectively, 1 octave per min, 10 cycles per plan, 3 plans;  
DIN IEC 68 T2 – 6
3. Damp heat: 25 °C to 55°C / 95% r.H. / 10 cycles  
(cycle) DIN IEC 68 – 2 – 30 Db
4. Resistance to solder heat (reflow): max. 2 times reflow process;  
for temperature conditions refer to the attached "Air reflow temperature conditions" on page 4;

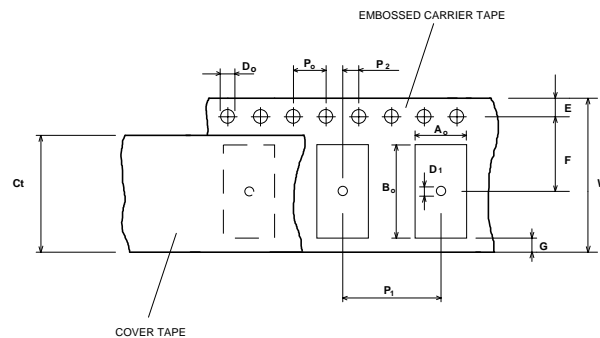
**Packing**

Tape & Reel: DIN IEC 286 – 3, with exception of value for N and minimum bending radius;  
tape type II, embossed carrier tape with top cover tape on the upper side;

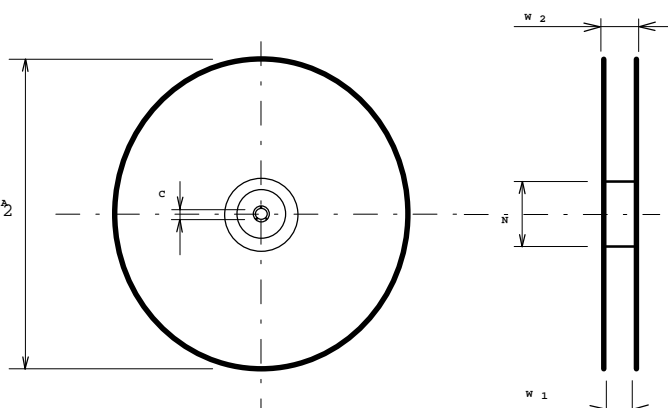
max. pieces of filters per reel:	2000
Reel of empty components at start:	min 300 mm
Reel of empty components at start including leader:	min 500 mm
Trailer	min 300 mm

**Tape (all dimensions in mm)**

W : 24 ± 0,3  
 Po : 4 ± 0,1  
 Do : 1,5 + 0,1  
 E : 1,75 ± 0,1  
 F : 11,5 ± 0,1  
 G (min) : 0,60  
 P2 : 2 ± 0,1  
 P1 : 12 ± 0,1  
 D1(min) : 1,5  
 Ao : 7,1 ± 0,2  
 Bo : 15,9 ± 0,2  
 Ct : 21,5 ± 0,1

**Reel (all dimensions in mm):**

A : 330  
 W1 : 24,40 + 2,0  
 W2 (max) : 30,4  
 N (min) : 60  
 C : 13 0,5 / -0,2



The minimum bending radius is 45 mm. The mounting surface of the filters faces the bottom side of the embossed carrier tape. The marking of the filters is able to read if the view is directed on the upper side of the carrier tape with the sprocket holes on the right side of the tape.

**VI TELEFILTER**  
 Potsdamer Straße 18  
 D 14 513 TELTOW / Germany  
 Tel: (+49) 3328 4784-0 / Fax: (+49) 3328 4784-30  
 598-0075  
 E-Mail: [tft@telefilter.com](mailto:tft@telefilter.com)

**Vectron International, Inc.**  
 267 Lowell Road  
 Hudson, NH 03051 / USA  
 Tel: (603) 598-0070 Fax: (603)  
 598-0075  
 E-Mail: [vti@vtinh.com](mailto:vti@vtinh.com)

VI TELEFILTER reserves the right to make changes to the product(s) and/or information contained herein without notice. No liability is assumed as a result of their use or application. No rights under any patent accompany the sale of any such product(s) or information.

**Air reflow temperature conditions**1<sup>st</sup> and 2<sup>nd</sup> air reflow profile

Name:	pre-heating periods	main-heating periods	peak temperature
Temperature:	150 °C – 170 °C	over 200 °C	255 °C ± 5 °C
Time:	60 sec. – 90 sec.	20 sec. – 25 sec.	

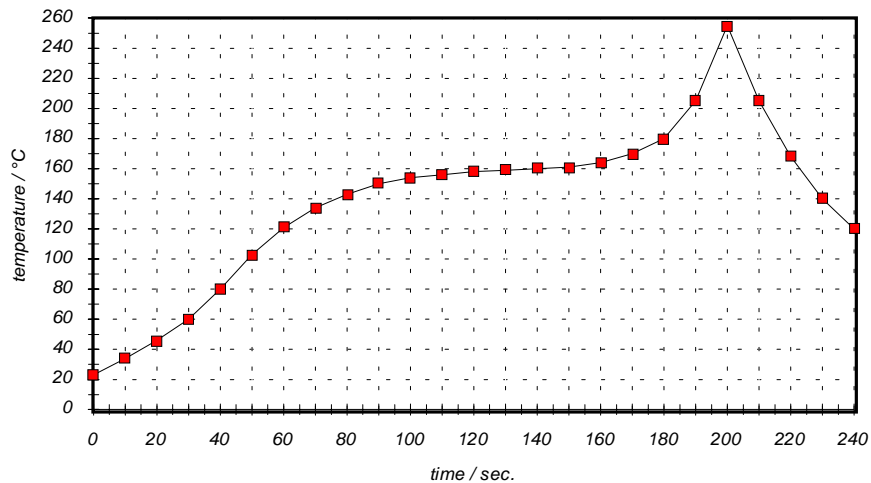
**Chip-mount air reflow profile**

Table for temperature vs. Time during the air reflow process

Tolerance of temperatures: ± 5 °C

time / sec.	Temperature / °C	time / sec.	Temperature / °C
0	23	140	160
10	34	150	161
20	46	160	164
30	60	170	170
40	80	180	180
50	103	190	205
60	121	195	230
70	134	200	255
80	143	205	230
90	150	210	205
100	154	215	180
110	156	220	165
120	158	230	140
130	159	240	120

---

**VI TELEFILTER****Filter Specification****TFS 170 L****5/5**

---

**History**

<b>Version</b>	<b>Reason of Changes</b>	<b>Name</b>	<b>Date</b>
2.0	- modification according to new customer specification	Steiner	28.02.2001

---

**VI TELEFILTER**  
Potsdamer Straße 18  
D 14 513 TELTOW / Germany  
Tel: (+49) 3328 4784-0 / Fax: (+49) 3328 4784-30  
598-0075  
E-Mail: [tft@telefilter.com](mailto:tft@telefilter.com)

---

**Vectron International, Inc.**  
267 Lowell Road  
Hudson, NH 03051 / USA  
Tel: (603) 598-0070 Fax: (603)  
E-Mail: [vti@vtinh.com](mailto:vti@vtinh.com)

---

VI TELEFILTER reserves the right to make changes to the product(s) and/or information contained herein without notice. No liability is assumed as a result of their use or application. No rights under any patent accompany the sale of any such product(s) or information.