

# UTC KA22427 LINEAR INTEGRATED CIRCUIT

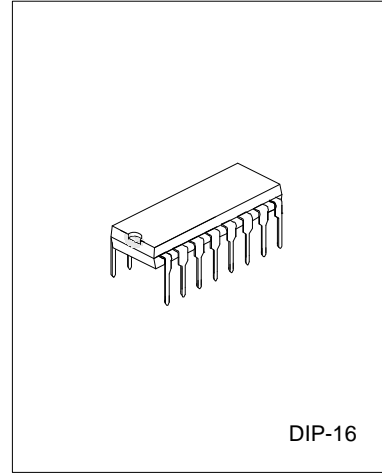
## I-CHIP AM/FM RADIO IC

### DESCRIPTION

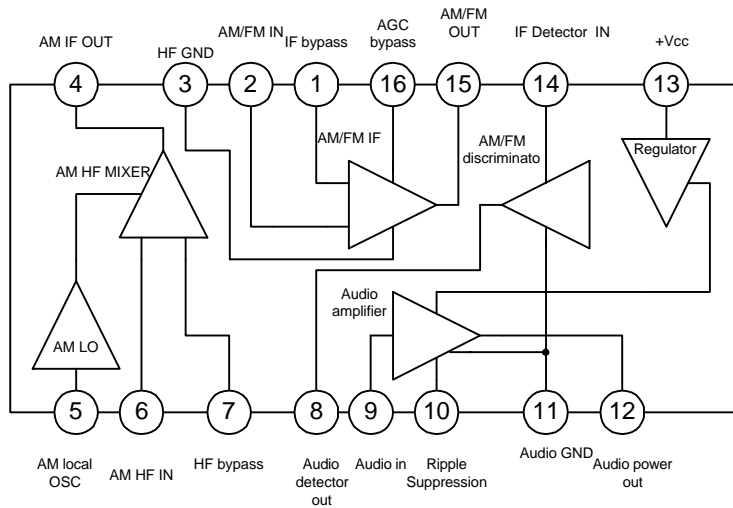
UTC KA22427 is a one-chip AM/FM radio integrated circuit that is suitable for portable radio applications. It includes AM amplifier, local OSC, AM mixer, AM/FM amplifier, AM AGE, FM AGE circuit and also class b Audio Power Amplifier.

### FEATURES

- \*Low external components count.
- \*Wide operating voltage : 3 - 13 V.
- \*Internal regulated supply for constant current operation.
- \*DC selection of AM/FM mode.



### BLOCK DIAGRAM



### ABSOLUTE MAXIMUM RATING(Ta=25°C)

PARAMETER	SYMBOL	VALUE	UNIT
SUPPLY VOLTAGE	VCC	11	V
SUPPLY CURRENT	ICC	44	mA
POWER DISSIPATION	PD	600	mW
THERMAL RESISTANCE	RJ-A	100	°C/W
OPERATING TEMPERATURE	TOPX	-18~65	°C
STORAGE TEMPERATURE	TSTG	-40~125	°C

NOTE: Ta>25°C, DERATE WITH 10mW/°C UNLESS SPECIFIED.

# UTC KA22427 LINEAR INTEGRATED CIRCUIT

## ELECTRICAL CHARACTERISTICS

PARAMETER	SYMBOL	TEST CONDITIONS	MIN	TYP	MAX	UNIT
Quiescent Circuit Current	ICCQ	SW1→FM, VCC=3V	7	12	17	mA
		SW1→FM, VCC=9V	10	17	23	
Pin 16 Terminal Voltage	V16(FM)	SW1→FM, ICC=42mA	2.0	2.4	3.1	V
Limiting Voltage	VIN(lim)	SW1→FM, VCC=5.5V, -3dB V16=2.4V, VR=Min.		57		dBμV
Internal Regulated Voltage	VCC	SW1→AM, ICC=42mA	12.5	13.2	14.0	V
Pin 16 Voltage	V16(AM)	SW1→AM, VCC=9V	1.4		1.9	V
Signal to Noise Ratio	VO	SW1→AM, VCC=12V, VIN=37dB SW2→45Ω, V16=1.4V	1.5	3.0		V
Maximum Sensitivity	S/N	SW1→AM, VCC=5.5V, SW2→8Ω, VIN=37.5dB	15	20		dB
Power Output	POUT	SW2→8Ω, VCC=5.5V, f=1KHZ VR=Min. THD=10%	0.28			W
Total Harmonic Distortion	THD	SW2→45Ω, ICC=42mA, f=1KHZ VR=Min. VOUT=2V		0.5	4.0	%
Voltage Gain	GV	SW2→8Ω, VCC=5.5V, f=1KHZ VR=Min.		40		dB

## INPUT - OUTPUT IMPEDANCE (Ta=25°C, VCC=6V)

PARAMETER	SYMBOL	TEST CONDITIONS	MIN	TYP	MAX	UNIT
Pin 2 Input ( AM )	Rip2(AM)	f=465KHZ		200		KΩ
Impedance ( AM )	Cip2(AM)	f=465KHZ		3		pF
Pin 2 Input ( FM )	Rip2(FM)	f=10.7MHZ		30		KΩ
Impedance ( FM )	Cip2(FM)	f=10.7MHZ		3.5		pF
Pin 4 Output	Rop4	f=465KHZ		300		KΩ
Impedance	Cop4	f=465KHZ		6		pF
Pin 6 Input	Rip6	f=1MHZ		50		KΩ
Impedance	Cip6	f=1MHZ		5		pF
Pin 14 Input ( AM )	Rip14(AM)	f=465KHZ		300		KΩ
Impedance ( AM )	Cip14(AM)	f=465KHZ		3.5		pF
Pin14 Input ( FM )	Rip14(FM)	f=10.7MHZ		300		KΩ
Impedance ( FM )	Cip14(FM)	f=10.7MHZ		4		pF
Pin15 Output ( AM )	Rop15(AM)	f=465KHZ		300		KΩ
Impedance ( AM )	Cop15(AM)	f=465KHZ		5.5		pF
Pin15 Output ( FM )	Rop15(FM)	f=10.7MHZ		300		KΩ
Impedance ( FM )	Cop15(FM)	f=10.7MHZ		6		pF

# UTC KA22427 LINEAR INTEGRATED CIRCUIT

## TEST CIRCUIT

