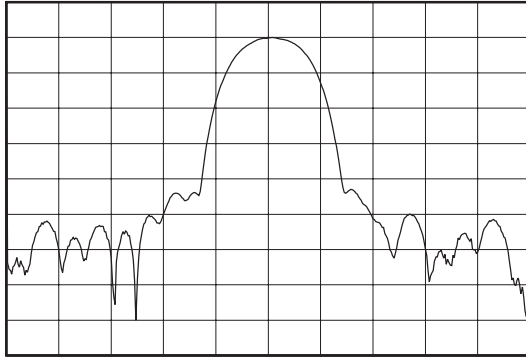
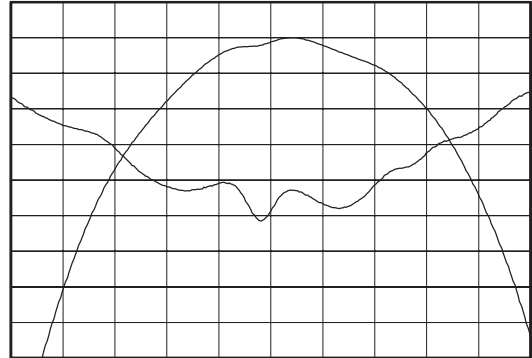


Data Sheet

Typical Performance



Horizontal: 400 kHz/Div
Vertical: 10 dB/Div



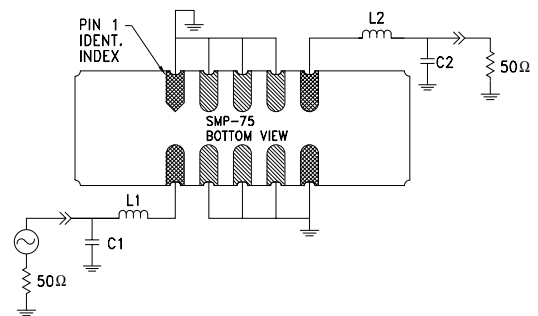
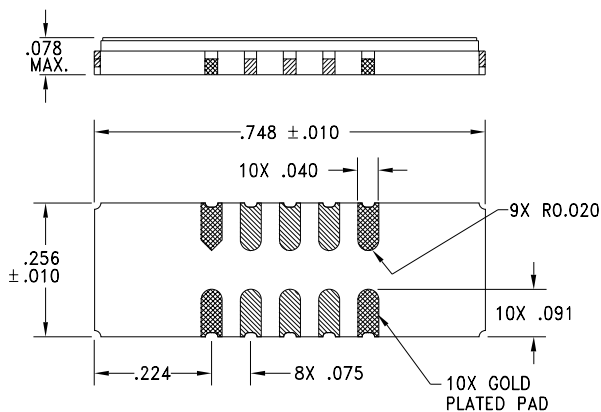
Horizontal: 70 kHz/Div
Vertical: 1 dB/Div
Vertical: 200 nsec/Div

Specifications

Parameter	Unit	Minimum	Typical	Maximum
Center Frequency	MHz	-	199	-
Insertion Loss	dB	-	6	7.5
1 dB Lower Frequency	MHz	-	198.892	-
1 dB Upper Frequency	MHz	-	199.152	-
35 dB Lower Frequency	MHz	198.4	198.506	-
35 dB Upper Frequency	MHz	-	199.534	199.6
45 dB Lower Frequency	MHz	198.2	198.292	-
45 dB Upper Frequency	MHz	-	199.72	199.8
Passband Variation	dB	-	0.24	1
Group Delay Variation(198.9 - 199.1 MHz)	nsec	-	245	500
Rejection ($f_0 \pm 800$ kHz - $f_0 \pm 80$ MHz)	dB	45	49	-
Substrate Material	-	-	Quartz	-
Operating Temperature Range	°C	-10	25	85

Package Outline

Matching Configuration



L1 = 33 nH , L2 = 33 nH
C1 = 22 pf , C2 = 33 pf
Nominal Source/Load Impedance = 50Ω
Package Style SMP-75

12/1/99