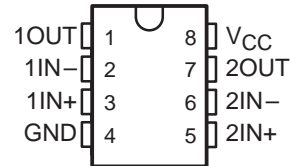


TL393, TL393Y DUAL DIFFERENTIAL COMPARATORS

SLCS120A – AUGUST 1993 – REVISED DECEMBER 1993

- **Low-Voltage and Single-Supply Operation**
 $V_{CC} = 2\text{ V to }7\text{ V}$
- **Common-Mode Voltage Range That Includes Ground**

**D, P, OR PW PACKAGE
(TOP VIEW)**



description

The TL393 is a dual differential comparator built using a new Texas Instruments-developed bipolar process. The TL393 is intended as an enhanced alternative to the industry-standard LM393 in circuits with supply-voltage limits of 7 V.

The new bipolar process allows the TL393 to perform with lower supply-current requirements than the LM393 (0.7 mA typical) while still providing a faster response time than the older device.

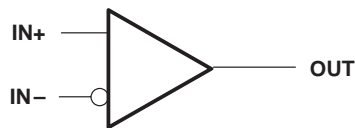
Package availability for this device includes the TSSOP (thin-shrink small-outline package). With a maximum thickness of 1.1 mm and a package area that is 25% smaller than the standard surface-mount package, the TSSOP is ideal for high-density circuits, particularly in hand-held and portable equipment.

AVAILABLE OPTIONS

T _A	SUPPLY CURRENT (TYP)	RESPONSE TIME (TYP)	PACKAGED DEVICES			CHIP FORM (Y)
			SMALL OUTLINE (D)	PLASTIC DIP (P)	TSSOP (PW) [†]	
-40°C to 105°C	0.7 mA	0.65 μs	TL393ID	TL393IP	TL393IPWLE	TL393Y

[†] The PW packages are only available left-ended taped and reeled (e.g., TL393IPWLE).

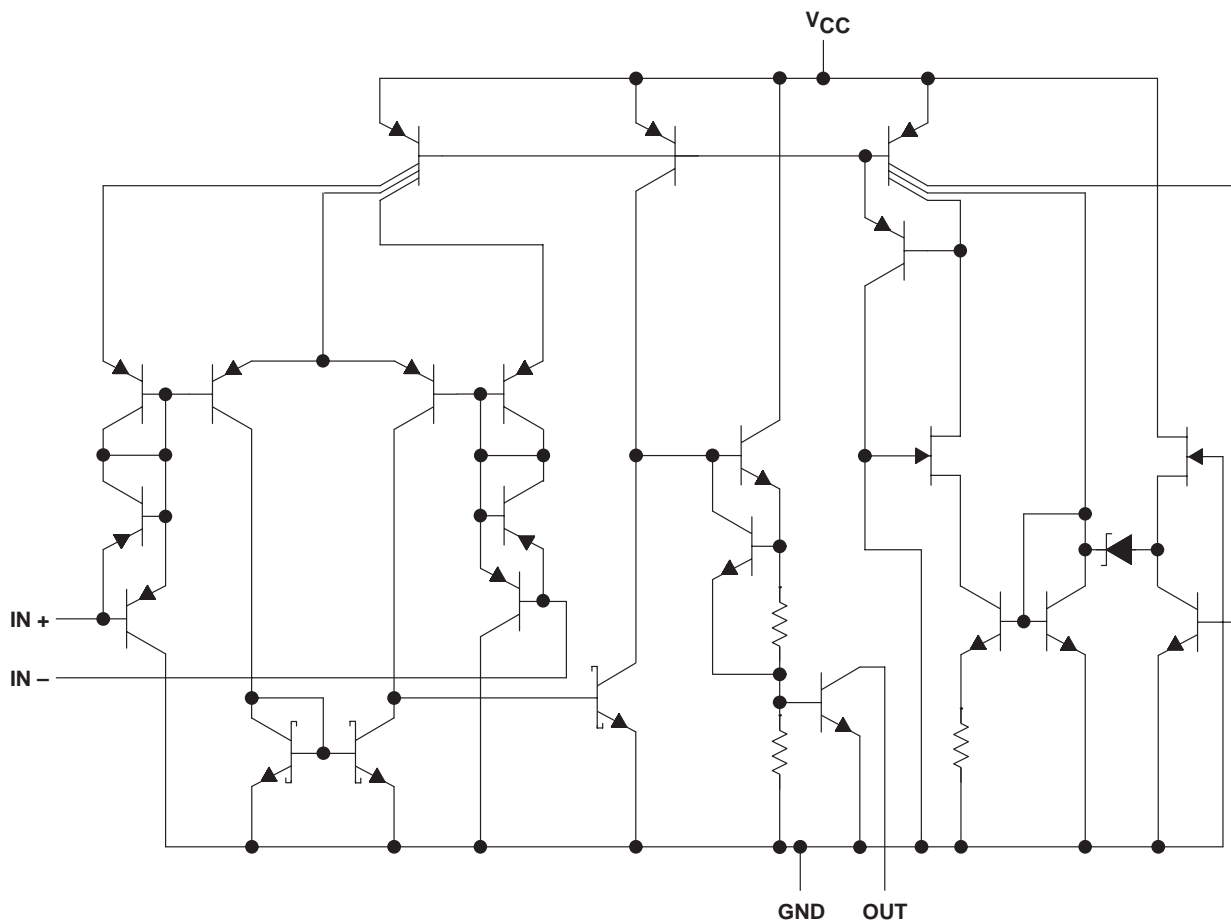
symbol (each comparator)



TL393, TL393Y DUAL DIFFERENTIAL COMPARATORS

SLCS120A – AUGUST 1993 – REVISED DECEMBER 1993

equivalent schematic (each comparator)



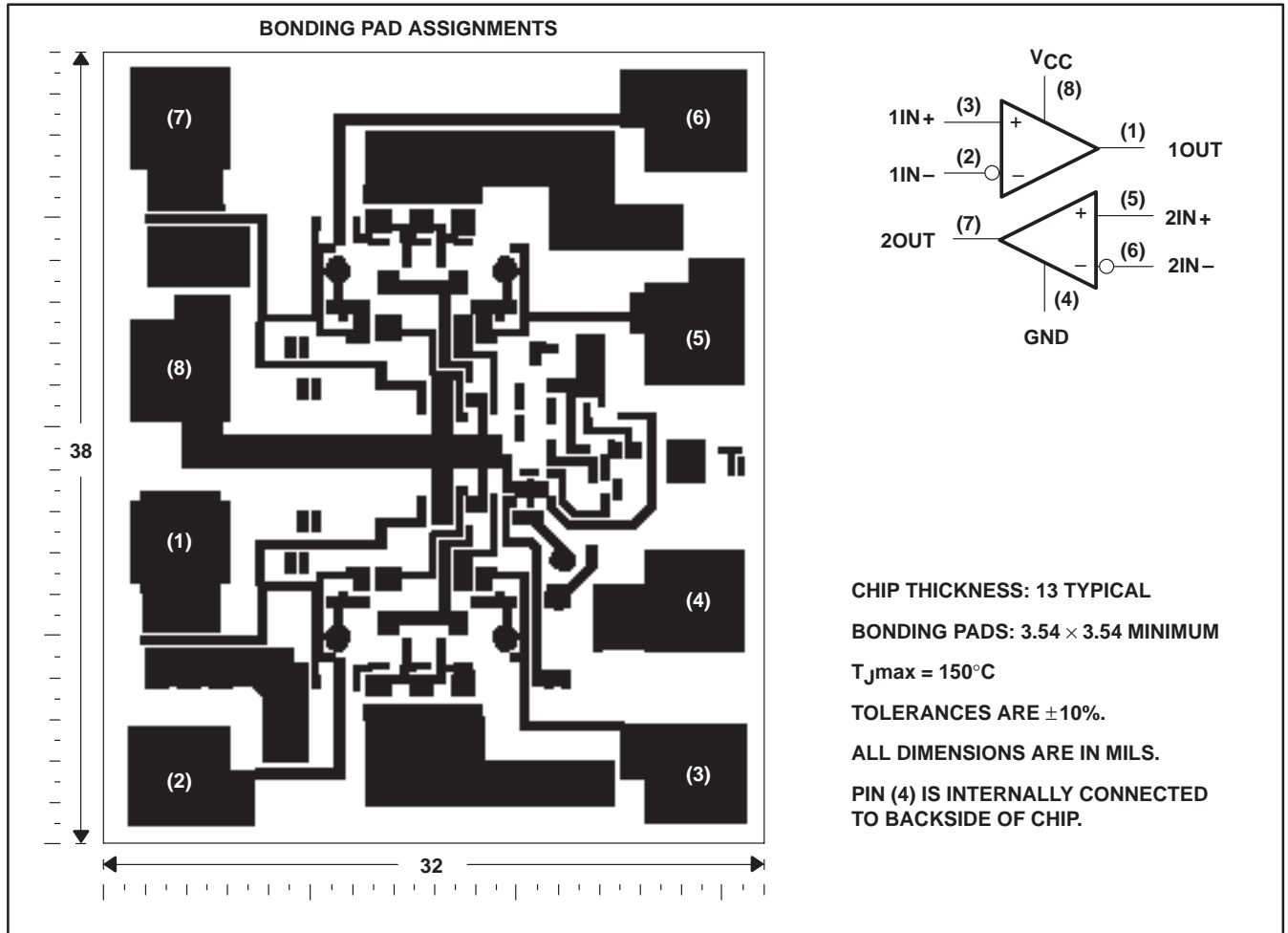
COMPONENT COUNT	
Transistors	48
Resistors	5
Diodes	7
Epi-FETs	2

TL393, TL393Y DUAL DIFFERENTIAL COMPARATORS

SLCS120A – AUGUST 1993 – REVISED DECEMBER 1993

TL393Y chip information

This chip, when properly assembled, displays characteristics similar to the TL393. Thermal compression or ultrasonic bonding may be used on the doped-aluminum bonding pads. Chips may be mounted with conductive epoxy or a gold-silicon preform.



TL393, TL393Y

DUAL DIFFERENTIAL COMPARATORS

SLCS120A – AUGUST 1993 – REVISED DECEMBER 1993

absolute maximum ratings over operating free-air temperature range (unless otherwise noted)†

Supply voltage, V_{CC} (see Note 1)	7 V
Differential input voltage, V_{ID} (see Note 2)	7 V
Input voltage, V_I (any input)	7 V
Output voltage, V_O	7 V
Output current, I_O (each output)	20 mA
Duration of short-circuit current to GND (see Note 3)	unlimited
Continuous total dissipation	See Dissipation Rating Table
Operating free-air temperature range, T_A	-40°C to 105°C
Storage temperature range	-65°C to 150°C
Lead temperature 1,6 mm (1/16 inch) from case for 10 seconds	260°C

† Stresses beyond those listed under "absolute maximum ratings" may cause permanent damage to the device. These are stress ratings only, and functional operation of the device at these or any other conditions beyond those indicated under "recommended operating conditions" is not implied. Exposure to absolute-maximum-rated conditions for extended periods may affect device reliability.

- NOTES: 1. All voltage values, except differential voltages, are with respect to network GND.
 2. Differential voltages are at $IN+$ with respect to $IN-$.
 3. Short circuits from the outputs to V_{CC} can cause excessive heating and eventual destruction of the chip.

DISSIPATION RATING TABLE

PACKAGE	$T_A \leq 25^\circ\text{C}$	DERATING FACTOR	$T_A = 70^\circ\text{C}$	$T_A = 85^\circ\text{C}$
	POWER RATING	ABOVE $T_A = 25^\circ\text{C}$	POWER RATING	POWER RATING
D	725 mW	5.8 mW/°C	464 mW	377 mW
P	1000 mW	8.0 mW/°C	640 mW	520 mW
PW	525 mW	4.2 mW/°C	336 mW	273 mW

recommended operating conditions

	MIN	MAX	UNIT
Supply voltage, V_{CC}	2	7	V
Operating free-air temperature, T_A	-40	105	°C



TL393, TL393Y DUAL DIFFERENTIAL COMPARATORS

SLCS120A – AUGUST 1993 – REVISED DECEMBER 1993

electrical characteristics, $V_{CC} = 5\text{ V}$ (unless otherwise noted)

PARAMETER	TEST CONDITIONS	T_A †	TL393			UNIT
			MIN	TYP	MAX	
V_{IO} Input offset voltage	$V_O = 1.4\text{ V}$, $V_{IC} = V_{ICRmin}$	25°C		1.5	5	mV
		Full range			9	
V_{ICR} Common-mode input voltage range		25°C	0 to $V_{CC} - 1.5$	0 to $V_{CC} - 1.2$		V
		Full range	0 to $V_{CC} - 2$			
V_{OL} Low-level output voltage	$V_{ID} = -1\text{ V}$, $I_{OL} = 1\text{ mA}$	25°C		70	300	mV
	$V_{ID} = -1\text{ V}$, $I_{OL} = 4\text{ mA}$	Full range		200	700	
I_{IO} Input offset current	$V_O = 1.4\text{ V}$	25°C		5	50	nA
		Full range			150	
I_{IB} Input bias current	$V_O = 1.4\text{ V}$	25°C		-40	-250	nA
		Full range			-400	
I_{OH} High-level output current	$V_{ID} = 1\text{ V}$, $V_{OH} = 3\text{ V}$	25°C		0.1		nA
	$V_{ID} = 1\text{ V}$, $V_{OH} = 5\text{ V}$	Full range			100	
I_{OL} low-level output current	$V_{ID} = -1\text{ V}$, $V_{OL} = 1.5\text{ V}$	25°C	6			mA
I_{CCH} High-level supply current	$V_O = V_{OH}$	25°C		140	200	μA
		Full range			300	
I_{CCL} Low-level supply current	$V_O = V_{OL}$	25°C		0.8	1	mA
		Full range			1.2	

† Full range is -40°C to 105°C .

switching characteristics, $V_{CC} = 5\text{ V}$, $C_L = 15\text{ pF}$, $T_A = 25^\circ\text{C}$

PARAMETER	TEST CONDITIONS	TL393			UNIT
		MIN	TYP	MAX	
Response time	100-mV input step with 5-mV overdrive, R_L connected to 5 V through 5.1 k Ω		0.65		μs
	TTL-level input step, R_L connected to 5 V through 5.1 k Ω		0.2		



TL393, TL393Y DUAL DIFFERENTIAL COMPARATORS

SLCS120A – AUGUST 1993 – REVISED DECEMBER 1993

electrical characteristics, $V_{CC} = 5\text{ V}$, $T_A = 25^\circ\text{C}$ (unless otherwise noted)

PARAMETER	TEST CONDITIONS	TL393Y			UNIT
		MIN	TYP	MAX	
V_{IO} Input offset voltage	$V_O = 1.4\text{ V}$,		1.5	5	mV
V_{ICR} Common-mode input voltage range		0 to $V_{CC} - 1.5$	0 to $V_{CC} - 1.2$		V
V_{OL} Low-level output voltage	$V_{ID} = -1\text{ V}$, $I_{OL} = 1\text{ mA}$		70	300	mV
I_{IO} Input offset current	$V_O = 1.4\text{ V}$		5	50	nA
I_{IB} Input bias current	$V_O = 1.4\text{ V}$		-40	-250	nA
I_{OH} High-level output current	$V_{ID} = 1\text{ V}$, $V_{OH} = 3\text{ V}$		0.1		nA
I_{OL} low-level output current	$V_{ID} = -1\text{ V}$, $V_{OL} = 1.5\text{ V}$	6			mA
I_{CCH} High-level supply current	$V_O = V_{OH}$		140	200	μA
I_{CCL} Low-level supply current	$V_O = V_{OL}$		0.8	1	mA

switching characteristics, $V_{CC} = 5\text{ V}$, $C_L = 15\text{ pF}$, $T_A = 25^\circ\text{C}$

PARAMETER	TEST CONDITIONS	TL393Y			UNIT
		MIN	TYP	MAX	
Response time	100-mV input step with 5-mV overdrive, R_L connected to 5 V through 5.1 k Ω		0.65		μs
	TTL-level input step, R_L connected to 5 V through 5.1 k Ω		0.2		

TYPICAL CHARACTERISTICS

LOW- TO HIGH-LEVEL OUTPUT RESPONSE
FOR VARIOUS INPUT OVERDRIVES

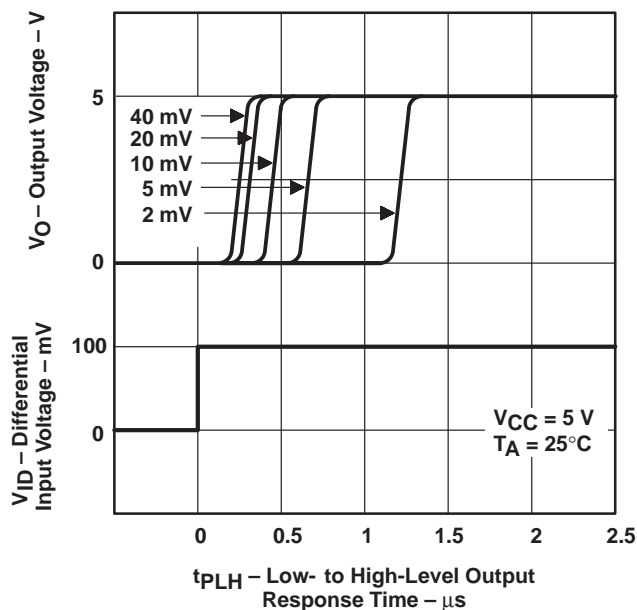


Figure 1

HIGH- TO LOW-LEVEL OUTPUT RESPONSE
FOR VARIOUS INPUT OVERDRIVES

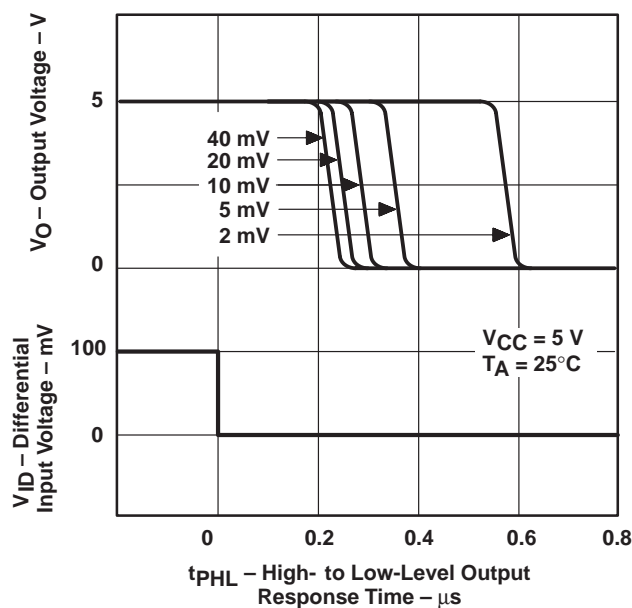


Figure 2

PACKAGING INFORMATION

Orderable Device	Status ⁽¹⁾	Package Type	Package Drawing	Pins	Package Qty	Eco Plan ⁽²⁾	Lead/Ball Finish	MSL Peak Temp ⁽³⁾
TL393ID	OBSOLETE	SOIC	D	8		TBD	Call TI	Call TI
TL393IDR	OBSOLETE	SOIC	D	8		TBD	Call TI	Call TI
TL393IP	OBSOLETE	PDIP	P	8		TBD	Call TI	Call TI
TL393IPWLE	OBSOLETE	TSSOP	PW	8		TBD	Call TI	Call TI

⁽¹⁾ The marketing status values are defined as follows:

ACTIVE: Product device recommended for new designs.

LIFEBUY: TI has announced that the device will be discontinued, and a lifetime-buy period is in effect.

NRND: Not recommended for new designs. Device is in production to support existing customers, but TI does not recommend using this part in a new design.

PREVIEW: Device has been announced but is not in production. Samples may or may not be available.

OBSOLETE: TI has discontinued the production of the device.

⁽²⁾ Eco Plan - The planned eco-friendly classification: Pb-Free (RoHS) or Green (RoHS & no Sb/Br) - please check <http://www.ti.com/productcontent> for the latest availability information and additional product content details.

TBD: The Pb-Free/Green conversion plan has not been defined.

Pb-Free (RoHS): TI's terms "Lead-Free" or "Pb-Free" mean semiconductor products that are compatible with the current RoHS requirements for all 6 substances, including the requirement that lead not exceed 0.1% by weight in homogeneous materials. Where designed to be soldered at high temperatures, TI Pb-Free products are suitable for use in specified lead-free processes.

Green (RoHS & no Sb/Br): TI defines "Green" to mean Pb-Free (RoHS compatible), and free of Bromine (Br) and Antimony (Sb) based flame retardants (Br or Sb do not exceed 0.1% by weight in homogeneous material)

⁽³⁾ MSL, Peak Temp. -- The Moisture Sensitivity Level rating according to the JEDEC industry standard classifications, and peak solder temperature.

Important Information and Disclaimer:The information provided on this page represents TI's knowledge and belief as of the date that it is provided. TI bases its knowledge and belief on information provided by third parties, and makes no representation or warranty as to the accuracy of such information. Efforts are underway to better integrate information from third parties. TI has taken and continues to take reasonable steps to provide representative and accurate information but may not have conducted destructive testing or chemical analysis on incoming materials and chemicals. TI and TI suppliers consider certain information to be proprietary, and thus CAS numbers and other limited information may not be available for release.

In no event shall TI's liability arising out of such information exceed the total purchase price of the TI part(s) at issue in this document sold by TI to Customer on an annual basis.

P (R-PDIP-T8)

PLASTIC DUAL-IN-LINE



- NOTES: A. All linear dimensions are in inches (millimeters).
 B. This drawing is subject to change without notice.
 C. Falls within JEDEC MS-001

For the latest package information, go to http://www.ti.com/sc/docs/package/pkg_info.htm

D (R-PDSO-G8)

PLASTIC SMALL-OUTLINE PACKAGE



- NOTES:
- A. All linear dimensions are in inches (millimeters).
 - B. This drawing is subject to change without notice.
 - C. Body dimensions do not include mold flash or protrusion not to exceed 0.006 (0,15).
 - D. Falls within JEDEC MS-012 variation AA.

PW (R-PDSO-G**)

PLASTIC SMALL-OUTLINE PACKAGE

14 PINS SHOWN



4040064/F 01/97

- NOTES: A. All linear dimensions are in millimeters.
 B. This drawing is subject to change without notice.
 C. Body dimensions do not include mold flash or protrusion not to exceed 0,15.
 D. Falls within JEDEC MO-153

IMPORTANT NOTICE

Texas Instruments Incorporated and its subsidiaries (TI) reserve the right to make corrections, modifications, enhancements, improvements, and other changes to its products and services at any time and to discontinue any product or service without notice. Customers should obtain the latest relevant information before placing orders and should verify that such information is current and complete. All products are sold subject to TI's terms and conditions of sale supplied at the time of order acknowledgment.

TI warrants performance of its hardware products to the specifications applicable at the time of sale in accordance with TI's standard warranty. Testing and other quality control techniques are used to the extent TI deems necessary to support this warranty. Except where mandated by government requirements, testing of all parameters of each product is not necessarily performed.

TI assumes no liability for applications assistance or customer product design. Customers are responsible for their products and applications using TI components. To minimize the risks associated with customer products and applications, customers should provide adequate design and operating safeguards.

TI does not warrant or represent that any license, either express or implied, is granted under any TI patent right, copyright, mask work right, or other TI intellectual property right relating to any combination, machine, or process in which TI products or services are used. Information published by TI regarding third-party products or services does not constitute a license from TI to use such products or services or a warranty or endorsement thereof. Use of such information may require a license from a third party under the patents or other intellectual property of the third party, or a license from TI under the patents or other intellectual property of TI.

Reproduction of information in TI data books or data sheets is permissible only if reproduction is without alteration and is accompanied by all associated warranties, conditions, limitations, and notices. Reproduction of this information with alteration is an unfair and deceptive business practice. TI is not responsible or liable for such altered documentation.

Resale of TI products or services with statements different from or beyond the parameters stated by TI for that product or service voids all express and any implied warranties for the associated TI product or service and is an unfair and deceptive business practice. TI is not responsible or liable for any such statements.

Following are URLs where you can obtain information on other Texas Instruments products and application solutions:

Products		Applications	
Amplifiers	amplifier.ti.com	Audio	www.ti.com/audio
Data Converters	dataconverter.ti.com	Automotive	www.ti.com/automotive
DSP	dsp.ti.com	Broadband	www.ti.com/broadband
Interface	interface.ti.com	Digital Control	www.ti.com/digitalcontrol
Logic	logic.ti.com	Military	www.ti.com/military
Power Mgmt	power.ti.com	Optical Networking	www.ti.com/opticalnetwork
Microcontrollers	microcontroller.ti.com	Security	www.ti.com/security
		Telephony	www.ti.com/telephony
		Video & Imaging	www.ti.com/video
		Wireless	www.ti.com/wireless

Mailing Address: Texas Instruments
Post Office Box 655303 Dallas, Texas 75265