

## 3-V, 10-Bit, 40-MSPS CMOS ANALOG-TO-DIGITAL CONVERTER

### FEATURES

- Analog Supply 3 V
- Digital Supply 3 V
- Configurable Input Functions:
  - Single Ended
  - Differential
- Differential Nonlinearity:  $\pm 0.45$  LSB
- Signal-to-Noise: 60 dB Typ  $f_{(IN)}$  at 4.8 MHz
- Spurious Free Dynamic Range: 72 dB
- Adjustable Internal Voltage Reference
- On-Chip Voltage Reference Generator
- Unsigned Binary Data Output
- Out-of-Range Indicator
- Power-Down Mode

### APPLICATIONS

- Video/CCD Imaging
- Communications
- Set-Top Box
- Medical

### DESCRIPTION

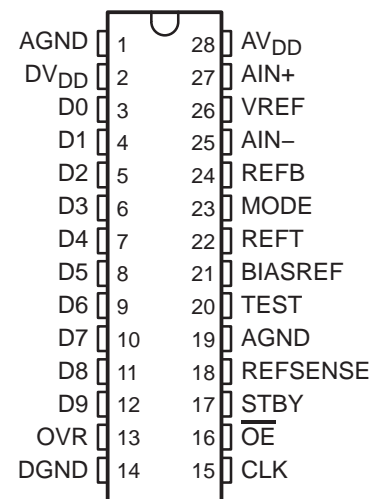
The THS1040 is a CMOS, low power, 10-bit, 40-MSPS analog-to-digital converter (ADC) that operates from a single 3-V supply. The THS1040 has been designed to give circuit developers flexibility. The analog input to the THS1040 can be either single-ended or differential. The THS1040 provides a wide selection of voltage references to match the user's design requirements. For more design flexibility, the internal reference can be

bypassed to use an external reference to suit the dc accuracy and temperature drift requirements of the application. The out-of-range output indicates any out-of-range condition in THS1040's input signal.

The speed, resolution, and single-supply operation of the THS1040 are suited to applications in set-top-box (STB), video, multimedia, imaging, high-speed acquisition, and communications. The speed and resolution ideally suit charge-couple device (CCD) input systems such as color scanners, digital copiers, digital cameras, and camcorders. A wide input voltage range allows the THS1040 to be applied in both imaging and communications systems.

The THS1040C is characterized for operation from 0°C to 70°C, while the THS1040I is characterized for operation from –40°C to 85°C.

**28-PIN TSSOP/SOIC PACKAGE  
(TOP VIEW)**



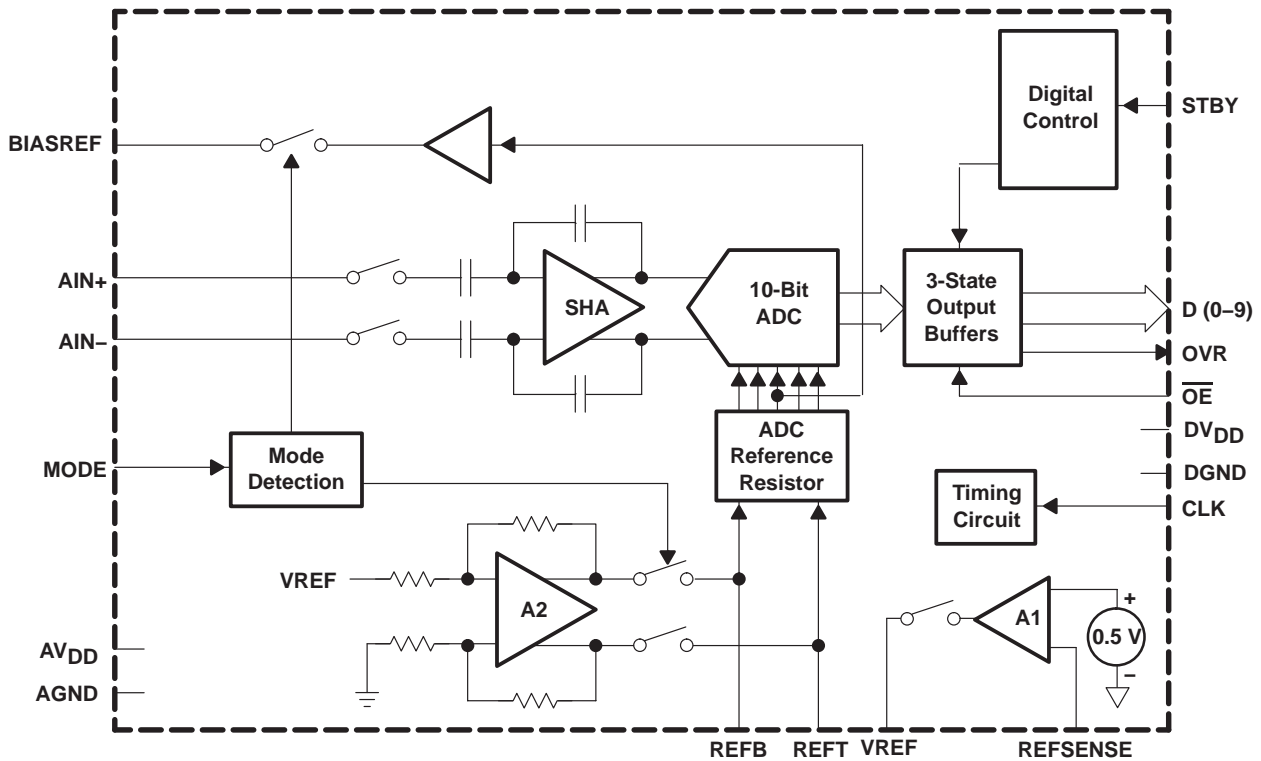
Please be aware that an important notice concerning availability, standard warranty, and use in critical applications of Texas Instruments semiconductor products and disclaimers thereto appears at the end of this data sheet.

### AVAILABLE OPTIONS

PRODUCT	PACKAGE LEAD	PACKAGE DESIGNATOR†	SPECIFIED TEMPERATURE RANGE	PACKAGE MARKINGS	ORDERING NUMBER	TRANSPORT MEDIA, QUANTITY
THS1040C	TSSOP-28	PW	0°C to 70°C	TH1040	THS1040CPW	Tube, 50
						THS1040CPWR
THS1040I	TSSOP-28	PW	-40°C to 85°C	TJ1040	THS1040IPW	Tube, 50
						THS1040IPWR
THS1040C	SOP-28	DW	0°C to 70°C	TH1040	THS1040CDW	Tube, 20
						THS1040CDWR
THS1040I	SOP-28	DW	-40°C to 85°C	TJ1040	THS1040IDW	Tube, 20
						THS1040IDWR

† For the most current specification and package information, refer to the TI web site at [www.ti.com](http://www.ti.com).

### functional block diagram



NOTE: A1 – Internal bandgap reference  
 A2 – Internal ADC reference generator

## Terminal Functions

TERMINAL NAME	NO.	I/O	DESCRIPTION
AGND	1, 19	I	Analog ground
AIN+	27	I	Positive analog input
AIN-	25	I	Negative analog input
AV <sub>DD</sub>	28	I	Analog supply
BIASREF	21	O	When the MODE pin is at AV <sub>DD</sub> , a buffered AV <sub>DD</sub> /2 is present at this pin that can be used by external input biasing circuits. The output is high impedance when MODE is AGND or AV <sub>DD</sub> /2.
CLK	15	I	Clock input
DGND	14	I	Digital ground
DV <sub>DD</sub>	2	I	Digital supply
D0	3	O	Digital data bit 0 (LSB)
D1	4		Digital data bit 1
D2	5		Digital data bit 2
D3	6		Digital data bit 3
D4	7		Digital data bit 4
D5	8		Digital data bit 5
D6	9		Digital data bit 6
D7	10		Digital data bit 7
D8	11		Digital data bit 8
D9	12		Digital data bit 9 (MSB)
MODE	23	I	Operating mode select (AGND, AV <sub>DD</sub> /2, or AV <sub>DD</sub> )
$\overline{\text{OE}}$	16	I	High to 3-state the data bus, low to enable the data bus
OVR	13	O	Out-of-range indicator
REFB	24	I/O	Bottom ADC reference voltage
REFSENSE	18	I	VREF mode control
REFT	22	I/O	Top ADC reference voltage
STBY	17	I	Drive high to power-down the THS1040
TEST	20	I	Production test pin. Tie to DV <sub>DD</sub> or DGND
VREF	26	I/O	Internal or external reference

**absolute maximum ratings over operating free-air temperature (unless otherwise noted)†**

Supply voltage range: AV <sub>DD</sub> to AGND, DV <sub>DD</sub> to DGND .....	-0.3 V to 4 V
AGND to DGND .....	-0.3 V to 0.3 V
AV <sub>DD</sub> to DV <sub>DD</sub> .....	-4 V to 4 V
MODE input voltage range, MODE to AGND .....	-0.3 V to AV <sub>DD</sub> + 0.3 V
Reference voltage input range, REFT, REFB, to AGND .....	-0.3 V to AV <sub>DD</sub> + 0.3 V
Analog input voltage range, AIN to AGND .....	-0.3 V to AV <sub>DD</sub> + 0.3 V
Reference input voltage range, VREF to AGND .....	-0.3 V to AV <sub>DD</sub> + 0.3 V
Reference output voltage range, VREF to AGND .....	-0.3 V to AV <sub>DD</sub> + 0.3 V
Clock input voltage range, CLK to AGND .....	-0.3 V to AV <sub>DD</sub> + 0.3 V
Digital input voltage range, digital input to DGND .....	-0.3 V to DV <sub>DD</sub> + 0.3 V
Digital output voltage range, digital output to DGND .....	-0.3 V to DV <sub>DD</sub> + 0.3 V
Operating junction temperature range, T <sub>J</sub> .....	0°C to 150°C
Storage temperature range, T <sub>stg</sub> .....	-65°C to 150°C
Lead temperature 1,6 mm (1/16 in) from case for 10 seconds .....	300°C

† Stresses beyond those listed under “absolute maximum ratings” may cause permanent damage to the device. These are stress ratings only, and functional operation of the device at these or any other conditions beyond those indicated under “recommended operating conditions” is not implied. Exposure to absolute-maximum-rated conditions for extended periods may affect device reliability.

**recommended operating conditions**

over operating free-air temperature range T<sub>A</sub>, (unless otherwise noted)

PARAMETER	CONDITION	MIN	NOM	MAX	UNIT	
<b>Power Supply</b>						
Supply voltage	AV <sub>DD</sub> , DV <sub>DD</sub>	3	3	3.6	V	
<b>Analog and Reference Inputs</b>						
VREF input voltage	V <sub>I</sub> (VREF)	REFSENSE = AV <sub>DD</sub>	0.5	1	V	
REFT input voltage	V <sub>I</sub> (REFT)	MODE = AGND	1.75	2	V	
REFB input voltage	V <sub>I</sub> (REFB)	MODE = AGND	1	1.25	V	
Reference input voltage	V <sub>I</sub> (REFT) – V <sub>I</sub> (REFB)	MODE = AGND	0.5	1	V	
Reference common mode voltage	(V <sub>I</sub> (REFT) + V <sub>I</sub> (REFB))/2	MODE = AGND	(AV <sub>DD</sub> /2) – 0.05	(AV <sub>DD</sub> /2) + 0.05	V	
Analog input voltage differential (see Note 1)	V <sub>I</sub> (AIN)	REFSENSE = AGND	-1	1	V	
		REFSENSE = VREF	-0.5	0.5	V	
Analog input capacitance, C <sub>I</sub>				10	pF	
Clock input (see Note 2)		0		AV <sub>DD</sub>	V	
<b>Digital Outputs</b>						
Maximum digital output load resistance	R <sub>L</sub>	100			kΩ	
Maximum digital output load capacitance	C <sub>L</sub>			10	pF	
<b>Digital Inputs</b>						
High-level input voltage, V <sub>IH</sub>		2.4		DV <sub>DD</sub>	V	
Low-level input voltage, V <sub>IL</sub>		DGND		0.8	V	
Clock frequency (see Note 3)	t <sub>c</sub>	f(CLK) = 5 MHz to 40 MHz	25	200	nS	
Clock pulse duration	t <sub>w</sub> (CKL), t <sub>w</sub> (CKH)	f(CLK) = 40 MHz	11.25	12.5	13.75	nS
Operating free-air temperature, T <sub>A</sub>		THS1040C	0	70	°C	
		THS1040I	-40	85		

NOTE 1: V<sub>I</sub>(AIN) is AIN+ – AIN– range, based on V<sub>I</sub>(REFT) – V<sub>I</sub>(REFB) = 1V. Varies proportional to the V<sub>I</sub>(REFT) – V<sub>I</sub>(REFB) value. Input common mode voltage is recommended to be AV<sub>DD</sub>/2.

NOTE 2: The clock pin is referenced to AV<sub>SS</sub> and powered by AV<sub>DD</sub>.

NOTE 3: Clock frequency can be extended to this range without degradation of performance.

## electrical characteristics

over recommended operating conditions,  $AV_{DD} = 3\text{ V}$ ,  $DV_{DD} = 3\text{ V}$ ,  $f_s = 40\text{ MSPS}/50\%$  duty cycle,  $MODE = AV_{DD}$  (internal reference), differential input range =  $1\text{ V}_{PP}$  and  $2\text{ V}_{PP}$ ,  $T_A = T_{min}$  to  $T_{max}$  (unless otherwise noted)

## power supply

PARAMETER		TEST CONDITIONS	MIN	TYP	MAX	UNIT
$AV_{DD}$	Supply voltage		3		3.6	V
$DV_{DD}$			3		3.6	
$I_{CC}$	Operating supply current	See Note 4		33	40	mA
$P_D$	Power dissipation	See Note 4		100	120	mW
$P_{D(STBY)}$	Standby power			75		$\mu\text{W}$
	Power up time for all references from standby, $t_{(PU)}$	10 $\mu\text{F}$ bypass		770		$\mu\text{s}$
$t_{(WU)}$	Wake-up time	See Note 5		45		$\mu\text{s}$

## REFT, REFB internal ADC reference voltages outputs (MODE = $AV_{DD}$ or $AV_{DD}/2$ ) (See Note 6)

PARAMETER		TEST CONDITIONS	MIN	TYP	MAX	UNIT
Reference voltage top, REFT	$V_{REF} = 0.5\text{ V}$	$AV_{DD} = 3\text{ V}$		1.75		V
	$V_{REF} = 1\text{ V}$			2		
Reference voltage bottom, REFB	$V_{REF} = 0.5\text{ V}$	$AV_{DD} = 3\text{ V}$		1.25		V
	$V_{REF} = 1\text{ V}$			1		
Input resistance between REFT and REFB			1.4	1.9	2.5	$\text{k}\Omega$

## VREF (on-chip voltage reference generator)

PARAMETER	MIN	TYP	MAX	UNIT
Internal 0.5-V reference voltage (REFSENSE = VREF)	0.45	0.5	0.55	V
Internal 1-V reference voltage (REFSENSE = AGND)	0.95	1	1.05	V
Reference input resistance (REFSENSE = $AV_{DD}$ , $MODE = AV_{DD}/2$ or $AV_{DD}$ )	7	14	21	$\text{k}\Omega$

## dc accuracy

PARAMETER		MIN	TYP	MAX	UNIT
Resolution			10		Bits
INL	Integral nonlinearity (see definitions)	-1.5	$\pm 0.75$	1.5	LSB
DNL	Differential nonlinearity (see definitions)	-0.9	$\pm 0.45$	0.9	LSB
Zero error (see definitions)		-1.5	0.7	1.5	%FSR
Full-scale error (see definitions)		-3	2.2	3	%FSR
Missing code		No missing code assured			

NOTE 4: Apply a -1 dBFS 10-KHz triangle wave at  $A_{IN+}$  and  $A_{IN-}$  with an internal bandgap reference and ADC reference enabled, and BIASREF enabled at  $AV_{DD}/2$ . Any additional load at BIASREF or VREF may require additional current.

NOTE 5: Wake-up time is from the power-down state to accurate ADC samples being taken and is specified for  $MODE = AGND$  with external reference sources applied to the device at the time of release of power-down, and an applied 40-MHz clock. Circuits that need to power up are the bandgap, bias generator, ADC, and SHA.

NOTE 6: External reference values are listed in the *Recommended Operating Conditions Table*.

## electrical characteristics

over recommended operating conditions,  $AV_{DD} = 3\text{ V}$ ,  $DV_{DD} = 3\text{ V}$ ,  $f_s = 40\text{ MSPS}/50\%$  duty cycle,  $MODE = AV_{DD}$  (internal reference), differential input range =  $1\text{ V}_{PP}$  and  $2\text{ V}_{PP}$ ,  $T_A = T_{min}$  to  $T_{max}$  (unless otherwise noted) (continued)

## dynamic performance (ADC)

PARAMETER		TEST CONDITIONS	MIN	TYP	MAX	UNIT
ENOB	Effective number of bits	$f = 4.8\text{ MHz}$ , $-0.5\text{ dBFS}$	8.8	9.6		Bits
		$f = 20\text{ MHz}$ , $-0.5\text{ dBFS}$		9.5		
SFDR	Spurious free dynamic range	$f = 4.8\text{ MHz}$ , $-0.5\text{ dBFS}$	60.5	72		dB
		$f = 20\text{ MHz}$ , $-0.5\text{ dBFS}$		70		
THD	Total harmonic distortion	$f = 4.8\text{ MHz}$ , $-0.5\text{ dBFS}$		-72.5	-61.3	dB
		$f = 20\text{ MHz}$ , $-0.5\text{ dBFS}$		-71.6		
SNR	Signal-to-noise ratio	$f = 4.8\text{ MHz}$ , $-0.5\text{ dBFS}$	55.7	60		dB
		$f = 20\text{ MHz}$ , $-0.5\text{ dBFS}$		57		
SINAD	Signal-to-noise and distortion	$f = 4.8\text{ MHz}$ , $-0.5\text{ dBFS}$	55.6	59.7		dB
		$f = 20\text{ MHz}$ , $-0.5\text{ dBFS}$		59.6		
BW	Full power bandwidth ( $-3\text{ dB}$ )			900		MHz

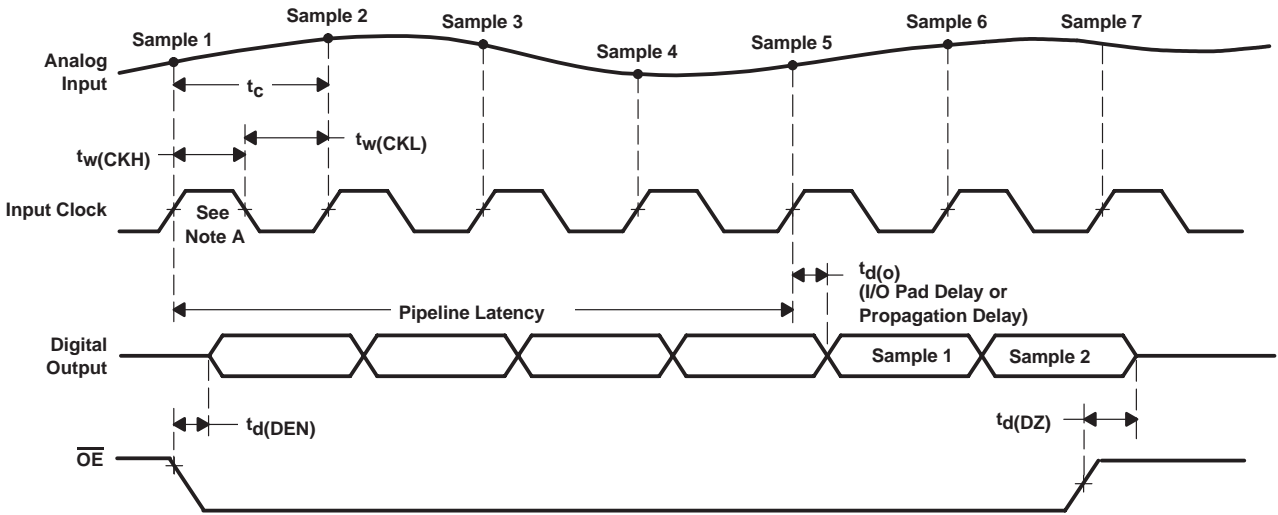
## digital specifications

PARAMETER		MIN	NOM	MAX	UNIT
<b>Digital Inputs</b>					
$V_{IH}$	High-level input voltage	Clock input	$0.8 \times AV_{DD}$		V
		All other inputs	$0.8 \times DV_{DD}$		
$V_{IL}$	Low-level input voltage	Clock input	$0.2 \times AV_{DD}$		V
		All other inputs	$0.2 \times DV_{DD}$		
$I_{IH}$	High-level input current			1	$\mu\text{A}$
$I_{IL}$	Low-level input current			$ -1 $	$\mu\text{A}$
$C_i$	Input capacitance		5		pF
<b>Digital Outputs</b>					
$V_{OH}$	High-level output voltage	$I_{load} = 50\ \mu\text{A}$	$DV_{DD} - 0.4$		V
$V_{OL}$	Low-level output voltage	$I_{load} = -50\ \mu\text{A}$	0.4		V
	High-impedance output current		$\pm 1$		$\mu\text{A}$
	Rise/fall time	$C_{load} = 15\text{ pF}$	3.5		ns
<b>Clock Input</b>					
$t_c$	Clock cycle time		25	200	ns
$t_w(\text{CKH})$	Pulse duration, clock high		11.25	110	ns
$t_w(\text{CKL})$	Pulse duration, clock low		11.25	110	ns
	Clock duty cycle		45%	50%	55%
$t_{d(o)}$	Clock to data valid, delay time		9.5	16	ns
	Pipeline latency		4		Cycles
$t_{d(\text{AP})}$	Aperture delay time		0.1		ns
	Aperture uncertainty (jitter)		1		ps

## timing

PARAMETER		MIN	TYP	MAX	UNIT
$t_{d(\text{DZ})}$	Output disable to Hi-Z output, delay time	0		10	ns
$t_{d(\text{DEN})}$	Output enable to output valid, delay time	0		10	ns
$V_{O(\text{BIASREF})}$	Output voltage	$MODE = AV_{DD}$	$(AV_{DD}/2) - 0.1$	$(AV_{DD}/2) + 0.1$	V

PARAMETER MEASUREMENT INFORMATION



NOTE A: All timing measurements are based on 50% of edge transition.

Figure 1. Digital Output Timing Diagram

TYPICAL CHARACTERISTICS

DIFFERENTIAL NONLINEARITY  
vs  
INPUT CODE

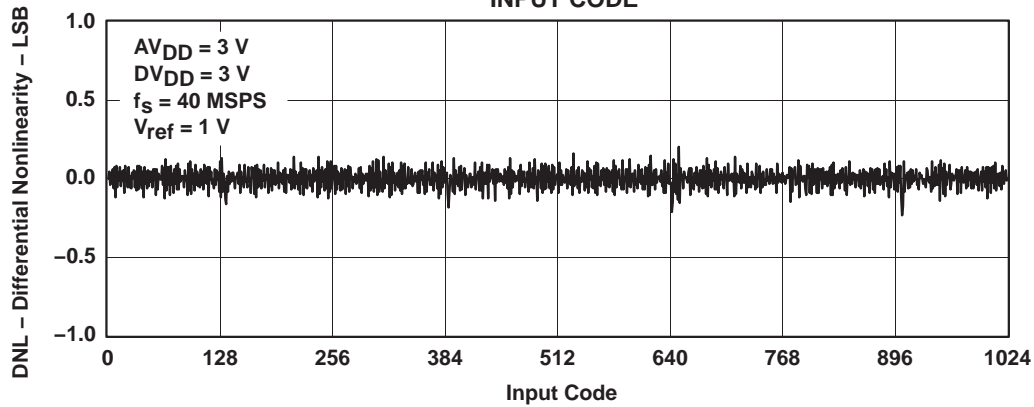


Figure 2

INTEGRAL NONLINEARITY  
vs  
INPUT CODE

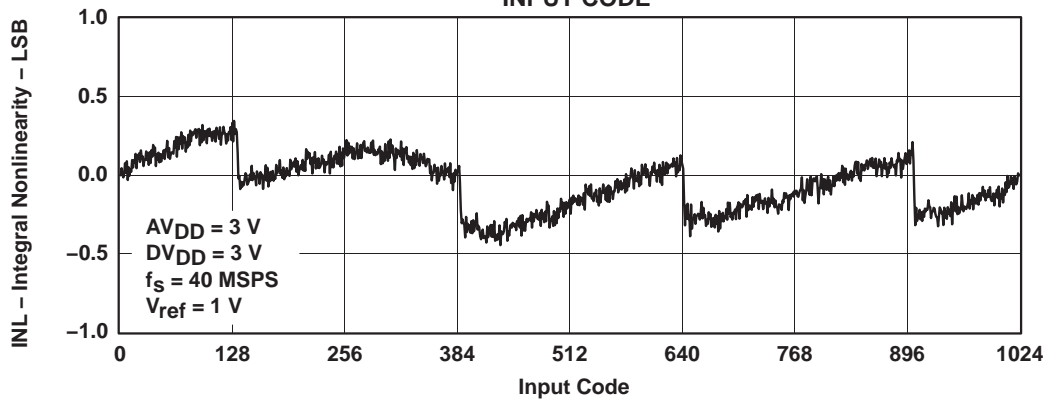


Figure 3

INTEGRAL NONLINEARITY  
vs  
INPUT CODE

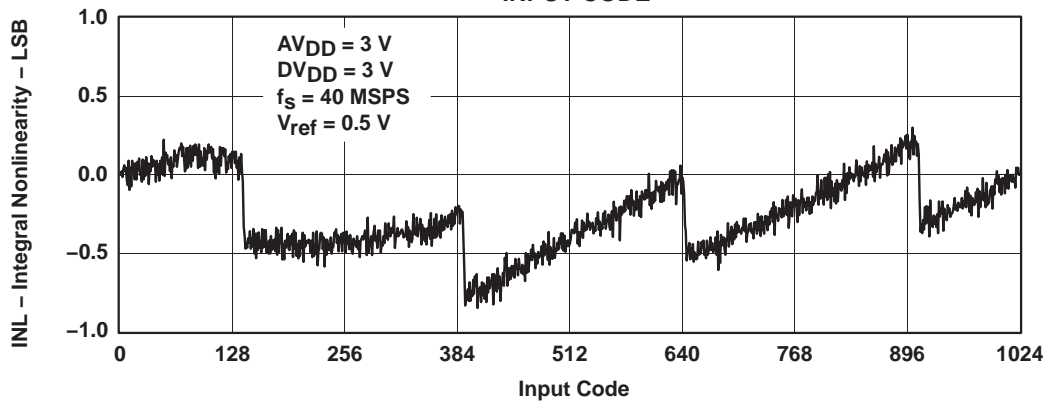
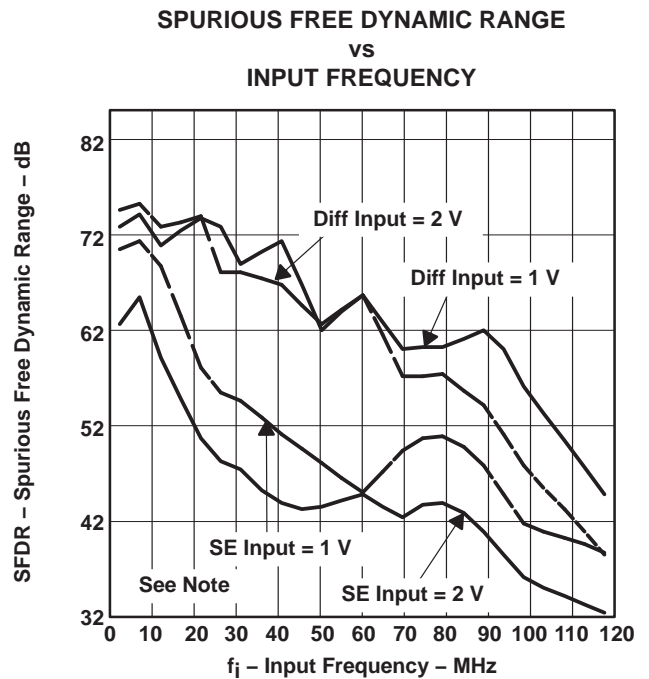
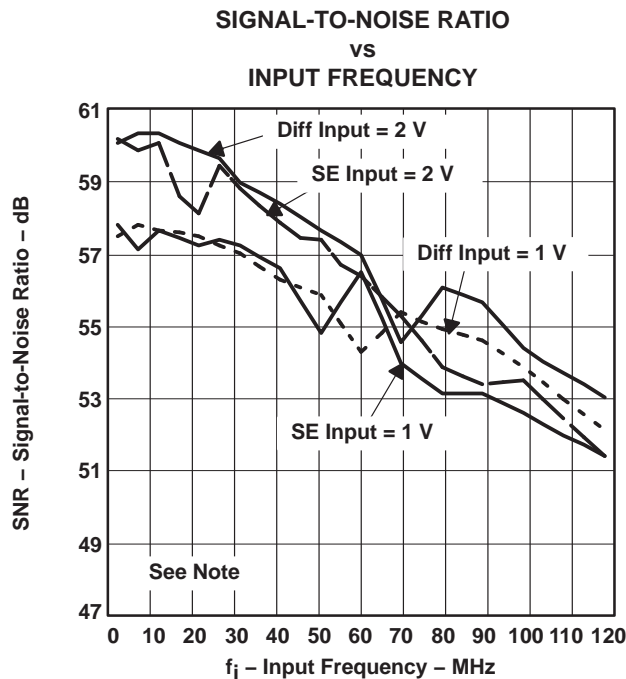
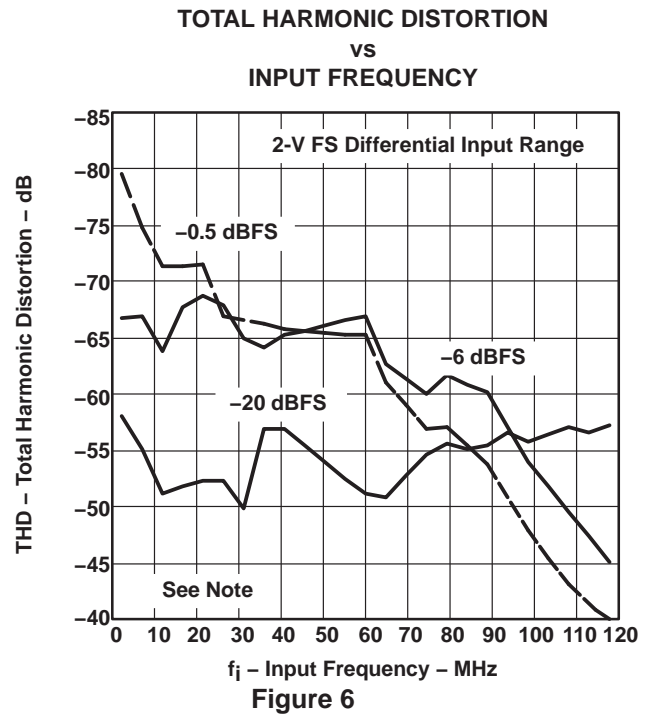
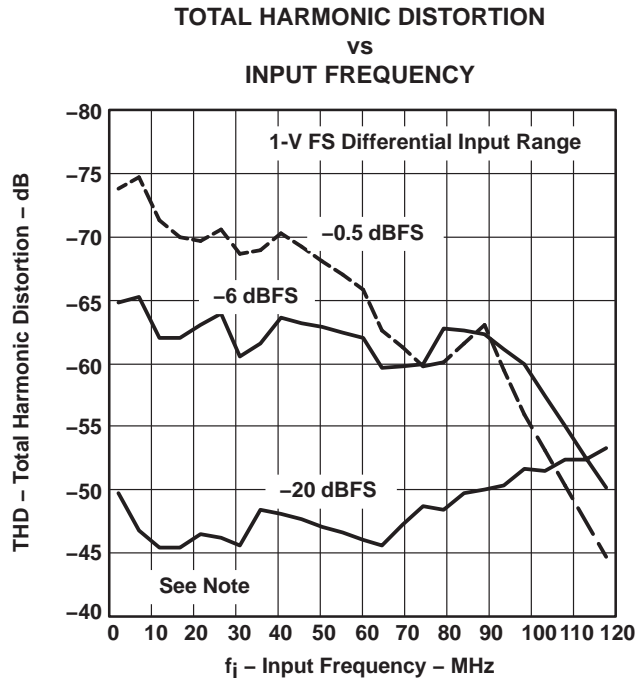


Figure 4



TYPICAL CHARACTERISTICS



NOTE:  $AV_{DD} = DV_{DD} = 3\text{ V}$ ,  $f_S = 40\text{ MSPS}$ , 20-pF capacitors  $A_{IN+}$  to  $AGND$  and  $A_{IN-}$  to  $AGND$ ,  
 Input series resistor = 25  $\Omega$ ,  
 2-V Input: Ext Ref,  $REFT = 2\text{ V}$ ,  $REFB = 1\text{ V}$ , -0.5 dBFS  
 1-V Input: Ext Ref,  $REFT = 1.75\text{ V}$ ,  $REFB = 1.25\text{ V}$ , -0.5 dBFS

TYPICAL CHARACTERISTICS

SIGNAL-TO-NOISE PLUS DISTORTION  
vs  
INPUT FREQUENCY

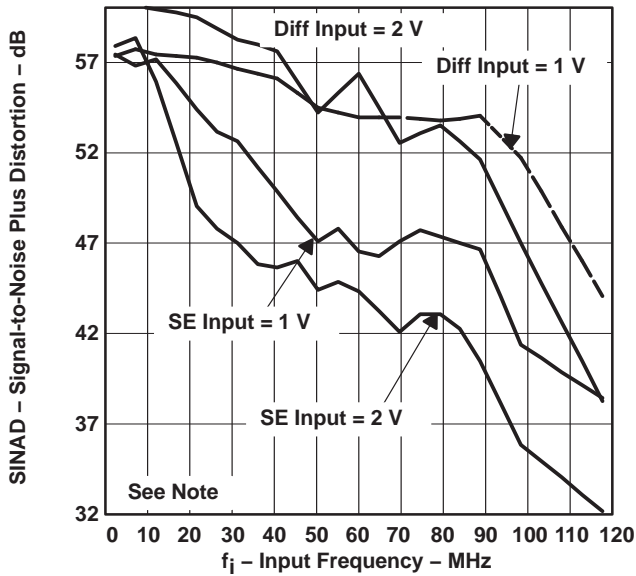


Figure 9

TOTAL HARMONIC DISTORTION  
vs  
INPUT FREQUENCY

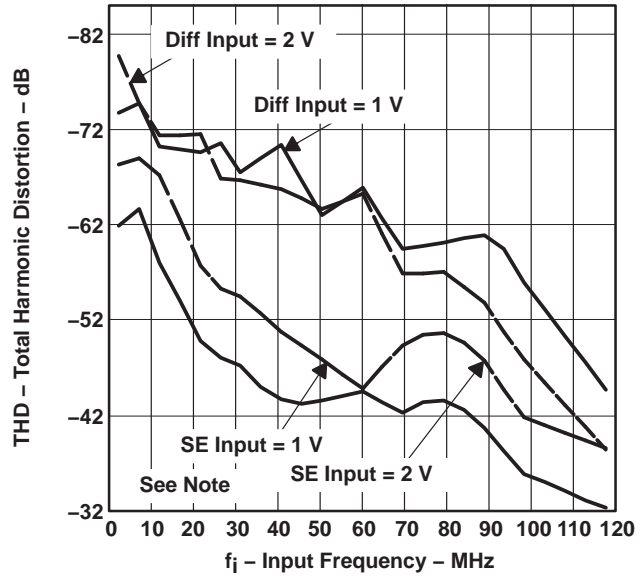


Figure 10

NOTE:  $V_{DD} = DV_{DD} = 3\text{ V}$ ,  $f_S = 40\text{ MSPS}$ , 20-pF capacitors AIN+ to AGND and AIN- to AGND, Input series resistor = 25  $\Omega$ , 2-V Input: Ext Ref, REFT = 2 V, REFB = 1 V, -0.5 dBFS, 1-V Input: Ext Ref, REFT = 1.75 V, REFB = 1.25 V, -0.5 dBFS

TOTAL HARMONIC DISTORTION  
vs  
SAMPLE RATE

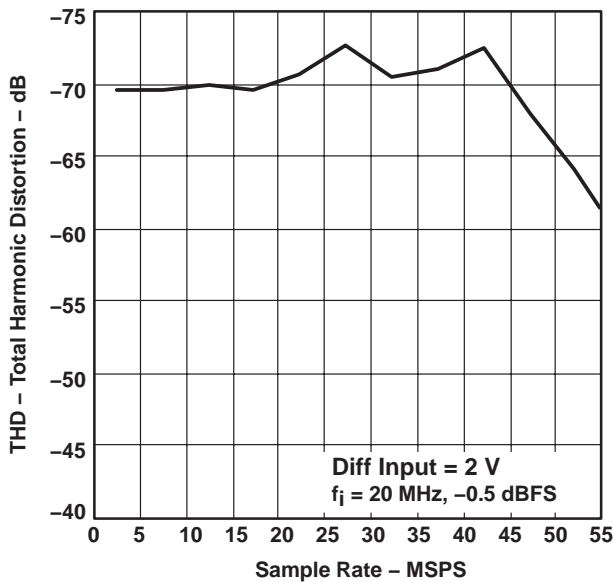


Figure 11

SIGNAL-TO-NOISE RATIO  
vs  
SAMPLE RATE

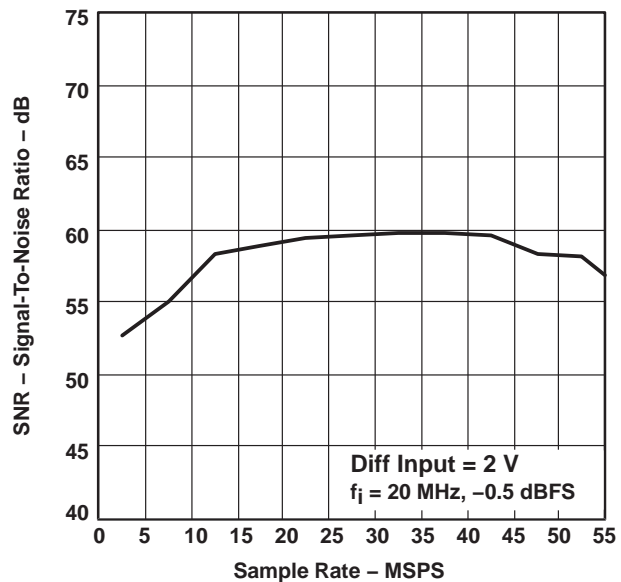


Figure 12

TYPICAL CHARACTERISTICS

POWER DISSIPATION  
vs  
SAMPLE RATE

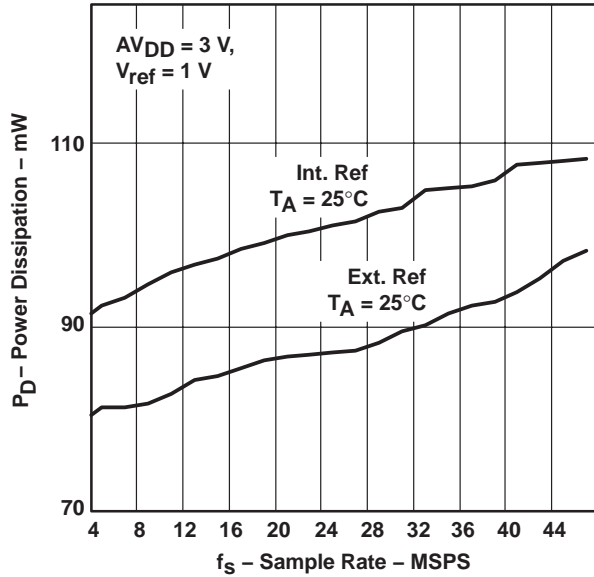


Figure 13

TOTAL CURRENT  
vs  
CLOCK FREQUENCY

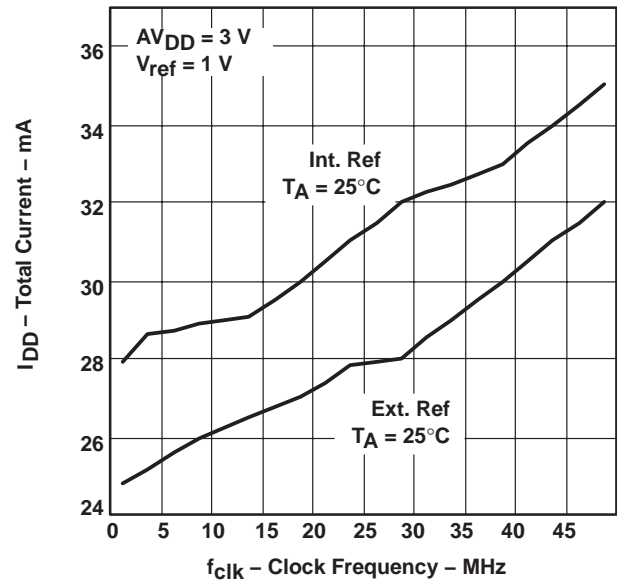


Figure 14

INPUT BANDWIDTH

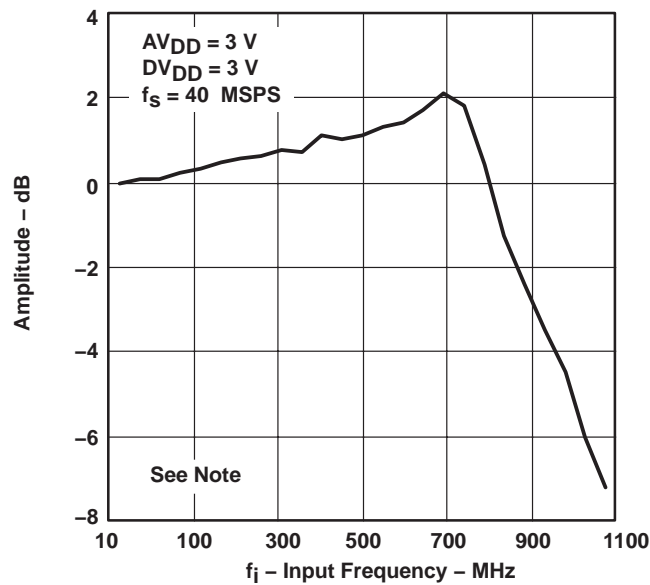


Figure 15

NOTE: No series resistors and no bypass capacitors at AIN+ and AIN- inputs.

TYPICAL CHARACTERISTICS

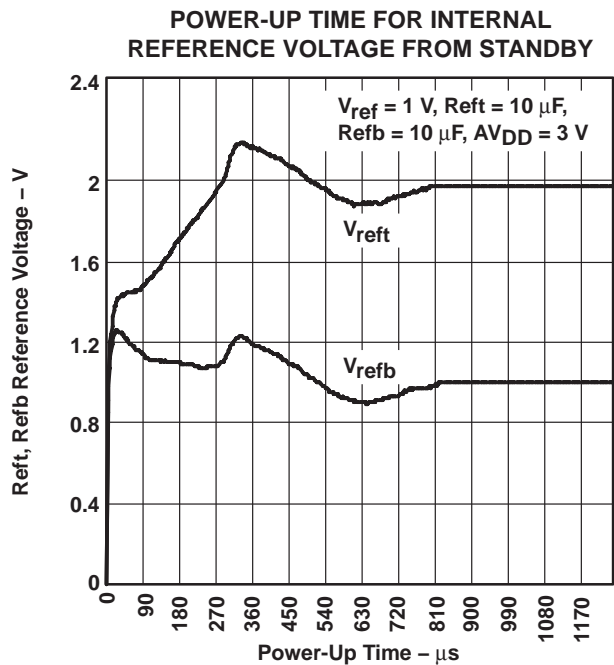


Figure 16

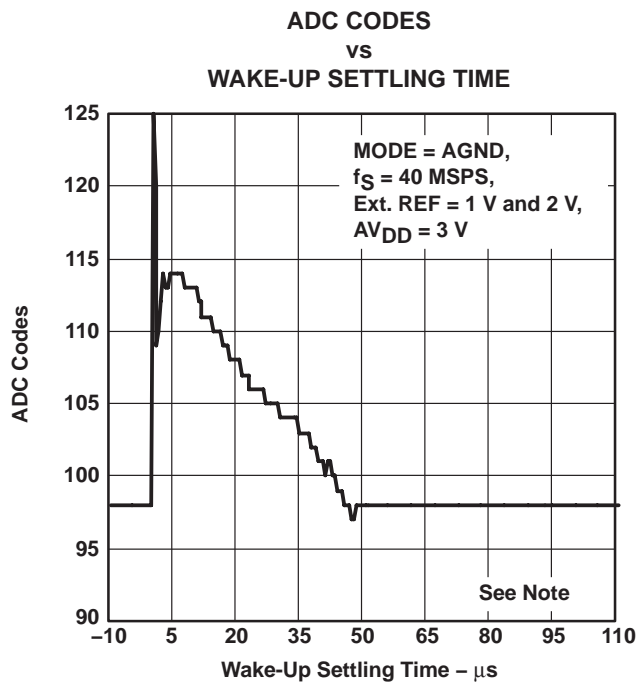


Figure 17

TYPICAL CHARACTERISTICS

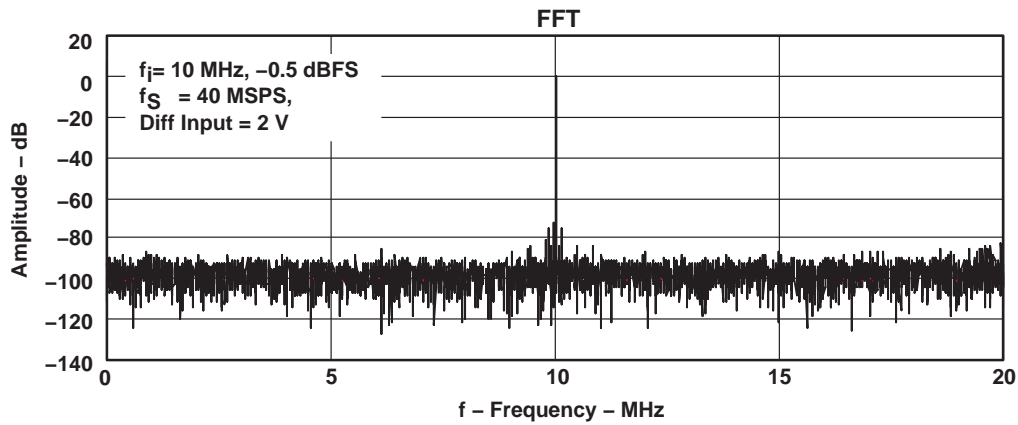


Figure 18

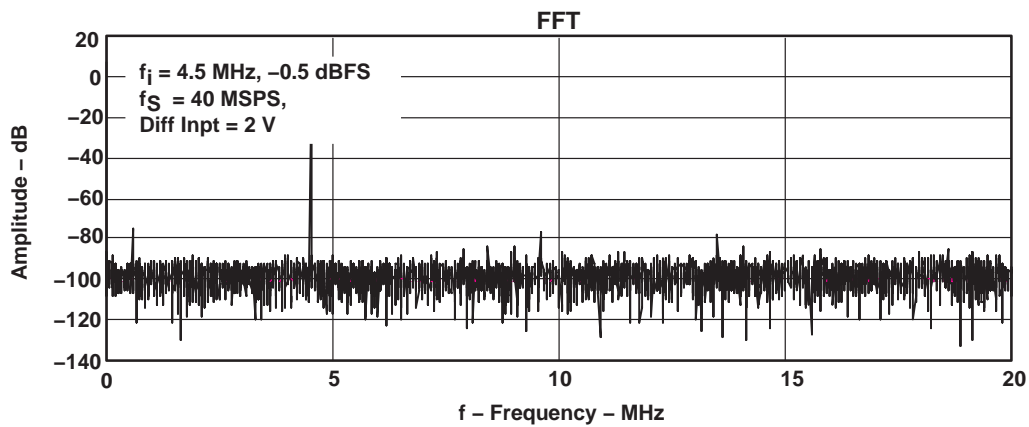


Figure 19

PRINCIPLES OF OPERATION

functional overview

See the functional block diagram. A single-ended, sample rate clock is required at pin CLK for device operation. Analog inputs AIN+ and AIN- are sampled on each rising edge of CLK in a switched capacitor sample and hold unit, the output of which feeds the ADC core, where analog-to-digital conversion is performed against the ADC reference voltages REFT and REFB.

Internal or external ADC reference voltage configurations are selected by connecting the MODE pin appropriately. When MODE = AGND, the user must provide external sources at pins REFB and REFT. When MODE = AV<sub>DD</sub> or MODE = AV<sub>DD</sub>/2, an internal ADC references generator (A2) is enabled which drives the REFT and REFB pins using the voltage at pin VREF as its input. The user can choose to drive VREF from the internal bandgap reference, or disable A1 and provide their own reference voltage at pin VREF.

On the fourth rising CLK edge following the edge that sampled AIN+ and AIN-, the conversion result is output via data pins D0 to D9. The output buffers can be disabled by pulling pin OE high.

The following sections explain further:

- How signals flow from AIN+ and AIN- to the ADC core, and how the reference voltages at REFT and REFB set the ADC input range and hence the input range at AIN+ and AIN-.
- How to set the ADC references REFT and REFB using external sources or the internal reference buffer (A2) to match the device input range to the input signal.
- How to set the output of the internal bandgap reference (A1) if required.

signal processing chain (sample and hold, ADC)

Figure 20 shows the signal flow through the sample and hold unit to the ADC core.

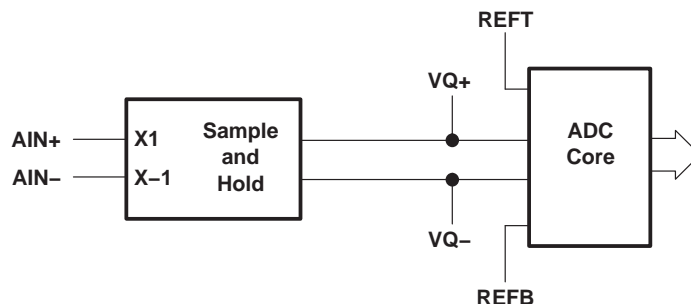


Figure 20. Analog Input Signal Flow

---

## PRINCIPLES OF OPERATION

### sample-and-hold

Differential input signal sources can be connected directly to the AIN+ and AIN– pins using either dc- or ac-coupling.

For single-ended sources, the signal can be dc- or ac-coupled to one of AIN+ or AIN–, and a suitable reference voltage (usually the midscale voltage, see *operating configuration examples*) must be applied to the other pin. Note that connecting the signal to AIN– results in it being inverted during sampling.

The sample and hold differential output voltage  $VQ = (VQ+) - (VQ-)$  is given by:

$$VQ = (AIN+) - (AIN-) \quad (1)$$

### analog-to-digital converter

VQ is digitized by the ADC, using the voltages at pins REFT and REFB to set the ADC zero-scale (code 0) and full-scale (code 1023) input voltages.

$$VQ(ZS) = - (REFT - REFB) \quad (2)$$

$$VQ(FS) = (REFT - REFB) \quad (3)$$

Any inputs at AIN+ and AIN– that give VQ voltages less than VQ(ZS) or greater than VQ(FS) lie outside the ADC's conversion range and attempts to convert such voltages are signalled by driving pin OVR high when the conversion result is output. VQ voltages less than VQ(ZS) digitize to give ADC output code 0 and VQ voltages greater than VQ(FS) give ADC output code 1023.

### complete system and system input range

Combining the above equations to find the input voltages  $[(AIN+) - (AIN-)]$  that correspond to the limits of the ADC's valid input range gives:

$$(REFB - REFT) \leq [(AIN+) - (AIN-)] \leq (REFT - REFB) \quad (4)$$

For both single-ended and differential inputs, the ADC can thus handle signals with a peak-to-peak input range  $[(AIN+) - (AIN-)]$  of:

$$[(AIN+) - (AIN-)] \text{ pk-pk input range} = 2 \times (REFT - REFB) \quad (5)$$

The REFT and REFB voltage difference and the gain sets the device input range. The next sections describe in detail the various methods available for setting voltages REFT and REFB to obtain the desired input span and device performance.

PRINCIPLES OF OPERATION

ADC reference generation

The THS1040 ADC references REFT and REFB can be driven from external (off-chip) sources or from the internal (on-chip) reference buffer A2. The voltage at the MODE pin determines the ADC references source.

Connecting MODE to AGND enables external ADC references mode. In this mode the internal buffer A2 is powered down and the user must provide the REFT and REFB voltages by connecting external sources directly to these pins. This mode is useful where several THS1040 devices must share common references for best matching of their ADC input ranges, or when the application requires better accuracy and temperature stability than the on-chip reference source can provide.

Connecting MODE to AV<sub>DD</sub> or AV<sub>DD</sub>/2 enables internal ADC references mode. In this mode the buffer A2 is powered up and drives the REFT and REFB pins. External reference sources should not be connected in this mode. Using internal ADC references mode when possible helps to reduce the component count and hence the system cost.

When MODE is connected to AV<sub>DD</sub>, a buffered AV<sub>DD</sub>/2 voltage is available at the BIASREF pin. This voltage can be used as a dc bias level for any ac-coupling networks connecting the input signal sources to the AIN+ and AIN– pins.

MODE PIN	REFERENCE SELECTION	BIASREF PIN FUNCTION
AGND	External	High impedance
AV <sub>DD</sub> /2	Internal	High impedance
AV <sub>DD</sub>	Internal	AV <sub>DD</sub> /2 for AIN± bias

external reference mode (MODE = AGND)

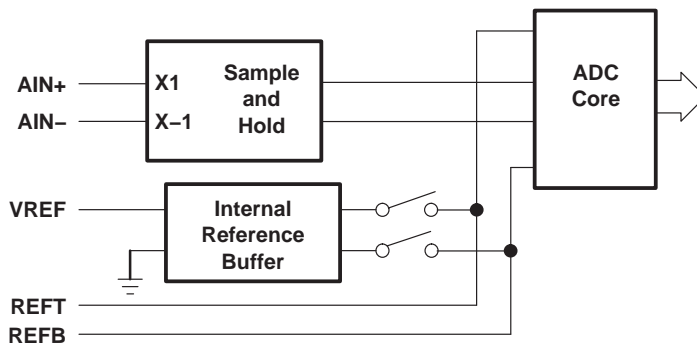


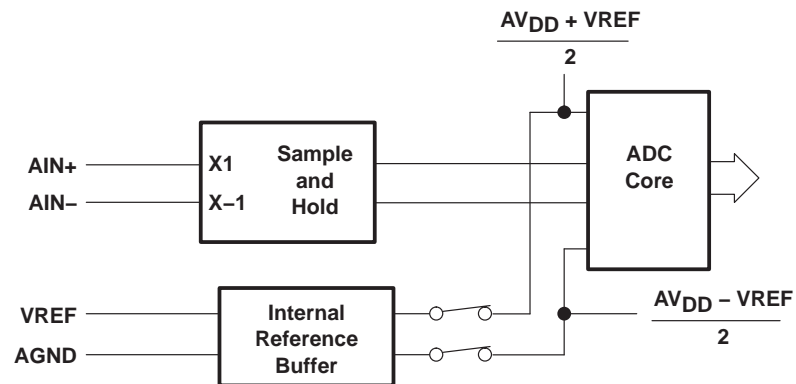
Figure 21. ADC Reference Generation, MODE = AGND

Connecting pin MODE to AGND powers down the internal references buffer A2 and disconnects its outputs from the REFT and REFB pins. The user must connect REFT and REFB to external sources to provide the ADC reference voltages required to match the THS1040 input range to their application requirements. The common-mode reference voltage must be AV<sub>DD</sub>/2 for correct THS1040 operation:

$$\frac{(REFT + REFB)}{2} = \frac{AV_{DD}}{2} \tag{6}$$



---

**PRINCIPLES OF OPERATION**
**internal reference mode (MODE = AV<sub>DD</sub> or AV<sub>DD</sub>/2)**

**Figure 22. ADC Reference Generation, MODE = AV<sub>DD</sub>/2**

Connecting MODE to AV<sub>DD</sub> or AV<sub>DD</sub>/2 enables the internal ADC references buffer A2. The outputs of A2 are connected to the REFT and REFB pins and its inputs are connected to pins VREF and AGND. The resulting voltages at REFT and REFB are:

$$\text{REFT} = \frac{(AV_{DD} + VREF)}{2} \quad (7)$$

$$\text{REFB} = \frac{(AV_{DD} - VREF)}{2} \quad (8)$$

Depending on the connection of the REFSENSE pin, the voltage on VREF may be driven by an off-chip source or by the internal bandgap reference A1 (see *onboard reference generator*) to match the THS1040 input range to their application requirements.

When MODE = AV<sub>DD</sub> the BIASREF pin provides a buffered, stabilized AV<sub>DD</sub>/2 output voltage that can be used as a bias reference for ac coupling networks connecting the signal sources to the AIN+ or AIN- inputs. This removes the need for the user to provide a stabilized external bias reference.

PRINCIPLES OF OPERATION

internal reference mode (MODE = AV<sub>DD</sub> or AV<sub>DD</sub>/2) (continued)

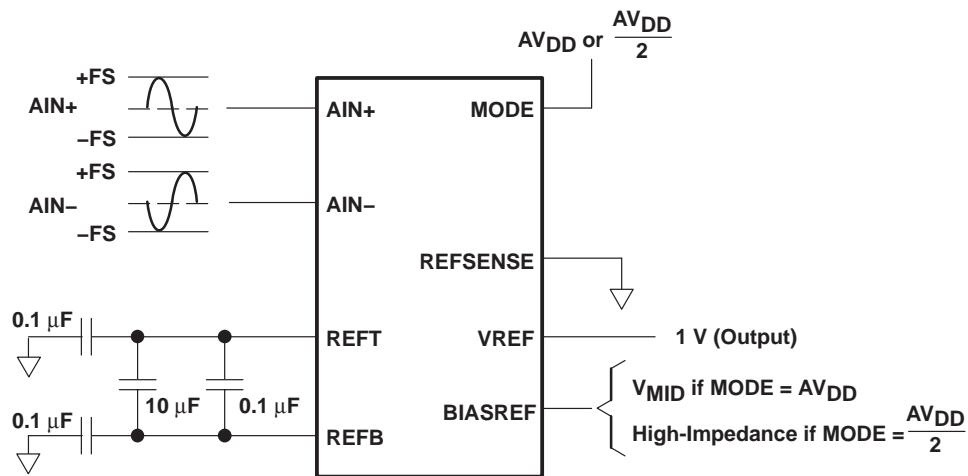


Figure 23. Internal Reference Mode, 1-V Reference Span

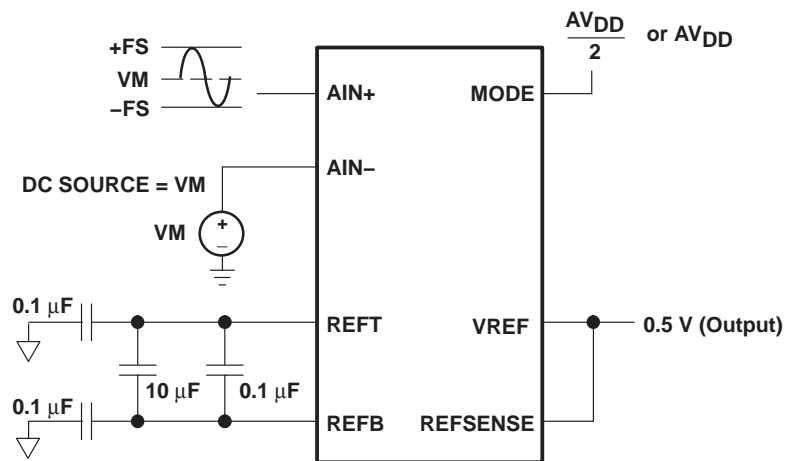


Figure 24. Internal Reference Mode, 0.5-V Reference Span, Single-Ended Input

## PRINCIPLES OF OPERATION

### onboard reference generator configuration

The internal bandgap reference A1 can provide a supply-voltage-independent and temperature-independent voltage on pin VREF.

External connections to REFSENSE control A1's output to the VREF pin as shown in Table 1.

**Table 1. Effect of REFSENSE Connection on VREF Value**

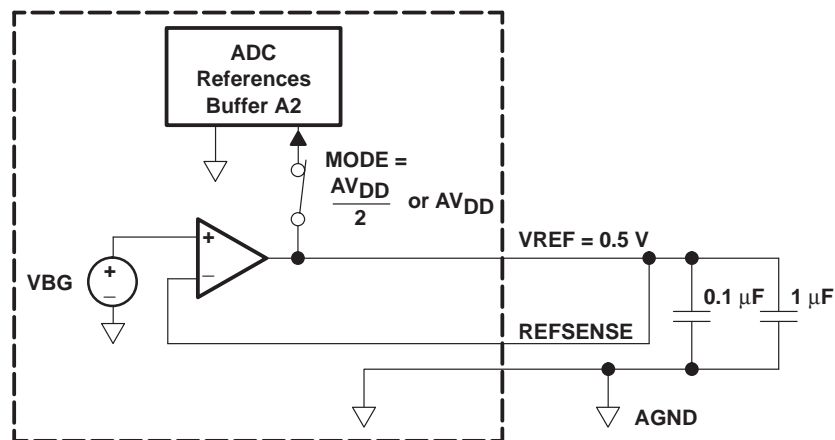
REFSENSE CONNECTION	A1 OUTPUT TO VREF	SEE:
VREF pin	0.5 V	Figure 25
AGND	1 V	Figure 26
External divider junction	$(1 + R_a/R_b)/2$ V	Figure 27
AVDD	Open circuit	Figure 28

REFSENSE = AV<sub>DD</sub> powers the internal bandgap reference A1 down, saving power when A1 is not required. If MODE is connected to AV<sub>DD</sub> or AV<sub>DD</sub>/2, then the voltage at VREF determines the ADC reference voltages:

$$\text{REFT} = \frac{\text{AV}_{\text{DD}}}{2} + \frac{\text{VREF}}{2} \quad (9)$$

$$\text{REFB} = \frac{\text{AV}_{\text{DD}}}{2} - \frac{\text{VREF}}{2} \quad (10)$$

$$\text{REFT} - \text{REFB} = \text{VREF} \quad (11)$$



**Figure 25. 0.5-V VREF Using the Internal Bandgap Reference A1**

PRINCIPLES OF OPERATION

onboard reference generator configuration (continued)

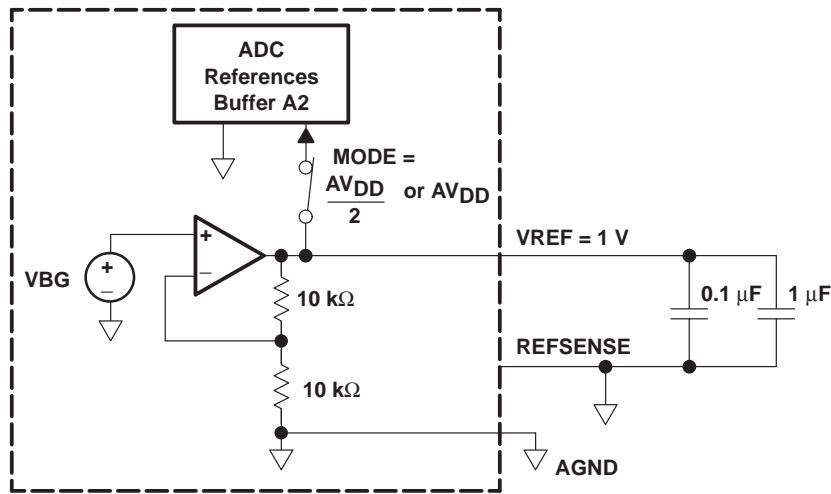


Figure 26. 1-V VREF Using the Internal Bandgap Reference A1

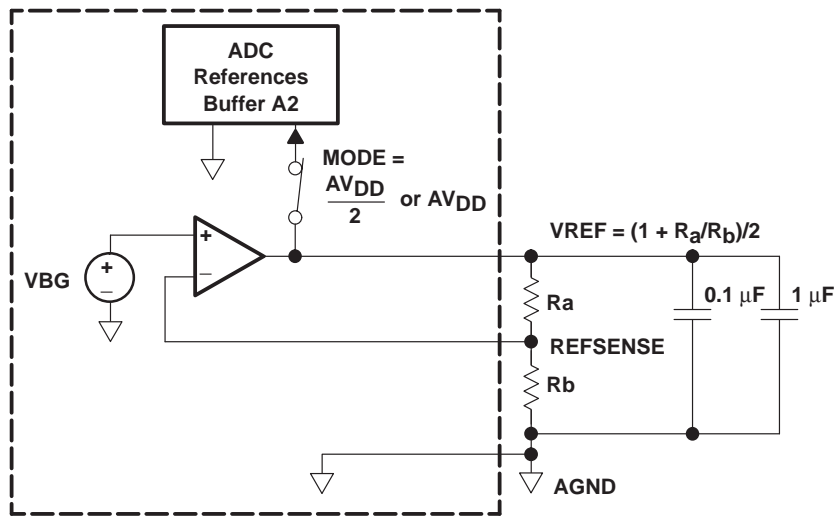


Figure 27. External Divider Mode

PRINCIPLES OF OPERATION

onboard reference generator configuration (continued)

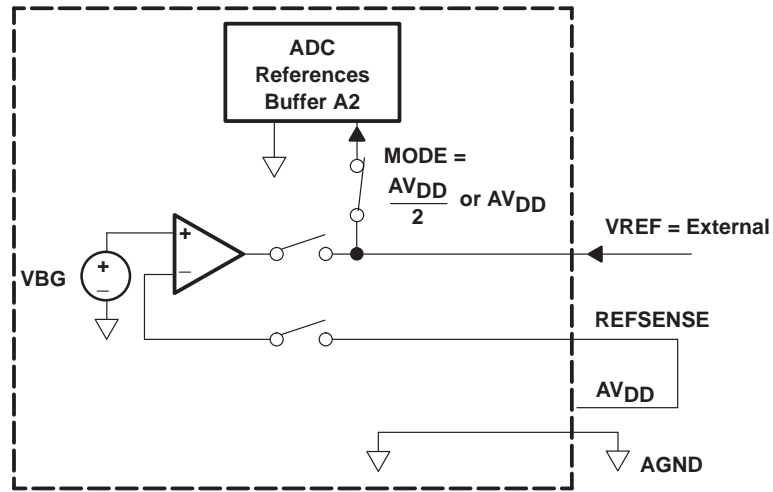


Figure 28. Drive VREF Mode

operating configuration examples

Figure 29 shows a configuration using the internal ADC references for digitizing a single-ended signal with span 0 V to 2 V. Tying REFSENSE to ground gives 1 V at pin VREF. Tying MODE to  $AV_{DD}/2$  then sets the REFT and REFB voltages via the internal reference generator for a 2- $V_{p-p}$  ADC input range. The VREF pin provides the 1-V mid-scale bias voltage required at AIN-. VREF should be well decoupled to AGND to prevent sample-and-hold switching at AIN- from corrupting the VREF voltage.

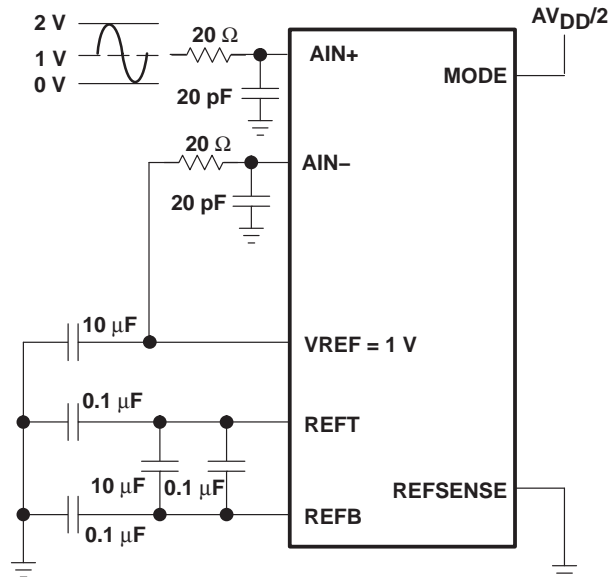


Figure 29. Operating Configuration: 2-V Single-Ended Input, Internal ADC References

PRINCIPLES OF OPERATION

operating configuration examples (continued)

Figure 30 shows a configuration using the internal ADC references for digitizing a dc-coupled differential input with 1.5-V<sub>p-p</sub> span and 1.5-V common-mode voltage. External resistors are used to set the internal bandgap reference output at VREF to 0.75 V. Tying MODE to AV<sub>DD</sub> then sets the REFT and REF<sub>B</sub> voltages via the internal reference generator for a 1.5-V<sub>p-p</sub> ADC input range.

If a transformer is used to generate the differential ADC input from a single-ended signal, then the BIASREF pin provides a suitable bias voltage for the secondary windings center tap when MODE = AV<sub>DD</sub>.

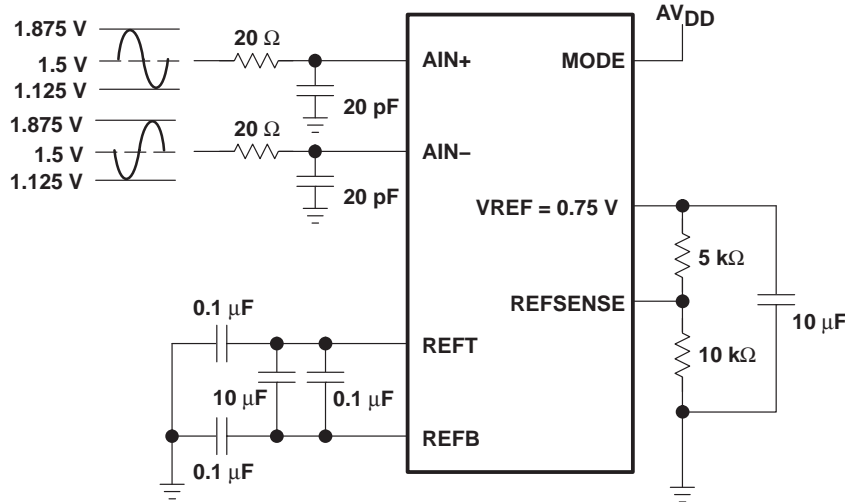


Figure 30. Operating Configuration: 1.5-V Differential Input, Internal ADC References

Figure 31 shows a configuration using the internal ADC references and an external VREF source for digitizing a dc-coupled single-ended input with span 0.5 V to 2 V. A 1.25-V external source provides the bias voltage for the AIN<sub>-</sub> pin and also, via a buffered potential divider, the 0.75 VREF voltage required to set the input range to 1.5 V<sub>p-p</sub>. MODE is tied to AV<sub>DD</sub> to set internal ADC references configuration.

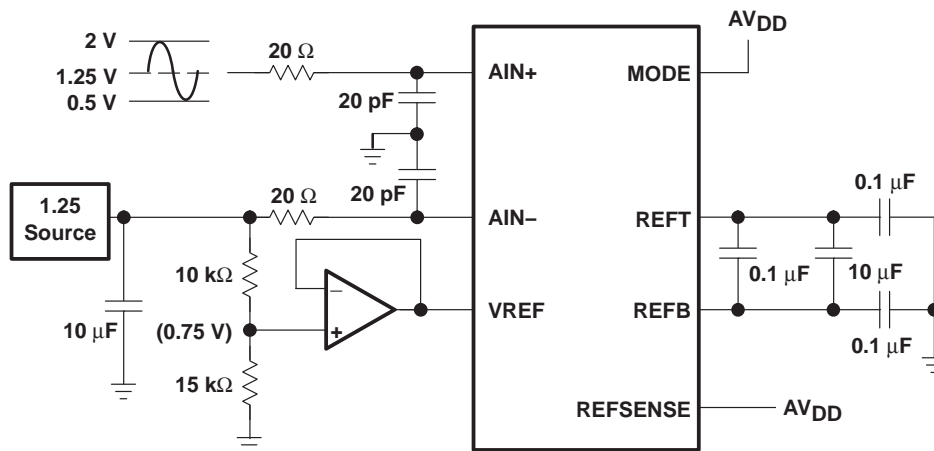


Figure 31. Operating Configuration: 1.5-V Single-Ended Input, External VREF Source

## PRINCIPLES OF OPERATION

### power management

In power-sensitive applications (such as battery-powered systems) where the THS1040 is not required to convert continuously, power can be saved between conversion intervals by placing the THS1040 into power-down mode. This is achieved by pulling the STBY pin high. In power-down mode, the device typically consumes less than 0.1 mW of power.

If the internal VREF generator (A1) is not required, it can be powered down by tying pin REFSENSE to  $AV_{DD}$ , saving approximately 1.2 mA of supply current.

If the BIASREF function is not required when using internal references then tying MODE to  $AV_{DD}/2$  powers the BIASREF buffer down, saving approximately 1.2 mA.

### digital I/O

While the  $\overline{OE}$  pin is held low, ADC conversion results are output at pins D0 (LSB) to D9 (MSB). The ADC input over-range indicator is output at pin OVR. OVR is also disabled when  $\overline{OE}$  is held high.

The only ADC output data format supported is unsigned binary (output codes 0 to 1023). Twos complement output (output codes -512 to 511) can be obtained by using an external inverter to invert the D9 output.

APPLICATION INFORMATION

driving the THS1040 analog inputs

driving the clock input

Obtaining good performance from the THS1040 requires care when driving the clock input.

Different sections of the sample-and-hold and ADC operate while the clock is low or high. The user should ensure that the clock duty cycle remains near 50% to ensure that all internal circuits have as much time as possible in which to operate.

The CLK pin should also be driven from a low jitter source for best dynamic performance. To maintain low jitter at the CLK input, any clock buffers external to the THS1040 should have fast rising edges. Use a fast logic family such as AC or ACT to drive the CLK pin, and consider powering any clock buffers separately from any other logic on the PCB to prevent digital supply noise appearing on the buffered clock edges as jitter.

As the CLK input threshold is nominally around  $AV_{DD}/2$ , any clock buffers need to have an appropriate supply voltage to drive above and below this level.

driving the sample and hold inputs

driving the AIN+ and AIN- pins

Figure 32 shows an equivalent circuit for the THS1040 AIN+ and AIN- pins. The load presented to the system at the AIN pins comprises the switched input sampling capacitor,  $C_{Sample}$ , and various stray capacitances,  $C_1$  and  $C_2$ .

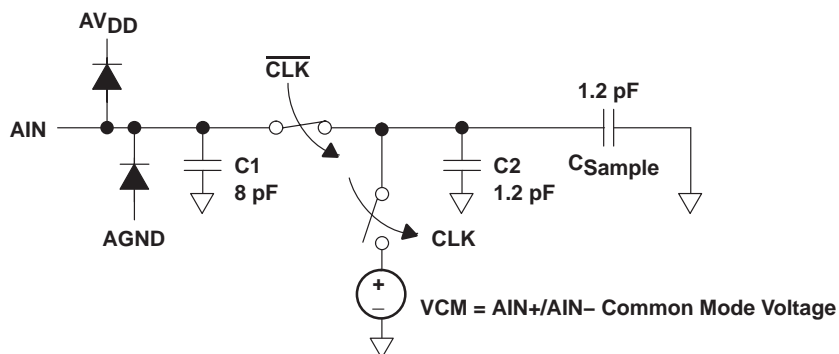


Figure 32. Equivalent Circuit for Analog Input Pins AIN+ and AIN-

The input current pulses required to charge  $C_{Sample}$  and  $C_2$  can be time averaged and the switched capacitor circuit modelled as an equivalent resistor:

$$R_{IN2} = \frac{1}{C_S \times f_{CLK}} \tag{12}$$

where  $C_S$  is the sum of  $C_{Sample}$  and  $C_2$ . This model can be used to approximate the input loading versus source resistance for high impedance sources.



APPLICATION INFORMATION

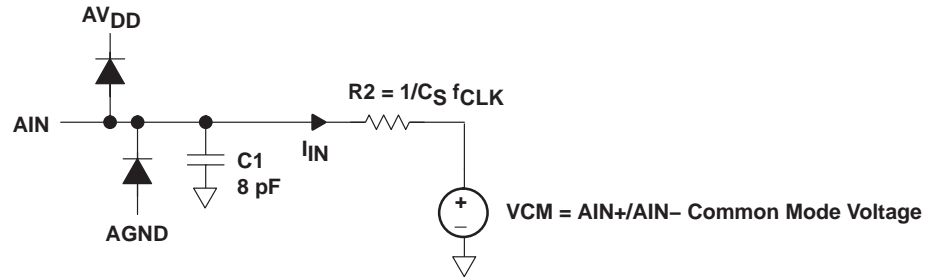


Figure 33. Equivalent Circuit for the AIN Switched Capacitor Input

**AIN input damping**

The charging current pulses into AIN+ and AIN- can make the signal sources jump or ring, especially if the sources are slightly inductive at high frequencies. Inserting a small series resistor of 20 Ω or less and a small capacitor to ground of 20 pF or less in the input path can damp source ringing (see Figure 34). The resistor and capacitor values can be made larger than 20 Ω and 20 pF if reduced input bandwidth and a slight gain error (due to potential division between the external resistors and the AIN equivalent resistors) are acceptable.

Note that the capacitors should be soldered to a clean analog ground with a common ground point to prevent any voltage drops in the ground plane appearing as a differential voltage at the ADC inputs.

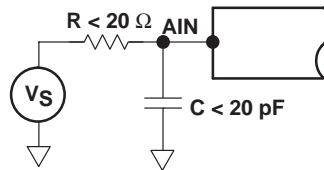


Figure 34. Damping Source Ringing Using a Small Resistor and Capacitor

**driving the VREF pin**

Figure 35 shows the equivalent load on the VREF pin when driving the ADC internal references buffer via this pin (MODE = AV<sub>DD</sub>/2 or AV<sub>DD</sub> and REFSENSE = AV<sub>DD</sub>).

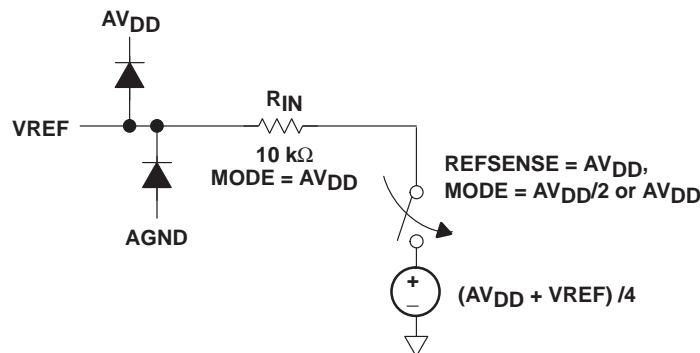


Figure 35. Equivalent Circuit of VREF

The nominal input current I<sub>REF</sub> is given by:

$$I_{REF} = \frac{3 V_{REF} - AV_{DD}}{4 \times R_{IN}} \tag{13}$$

APPLICATION INFORMATION

driving the VREF pin (continued)

Note that the maximum current may be up to 30% higher. The user should ensure that VREF is driven from a low noise, low drift source, well decoupled to analog ground and capable of driving the maximum I<sub>REF</sub>.

driving REFT and REFB (external ADC references, MODE = AGND)

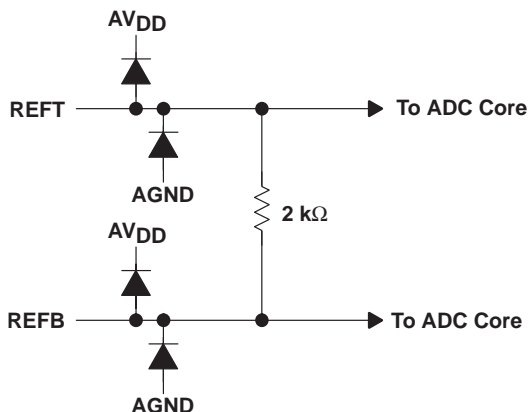


Figure 36. Equivalent Circuit of REFT and REFB Inputs

reference decoupling

VREF pin

When the on-chip reference generator is enabled, the VREF pin should be decoupled to the circuit board's analog ground plane close to the THS1040 AGND pin via a 1-μF capacitor and a 0.1-μF ceramic capacitor.

REFT and REFB pins

In any mode of operation, the REFT and REFB pins should be decoupled as shown in Figure 37. Use short board traces between the THS1040 and the capacitors to minimize parasitic inductance.

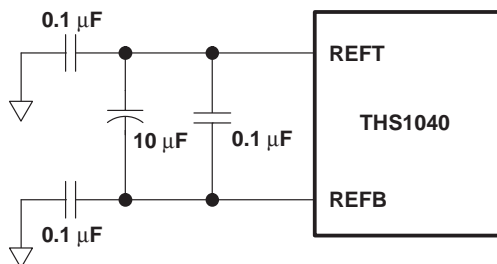


Figure 37. Recommended Decoupling for the ADC Reference Pins REFT and REFB

BIASREF pin

When using the on-chip BIASREF source, the BIASREF pin should be decoupled to the circuit board's analog ground plane close to the THS1040 AGND pin via a 1-μF capacitor and a 0.1-μF ceramic capacitor.

---

## APPLICATION INFORMATION

### supply decoupling

The analog ( $AV_{DD}$ , AGND) and digital ( $DV_{DD}$ , DGND) power supplies to the THS1040 must be separately decoupled for best performance. Each supply needs at least a 10- $\mu$ F electrolytic or tantalum capacitor (as a charge reservoir) and a 100-nF ceramic type capacitor placed as close as possible to the respective pins (to suppress spikes and supply noise).

### digital output loading and circuit board layout

The THS1040 outputs are capable of driving rail-to-rail with up to 10 pF of load per pin at 40-MHz clock frequency and 3-V digital supply. Minimizing the load on the outputs improves THS1040 signal-to-noise performance by reducing the switching noise coupling from the THS1040 output buffers to the internal analog circuits. The output load capacitance can be minimized by buffering the THS1040 digital outputs with a low input capacitance buffer placed as close to the output pins as physically possible, and by using the shortest possible tracks between the THS1040 and this buffer. Inserting small resistors in the range 100  $\Omega$  to 300  $\Omega$  between the THS1040 I/O outputs and their loads can help minimize the output-related noise in noise-critical applications.

Noise levels at the output buffers, which may affect the analog circuits within THS1040, increase with the digital supply voltage. Where possible, consider using the lowest  $DV_{DD}$  that the application can tolerate.

Use good layout practices when designing the application PCB to ensure that any off-chip return currents from the THS1040 digital outputs (and any other digital circuits on the PCB) do not return via the supplies to any sensitive analog circuits. The THS1040 should be soldered directly to the PCB for best performance. Socketing the device degrades performance by adding parasitic socket inductance and capacitance to all pins.

### user tips for obtaining best performance from the THS1040

- Choose differential input mode for best distortion performance.
- Choose a 2-V ADC input span for best noise performance.
- Choose a 1-V ADC input span for best distortion performance.
- Drive the clock input CLK from a low-jitter, fast logic stage, with a well-decoupled power supply and short PCB traces.
- Use a small RC filter (typically 20  $\Omega$  and 20 pF) between the signal source(s) the AIN+ (and AIN-) input(s) when the systems bandwidth requirements allow this.

## APPLICATION INFORMATION

### definitions

- Integral nonlinearity (INL)—Integral nonlinearity refers to the deviation of each individual code from a line drawn from zero to full scale. The point used as zero occurs 1/2 LSB before the first code transition. The full-scale point is defined as a level 1/2 LSB beyond the last code transition. The deviation is measured from the center of each particular code to the true straight line between these two endpoints.
- Differential nonlinearity (DNL)—An ideal ADC exhibits code transitions that are exactly 1 LSB apart. DNL is the deviation from this ideal value. Therefore this measure indicates how uniform the transfer function step sizes are. The ideal step size is defined here as the step size for the device under test (i.e., (last transition level – first transition level) ÷ (2<sup>n</sup> – 2)). Using this definition for DNL separates the effects of gain and offset error. A minimum DNL better than –1 LSB ensures no missing codes.
- Zero-error—Zero-error is defined as the difference in analog input voltage—between the ideal voltage and the actual voltage—that switches the ADC output from code 0 to code 1. The ideal voltage level is determined by adding the voltage corresponding to 1/2 LSB to the bottom reference level. The voltage corresponding to 1 LSB is found from the difference of top and bottom references divided by the number of ADC output levels (1024).
- Full-scale error—Full-scale error is defined as the difference in analog input voltage—between the ideal voltage and the actual voltage—that switches the ADC output from code 1022 to code 1023. The ideal voltage level is determined by subtracting the voltage corresponding to 1.5 LSB from the top reference level. The voltage corresponding to 1 LSB is found from the difference of top and bottom references divided by the number of ADC output levels (1024).
- Wake-up time—Wake-up time is from the power-down state to accurate ADC samples being taken and is specified for MODE = AGND with external reference sources applied to the device at the time of release of power-down, and an applied 40-MHz clock. Circuits that need to power up are the bandgap, bias generator, ADC, and SHA.
- Power-up time—Power-up time is from the power-down state to accurate ADC samples being taken and is specified for MODE = AV<sub>DD</sub>/2 or AV<sub>DD</sub> and an applied 40-MHz clock. Circuits that need to power up include VREF reference generation (A1), bias generator, ADC, the SHA, and the on-chip ADC reference generator (A2).
- Aperture delay—The delay between the 50% point of the rising edge of the clock and the instant at which the analog input is sampled.
- Aperture uncertainty (Jitter)—The sample-to-sample variation in aperture delay.

**PACKAGING INFORMATION**

Orderable Device	Status <sup>(1)</sup>	Package Type	Package Drawing	Pins	Package Qty	Eco Plan <sup>(2)</sup>	Lead/Ball Finish	MSL Peak Temp <sup>(3)</sup>
THS1040CDW	ACTIVE	SOIC	DW	28	20	Pb-Free (RoHS)	CU NIPDAU	Level-2-250C-1YEAR/ Level-1-220C-UNLIM
THS1040CDWR	ACTIVE	SOIC	DW	28	1000	Pb-Free (RoHS)	CU NIPDAU	Level-2-250C-1YEAR/ Level-1-220C-UNLIM
THS1040CPW	ACTIVE	TSSOP	PW	28	50	None	CU NIPDAU	Level-2-220C-1 YEAR
THS1040CPWR	ACTIVE	TSSOP	PW	28	2000	None	CU NIPDAU	Level-2-220C-1 YEAR
THS1040IDW	ACTIVE	SOIC	DW	28	20	Pb-Free (RoHS)	CU NIPDAU	Level-2-250C-1YEAR/ Level-1-220C-UNLIM
THS1040IDWR	ACTIVE	SOIC	DW	28	1000	Pb-Free (RoHS)	CU NIPDAU	Level-2-250C-1YEAR/ Level-1-220C-UNLIM
THS1040IPW	ACTIVE	TSSOP	PW	28	50	None	CU NIPDAU	Level-2-220C-1 YEAR
THS1040IPWR	ACTIVE	TSSOP	PW	28	2000	None	CU NIPDAU	Level-2-220C-1 YEAR
THS1040IPWRG4	ACTIVE	TSSOP	PW	28	2000	Green (RoHS & no Sb/Br)	CU NIPDAU	Level-1-260C-UNLIM

<sup>(1)</sup> The marketing status values are defined as follows:

**ACTIVE:** Product device recommended for new designs.

**LIFEBUY:** TI has announced that the device will be discontinued, and a lifetime-buy period is in effect.

**NRND:** Not recommended for new designs. Device is in production to support existing customers, but TI does not recommend using this part in a new design.

**PREVIEW:** Device has been announced but is not in production. Samples may or may not be available.

**OBSOLETE:** TI has discontinued the production of the device.

<sup>(2)</sup> Eco Plan - May not be currently available - please check <http://www.ti.com/productcontent> for the latest availability information and additional product content details.

**None:** Not yet available Lead (Pb-Free).

**Pb-Free (RoHS):** TI's terms "Lead-Free" or "Pb-Free" mean semiconductor products that are compatible with the current RoHS requirements for all 6 substances, including the requirement that lead not exceed 0.1% by weight in homogeneous materials. Where designed to be soldered at high temperatures, TI Pb-Free products are suitable for use in specified lead-free processes.

**Green (RoHS & no Sb/Br):** TI defines "Green" to mean "Pb-Free" and in addition, uses package materials that do not contain halogens, including bromine (Br) or antimony (Sb) above 0.1% of total product weight.

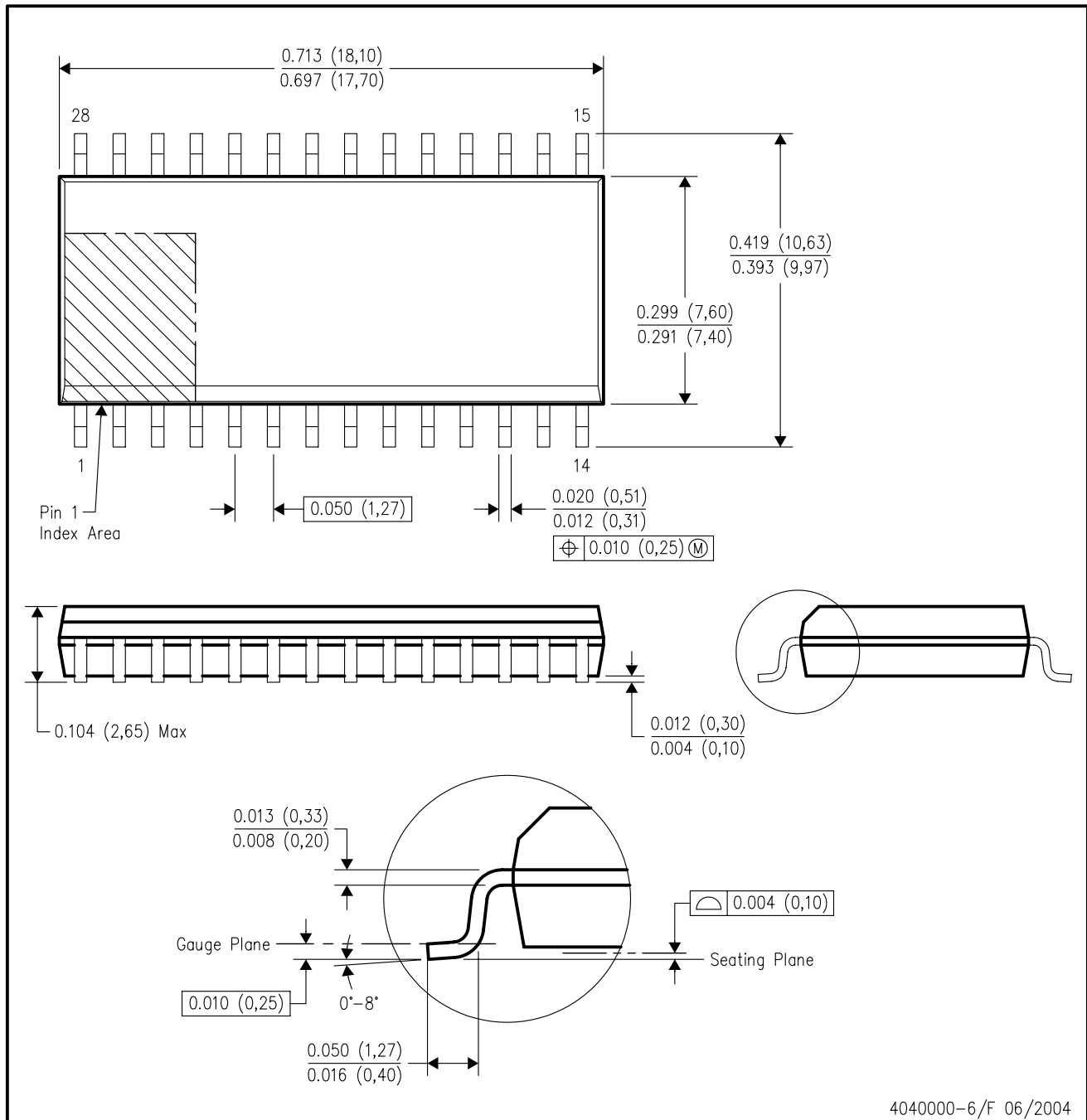
<sup>(3)</sup> MSL, Peak Temp. -- The Moisture Sensitivity Level rating according to the JEDEC industry standard classifications, and peak solder temperature.

**Important Information and Disclaimer:** The information provided on this page represents TI's knowledge and belief as of the date that it is provided. TI bases its knowledge and belief on information provided by third parties, and makes no representation or warranty as to the accuracy of such information. Efforts are underway to better integrate information from third parties. TI has taken and continues to take reasonable steps to provide representative and accurate information but may not have conducted destructive testing or chemical analysis on incoming materials and chemicals. TI and TI suppliers consider certain information to be proprietary, and thus CAS numbers and other limited information may not be available for release.

In no event shall TI's liability arising out of such information exceed the total purchase price of the TI part(s) at issue in this document sold by TI to Customer on an annual basis.

DW (R-PDSO-G28)

PLASTIC SMALL-OUTLINE PACKAGE



4040000-6/F 06/2004

- NOTES:
- A. All linear dimensions are in inches (millimeters).
  - B. This drawing is subject to change without notice.
  - C. Body dimensions do not include mold flash or protrusion not to exceed 0.006 (0,15).
  - D. Falls within JEDEC MS-013 variation AE.

PW (R-PDSO-G\*\*)

PLASTIC SMALL-OUTLINE PACKAGE

14 PINS SHOWN



4040064/F 01/97

- NOTES: A. All linear dimensions are in millimeters.  
 B. This drawing is subject to change without notice.  
 C. Body dimensions do not include mold flash or protrusion not to exceed 0,15.  
 D. Falls within JEDEC MO-153

## IMPORTANT NOTICE

Texas Instruments Incorporated and its subsidiaries (TI) reserve the right to make corrections, modifications, enhancements, improvements, and other changes to its products and services at any time and to discontinue any product or service without notice. Customers should obtain the latest relevant information before placing orders and should verify that such information is current and complete. All products are sold subject to TI's terms and conditions of sale supplied at the time of order acknowledgment.

TI warrants performance of its hardware products to the specifications applicable at the time of sale in accordance with TI's standard warranty. Testing and other quality control techniques are used to the extent TI deems necessary to support this warranty. Except where mandated by government requirements, testing of all parameters of each product is not necessarily performed.

TI assumes no liability for applications assistance or customer product design. Customers are responsible for their products and applications using TI components. To minimize the risks associated with customer products and applications, customers should provide adequate design and operating safeguards.

TI does not warrant or represent that any license, either express or implied, is granted under any TI patent right, copyright, mask work right, or other TI intellectual property right relating to any combination, machine, or process in which TI products or services are used. Information published by TI regarding third-party products or services does not constitute a license from TI to use such products or services or a warranty or endorsement thereof. Use of such information may require a license from a third party under the patents or other intellectual property of the third party, or a license from TI under the patents or other intellectual property of TI.

Reproduction of information in TI data books or data sheets is permissible only if reproduction is without alteration and is accompanied by all associated warranties, conditions, limitations, and notices. Reproduction of this information with alteration is an unfair and deceptive business practice. TI is not responsible or liable for such altered documentation.

Resale of TI products or services with statements different from or beyond the parameters stated by TI for that product or service voids all express and any implied warranties for the associated TI product or service and is an unfair and deceptive business practice. TI is not responsible or liable for any such statements.

Following are URLs where you can obtain information on other Texas Instruments products and application solutions:

<b>Products</b>		<b>Applications</b>	
Amplifiers	<a href="http://amplifier.ti.com">amplifier.ti.com</a>	Audio	<a href="http://www.ti.com/audio">www.ti.com/audio</a>
Data Converters	<a href="http://dataconverter.ti.com">dataconverter.ti.com</a>	Automotive	<a href="http://www.ti.com/automotive">www.ti.com/automotive</a>
DSP	<a href="http://dsp.ti.com">dsp.ti.com</a>	Broadband	<a href="http://www.ti.com/broadband">www.ti.com/broadband</a>
Interface	<a href="http://interface.ti.com">interface.ti.com</a>	Digital Control	<a href="http://www.ti.com/digitalcontrol">www.ti.com/digitalcontrol</a>
Logic	<a href="http://logic.ti.com">logic.ti.com</a>	Military	<a href="http://www.ti.com/military">www.ti.com/military</a>
Power Mgmt	<a href="http://power.ti.com">power.ti.com</a>	Optical Networking	<a href="http://www.ti.com/opticalnetwork">www.ti.com/opticalnetwork</a>
Microcontrollers	<a href="http://microcontroller.ti.com">microcontroller.ti.com</a>	Security	<a href="http://www.ti.com/security">www.ti.com/security</a>
		Telephony	<a href="http://www.ti.com/telephony">www.ti.com/telephony</a>
		Video & Imaging	<a href="http://www.ti.com/video">www.ti.com/video</a>
		Wireless	<a href="http://www.ti.com/wireless">www.ti.com/wireless</a>

Mailing Address: Texas Instruments  
Post Office Box 655303 Dallas, Texas 75265