

LM317 3-TERMINAL ADJUSTABLE REGULATOR

SLVS044H – SEPTEMBER 1997 – REVISED DECEMBER 2001

- Output Voltage Range Adjustable From 1.2 V to 37 V
- Output Current Greater Than 1.5 A
- Internal Short-Circuit Current Limiting
- Thermal Overload Protection
- Output Safe-Area Compensation
- Package Options Include Plastic Small-Outline Transistor SOT-223 (DCY), Flange Mounted (KTE) and Heat-Sink Mounted (KC) Packages

description

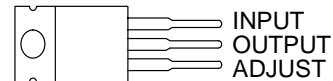
The LM317 is an adjustable three-terminal positive-voltage regulator capable of supplying more than 1.5 A over an output-voltage range of 1.2 V to 37 V. It is exceptionally easy to use and requires only two external resistors to set the output voltage. Furthermore, both line and load regulation are better than standard fixed regulators. The LM317 is packaged in the KC (TO-220AB) and KTE packages, which are easy to handle and use.

In addition to having higher performance than fixed regulators, this device includes on-chip current limiting, thermal overload protection, and safe-operating-area protection. All overload protection remains fully functional, even if the ADJUST terminal is disconnected.

The LM317 is versatile in its applications, including uses in programmable output regulation and local on-card regulation. Or, by connecting a fixed resistor between the ADJUST and OUTPUT terminals, the LM317 can function as a precision current regulator. An optional output capacitor can be added to improve transient response. The ADJUST terminal can be bypassed to achieve very high ripple-rejection ratios, which are difficult to achieve with standard three-terminal regulators.

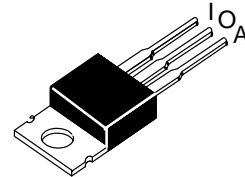
The LM317 is characterized for operation over the virtual junction temperature range of 0°C to 125°C.

KC PACKAGE
(TOP VIEW)

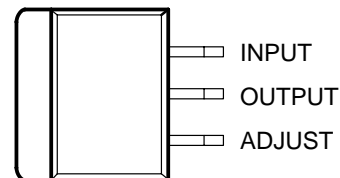


The OUTPUT terminal is in electrical contact with the mounting base.

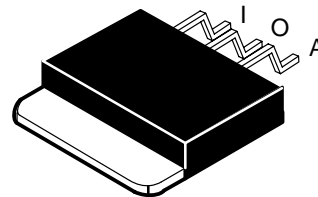
TO-220AB



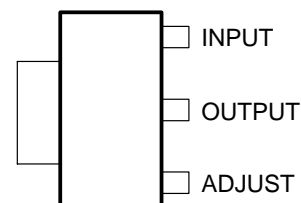
KTE PACKAGE
(TOP VIEW)



The OUTPUT terminal is in electrical contact with the mounting base.



DCY PACKAGE
(TOP VIEW)



Please be aware that an important notice concerning availability, standard warranty, and use in critical applications of Texas Instruments semiconductor products and disclaimers thereto appears at the end of this data sheet.

PRODUCTION DATA information is current as of publication date. Products conform to specifications per the terms of Texas Instruments standard warranty. Production processing does not necessarily include testing of all parameters.

 **TEXAS
INSTRUMENTS**

POST OFFICE BOX 655303 • DALLAS, TEXAS 75265

Copyright © 2001, Texas Instruments Incorporated

LM317

3-TERMINAL ADJUSTABLE REGULATOR

SLVS044H – SEPTEMBER 1997 – REVISED DECEMBER 2001

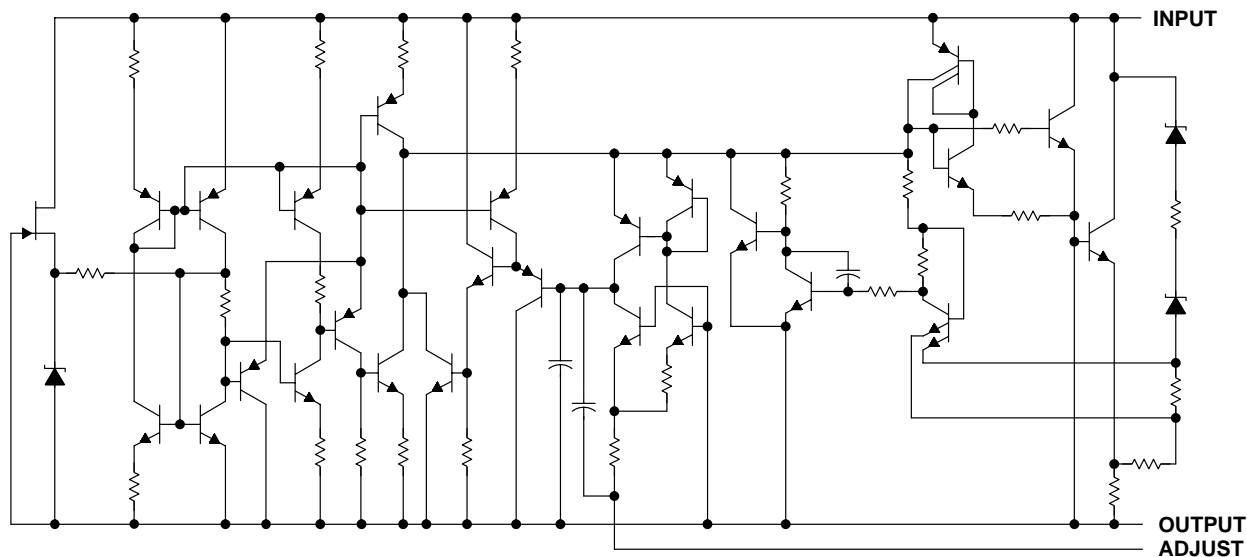
AVAILABLE OPTIONS

T _J	PACKAGED DEVICES		
	HEAT-SINK (DCY) [†]	HEAT-SINK MOUNTED, TO-220 (KC)	PLASTIC FLANGE MOUNTED, POWER FLEX (KTE) [‡]
0°C to 125°C	LM317DCY	LM317KC	LM317KTER

[†] The DCY package also is available taped and reeled, e.g., LM317DCYR.

[‡] The KTE package has the same footprint as TO-263 and can be mounted on a TO-263 land pattern. The KTE package is only available taped and reeled.

schematic diagram



absolute maximum ratings over virtual junction temperature range (unless otherwise noted)[§]

Input-to-output differential voltage, $V_I - V_O$	40 V
Package thermal impedance, θ_{JA} (see Notes 1 and 2): DCY package	49°C/W
(see Notes 1 and 3): KC package	25°C/W
(see Notes 1 and 2): KTE package	23°C/W
Lead temperature 1,6 mm (1/16 inch) from case for 10 seconds	260°C
Storage temperature range, T_{stg}	-65°C to 150°C

[§] Stresses beyond those listed under “absolute maximum ratings” may cause permanent damage to the device. These are stress ratings only, and functional operation of the device at these or any other conditions beyond those indicated under “recommended operating conditions” is not implied. Exposure to absolute-maximum-rated conditions for extended periods may affect device reliability.

- NOTES: 1. Maximum power dissipation is a function of $T_J(\max)$, θ_{JA} , and T_A . The maximum allowable power dissipation at any allowable ambient temperature is $P_D = (T_J(\max) - T_A)/\theta_{JA}$. Operating at the absolute maximum T_J of 150°C can affect reliability.
2. The package thermal impedance is calculated in accordance with JESD 51-5.
3. The package thermal impedance is calculated in accordance with JESD 51-7.

recommended operating conditions

	MIN	MAX	UNIT
$V_I - V_O$ Input-to-output voltage differential	3	37	V
I_O Output current		1.5	A
T_J Operating virtual junction temperature	0	125	°C



POST OFFICE BOX 655303 • DALLAS, TEXAS 75265

LM317

3-TERMINAL ADJUSTABLE REGULATOR

SLVS044H – SEPTEMBER 1997 – REVISED DECEMBER 2001

electrical characteristics over recommended ranges of operating virtual junction temperature (unless otherwise noted)

PARAMETER	TEST CONDITION [†]		MIN	TYP	MAX	UNIT	
Input voltage (line) regulation [‡]	$V_I - V_O = 3\text{ V to }40\text{ V}$	$T_J = 25^\circ\text{C}$		0.01	0.04	%V	
		$T_J = 0^\circ\text{C to }125^\circ\text{C}$		0.02	0.07		
Output voltage (load) regulation	$I_O = 10\text{ mA to }1500\text{ mA}$	$C_{ADJ} = 10\ \mu\text{F}^{\S}, T_J = 25^\circ\text{C}$	$V_O \leq 5\text{ V}$		25	mV	
			$V_O \geq 5\text{ V}$		0.1	0.5	% V_O
		$T_J = 0^\circ\text{C to }125^\circ\text{C}$	$V_O \leq 5\text{ V}$		20	70	mV
			$V_O \geq 5\text{ V}$		0.3	1.5	% V_O
Thermal regulation	20-ms pulse,	$T_J = 25^\circ\text{C}$		0.03	0.07	% V_O/W	
ADJUST terminal current				50	100	μA	
Change in ADJUST terminal current	$V_I - V_O = 2.5\text{ V to }40\text{ V}, P_D \leq 20\text{ W}, I_O = 10\text{ mA to }1500\text{ mA}$			0.2	5	μA	
Reference voltage (V_{ref}) (OUTPUT to ADJUST)	$V_I - V_O = 3\text{ V to }40\text{ V}, P_D \leq 20\text{ W}, I_O = 10\text{ mA to }1500\text{ mA}$		1.2	1.25	1.3	V	
Output-voltage temperature stability	$T_J = 0^\circ\text{C to }125^\circ\text{C}$			0.7		% V_O	
Minimum load current to maintain regulation	$V_I - V_O = 40\text{ V}$			3.5	10	mA	
Peak output current	$V_I - V_O \leq 15\text{ V}, P_D < P_{MAX}$ (see Note 1)		1.5	2.2		A	
	$V_I - V_O \leq 40\text{ V}, P_D < P_{MAX}$ (see Note 1), $T_J = 25^\circ\text{C}$		0.15	0.4			
Output noise voltage (RMS)	$f = 10\text{ Hz to }10\text{ kHz}, T_J = 25^\circ\text{C}$			0.003		% V_O	
Ripple rejection	$V_O = 10\text{ V}, f = 120\text{ Hz}$	$C_{ADJ} = 0\ \mu\text{F}^{\S}$		57		dB	
		$C_{ADJ} = 10\ \mu\text{F}^{\S}$		62	64		
Long-term stability	$T_J = 25^\circ\text{C}$			0.3	1	%/1k Hrs	

[†] Unless otherwise noted, the following test conditions apply: $|V_I - V_O| = 5\text{ V}$ and $I_{O\text{MAX}} = 1.5\text{ A}$, $T_J = 0^\circ\text{C to }125^\circ\text{C}$. Pulse testing techniques are used to maintain the junction temperature as close to the ambient temperature as possible.

[‡] Input regulation is expressed here as the percentage change in output voltage per 1-V change at the input.

[§] C_{ADJ} is connected between the ADJUST terminal and GND.

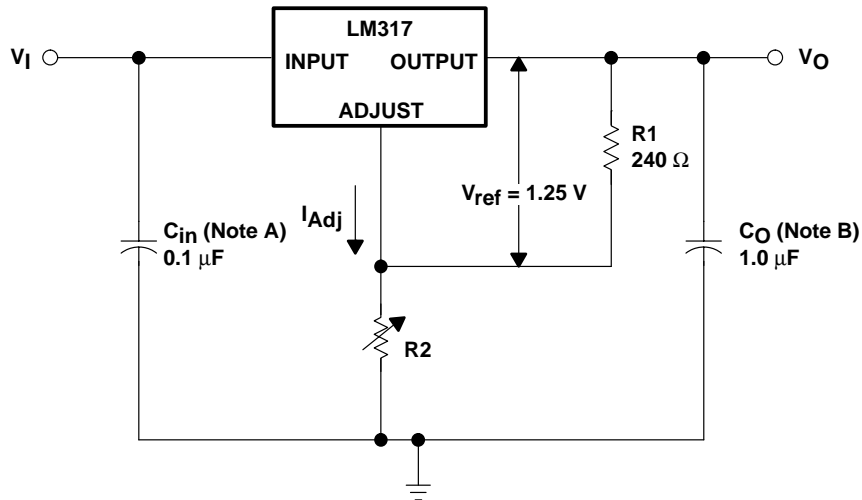
NOTE 4: Maximum power dissipation is a function of $T_J(\text{max})$, θ_{JA} , and T_A . The maximum allowable power dissipation at any allowable ambient temperature is $P_D = (T_J(\text{max}) - T_A)/\theta_{JA}$. Operating at the absolute maximum T_J of 150°C can affect reliability.

LM317

3-TERMINAL ADJUSTABLE REGULATOR

SLVS044H – SEPTEMBER 1997 – REVISED DECEMBER 2001

APPLICATION INFORMATION



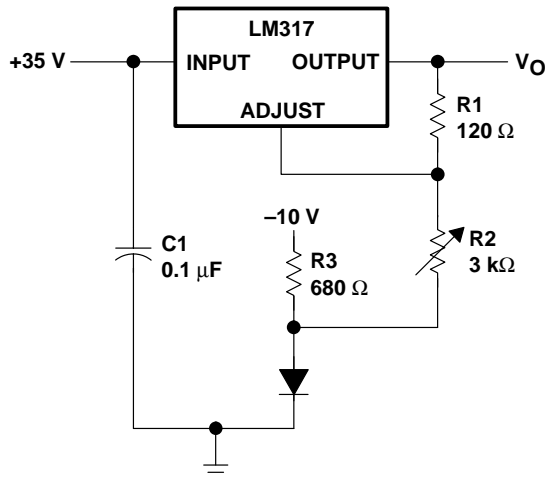
NOTES: A. C_{in} is not required if the regulator is close enough to the power-supply filter.
 B. C_O improves transient response, but is not needed for stability.

V_{out} is calculated as:

$$V_{out} = V_{ref} \left(1 + \frac{R2}{R1} \right) + (I_{Adj} \times R2)$$

Since I_{Adj} is typically 50 μA , it is negligible in most applications.

Figure 1. Adjustable Voltage Regulator



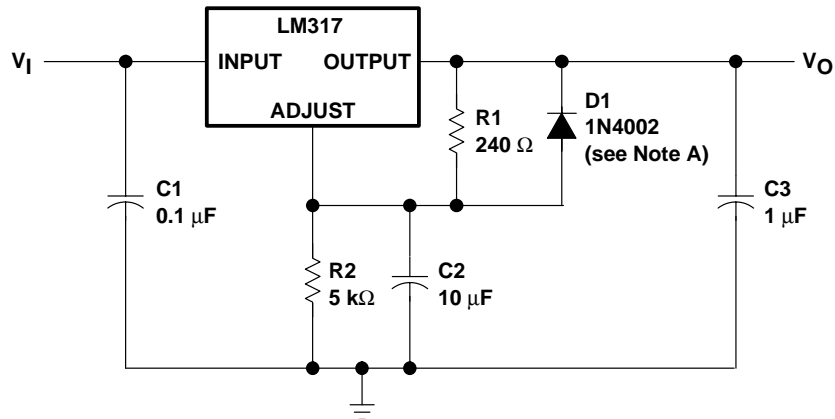
V_{out} is calculated as:

$$V_{out} = V_{ref} \left(1 + \frac{R2 + R3}{R1} \right) + I_{Adj} (R2 + R3) - 10 V$$

Since I_{Adj} is typically 50 μA , it is negligible in most applications.

Figure 2. 0-V to 30-V Regulator Circuit

APPLICATION INFORMATION



NOTE A: D1 discharges C2 if the output is shorted to ground.

Figure 3. Adjustable Regulator Circuit With Improved Ripple Rejection

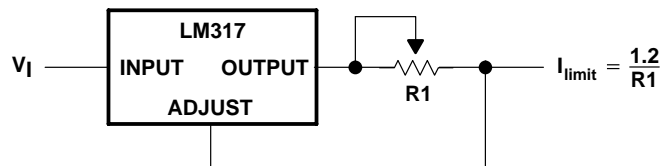


Figure 4. Precision Current-Limiter Circuit

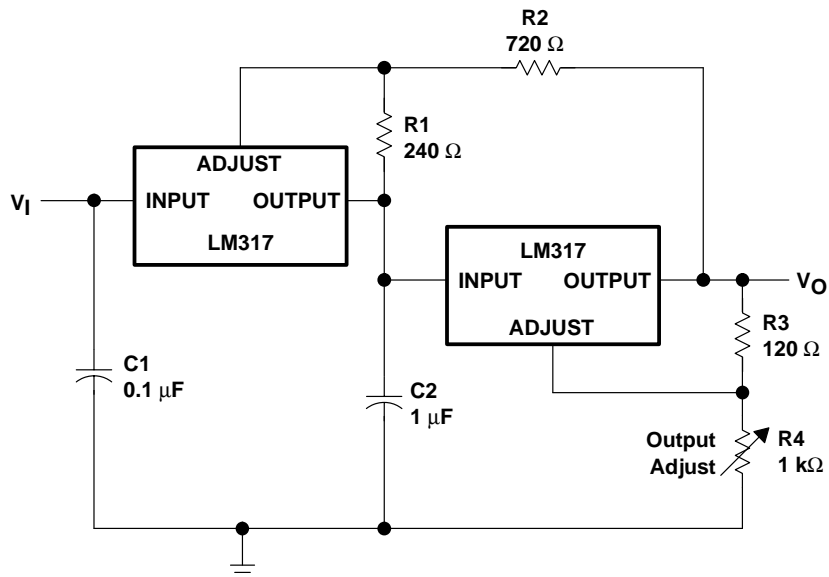


Figure 5. Tracking Preregulator Circuit

LM317

3-TERMINAL ADJUSTABLE REGULATOR

SLVS044H – SEPTEMBER 1997 – REVISED DECEMBER 2001

APPLICATION INFORMATION

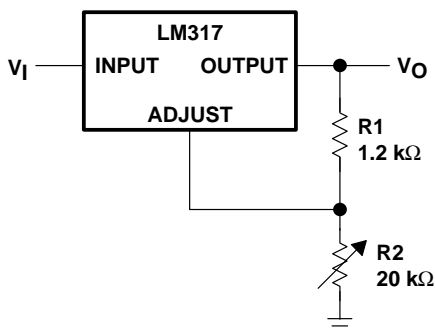
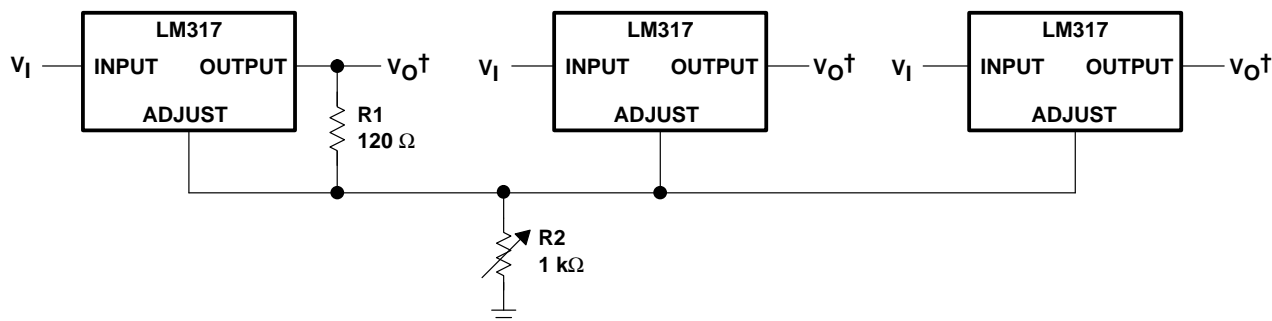
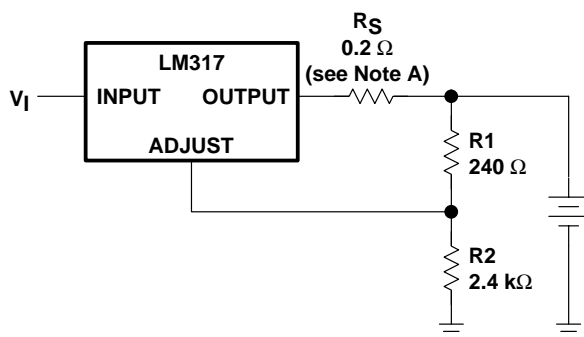


Figure 6. 1.2-V to 20-V Regulator Circuit With Minimum Program Current



† Minimum load current from each output is 10 mA. All output voltages are within 200 mV of each other.

Figure 7. Adjusting Multiple On-Card Regulators With a Single Control



NOTE A: R_S controls the output impedance of the charger.

$$Z_{OUT} = R_S \left(1 + \frac{R_2}{R_1} \right)$$

The use of R_S allows for low charging rates with a fully charged battery.

Figure 8. Battery-Charger Circuit

APPLICATION INFORMATION

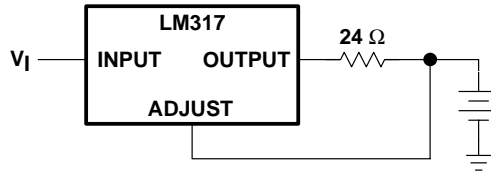


Figure 9. 50-mA Constant-Current Battery-Charger Circuit

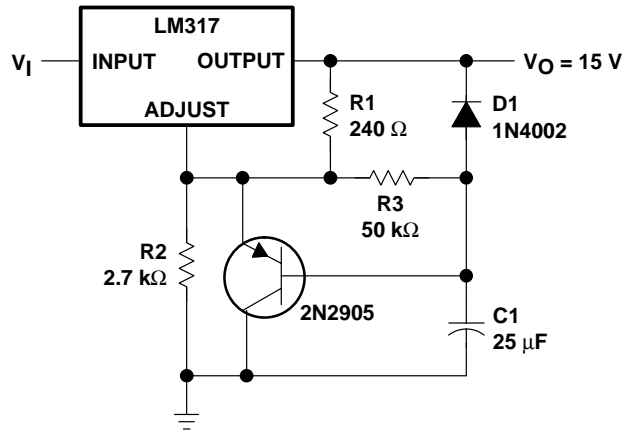


Figure 10. Slow Turn-On 15-V Regulator Circuit

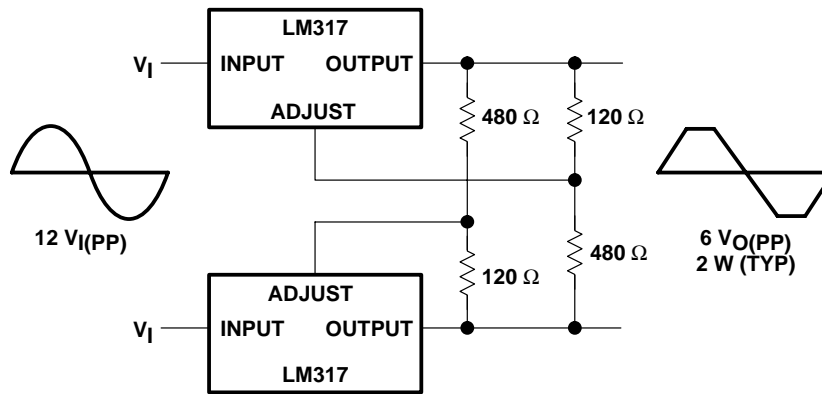
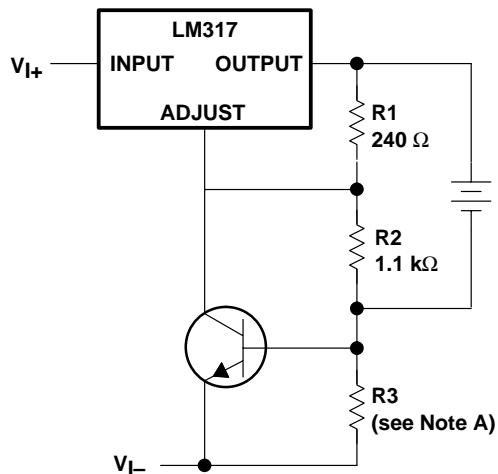


Figure 11. AC Voltage-Regulator Circuit

LM317 3-TERMINAL ADJUSTABLE REGULATOR

SLVS044H – SEPTEMBER 1997 – REVISED DECEMBER 2001

APPLICATION INFORMATION



NOTE A: R3 sets the peak current (0.6 A for a 1-Ω resistor).

Figure 12. Current-Limited 6-V Charger Circuit

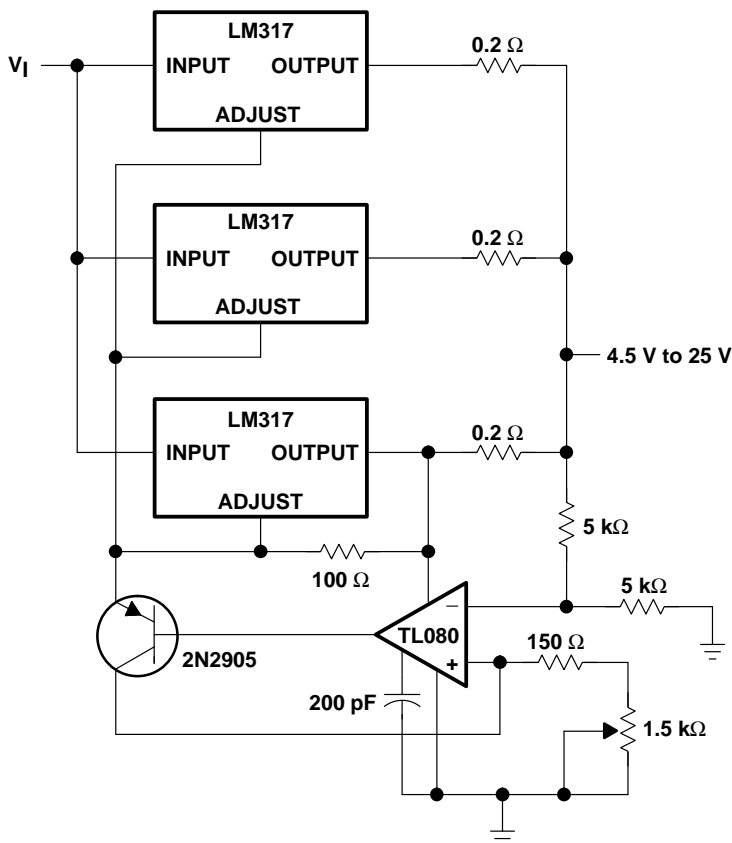
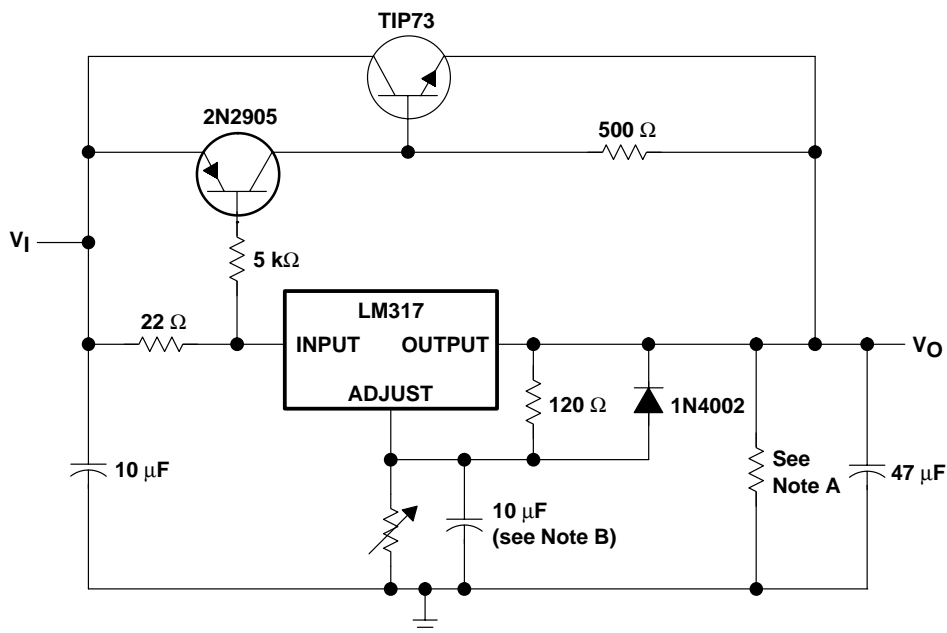


Figure 13. Adjustable 4-A Regulator Circuit

APPLICATION INFORMATION



- NOTES: A. The minimum load current is 30 mA.
B. This optional capacitor improves ripple rejection.

Figure 14. High-Current Adjustable Regulator Circuit

IMPORTANT NOTICE

Texas Instruments Incorporated and its subsidiaries (TI) reserve the right to make corrections, modifications, enhancements, improvements, and other changes to its products and services at any time and to discontinue any product or service without notice. Customers should obtain the latest relevant information before placing orders and should verify that such information is current and complete. All products are sold subject to TI's terms and conditions of sale supplied at the time of order acknowledgment.

TI warrants performance of its hardware products to the specifications applicable at the time of sale in accordance with TI's standard warranty. Testing and other quality control techniques are used to the extent TI deems necessary to support this warranty. Except where mandated by government requirements, testing of all parameters of each product is not necessarily performed.

TI assumes no liability for applications assistance or customer product design. Customers are responsible for their products and applications using TI components. To minimize the risks associated with customer products and applications, customers should provide adequate design and operating safeguards.

TI does not warrant or represent that any license, either express or implied, is granted under any TI patent right, copyright, mask work right, or other TI intellectual property right relating to any combination, machine, or process in which TI products or services are used. Information published by TI regarding third-party products or services does not constitute a license from TI to use such products or services or a warranty or endorsement thereof. Use of such information may require a license from a third party under the patents or other intellectual property of the third party, or a license from TI under the patents or other intellectual property of TI.

Reproduction of information in TI data books or data sheets is permissible only if reproduction is without alteration and is accompanied by all associated warranties, conditions, limitations, and notices. Reproduction of this information with alteration is an unfair and deceptive business practice. TI is not responsible or liable for such altered documentation.

Resale of TI products or services with statements different from or beyond the parameters stated by TI for that product or service voids all express and any implied warranties for the associated TI product or service and is an unfair and deceptive business practice. TI is not responsible or liable for any such statements.

Mailing Address:

Texas Instruments
Post Office Box 655303
Dallas, Texas 75265