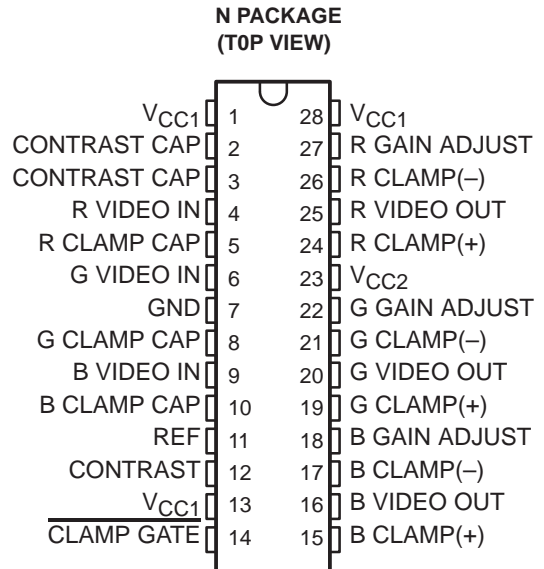


LM1203, LM1203A RGB VIDEO AMPLIFIER SYSTEMS

SLFS048 – MARCH 1990 – REVISED OCTOBER 1991

- BW (–3 dB) . . . 70 MHz
- Matched ± 0.5 -dB Attenuators for Contrast Control
- Three Externally-Gated Comparators for Brightness Control
- Independent Gain Control of Each Video Amplifier . . . $A_V = 4$ to 10
- Video Input Voltage Reference
- Low-Impedance Output Driver
- ESD Protection Exceeds 2000 V Per MIL Standard 833C, Method 3015
- Designed to Be an Improved Replacement for National Semiconductor LM1203



description

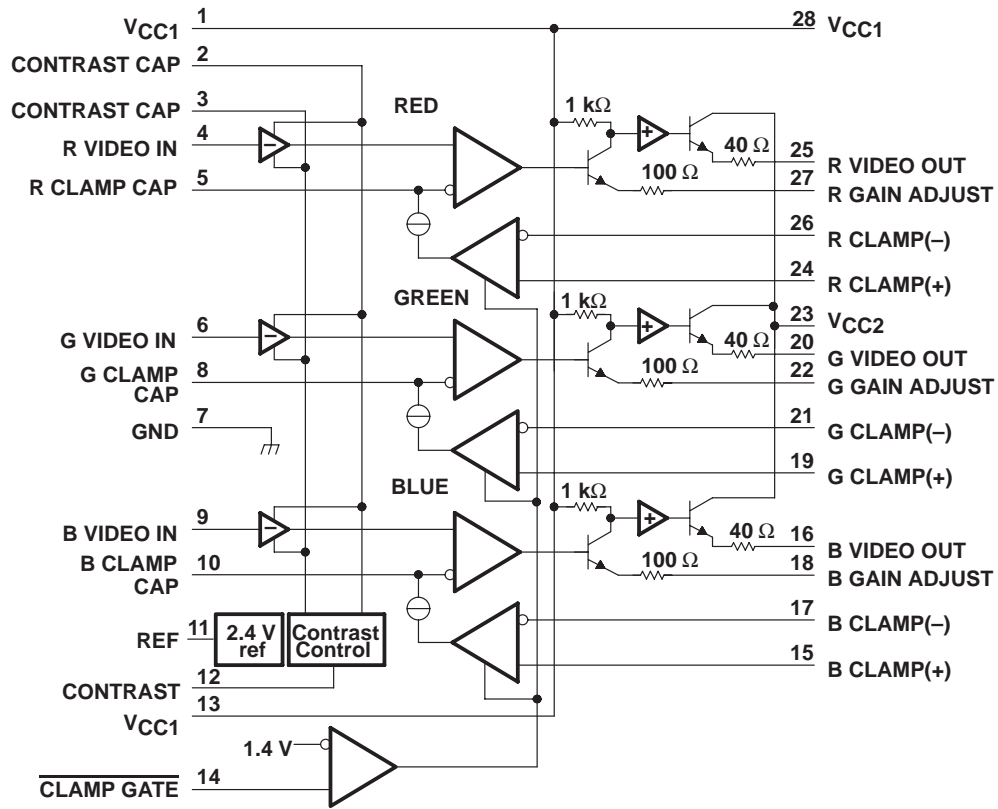
The LM1203 and LM1203A are wide-band video amplifier systems intended for high-resolution RGB color monitor applications. In addition to three matched video amplifiers, the LM1203 and LM1203A contain three gated differential input black-level clamp comparators for brightness control and three matched attenuator circuits for contrast control. Each video amplifier contains a gain set for adjusting maximum system gain ($A_V = 4$ to 10) as well as providing trim capability. The LM1203 and LM1203A also contain a voltage reference for the video inputs.

The LM1203 and LM1203A are characterized for operation from 0°C to 70°C.

LM1203, LM1203A RGB VIDEO AMPLIFIER SYSTEMS

SLFS048 – MARCH 1990 – REVISED OCTOBER 1991

functional block diagram



absolute maximum ratings over operating free-air temperature (unless otherwise noted)

Supply voltage, V_{CC} (see Note 1)	13.5 V
Input voltage range, V_I	$V_{CC} \geq V_I \geq \text{GND}$
Video output current	28 mA
Total power dissipation at (or below) 25°C free-air temperature (see Note 2)	2.5 W
Operating junction temperature	150°C
Operating free-air temperature range	0°C to 70°C
Storage temperature range	-65°C to 150°C
Lead temperature 1,6 mm (1/16 inch) from case for 10 seconds	260°C

- NOTES: 1. All V_{CC} pins must be externally wired together to prevent internal damage during V_{CC} power-on/off cycles.
 2. For operating above 25°C free-air temperature, derate linearly at the rate of 20 mW/°C.

**electrical characteristics at 25°C free-air temperature, $V_{12} = 6\text{ V}$, $V_{14} = 0$, $V_{15} = 2\text{ V}$,
= $V_{CC2} = 12\text{ V}$ (see Figure 1) (unless otherwise noted)**

V_{CC1}

PARAMETER		TEST CONDITIONS	MIN	TYP	MAX	UNIT
I_{CC}	Supply current	V_{CC1} only		60	90	mA
V_{ref}	Video input reference voltage		2.2	2.4	2.6	V
I_{IB}	Video input bias current	Any amplifier		5	20	μA
$V_{IL(14)}$	Clamp gate low-level input voltage	Clamp comparators on	0.8	1.2		V
$V_{IH(14)}$	Clamp gate high-level input voltage	Clamp comparators off		1.6	2	V
$I_{IL(14)}$	Clamp gate low input current	$V_{14} = 0$		-0.5	-5	μA
$I_{IH(14)}$	Clamp gate high input current	$V_{14} = V_{CC}$		0.005	1	μA
$I_{K(chg)}$	Clamp capacitor charge current	$V_{5,8}$ or $10 = 0$		850		μA
$I_{K(dschg)}$	Clamp capacitor discharge current	$V_{5,8}$ or $10 = 5\text{ V}$		-850		μA
V_{OL}	Low-level output voltage	$V_{5,8}$ or $10 = 0$		1.2		V
V_{OH}	High-level output voltage	$V_{5,8}$ or $10 = 5\text{ V}$		8.9		V
V_{Odiff}	Output voltage difference between any two channels	$V_{15} = 2\text{ V}$		± 0.5	± 50	mV
		$V_{15} = 4\text{ V}$				

operating characteristics at 25°C free-air temperature, $V_{14} = 0\text{ V}$, $V_{15} = 4\text{ V}$, $f_{in} = 10\text{ kHz}$ (unless otherwise noted)

PARAMETER		TEST CONDITIONS		MIN	TYP	MAX	UNIT
A_{Vmax}	Maximum voltage amplification	$V_{12} = 12\text{ V}$,	$V_{I(pp)} = 560\text{ mV}$	LM1203	8.8		V/V
				LM1203A	7.8		
A_{Vmid}	Mid-range voltage amplification	$V_{12} = 5\text{ V}$,	$V_{I(pp)} = 560\text{ mV}$	LM1203	3.5		V/V
				LM1203A	2.5		
V_{12low}	Contrast voltage for minimum amplification	$V_{I(pp)} = 1\text{ V}$,	See Note 3		2		V
$A_{Vmax(diff)}$	Amplification match at A_V max	$V_{12} = 12\text{ V}$,	See Note 4		± 0.2		dB
$A_{Vmid(diff)}$	Amplification match at A_V mid	$V_{12} = 5\text{ V}$,	See Note 3		± 0.2		dB
$A_{Vlow(diff)}$	Amplification match at A_V low	$V_{12} = V_{12low}$,	See Notes 3 and 4		± 0.2		dB
THD	Total harmonic distortion	$V_{12} = 3\text{ V}$,	$V_{I(pp)} = 1\text{ V}$		0.5		%
BW(-3 dB)	Amplifier bandwidth	$V_{12} = 12\text{ V}$,	See Notes 5 and 7		70		MHz
a_x	Crosstalk attenuation	$V_{12} = 12\text{ V}$,	$f = 10\text{ kHz}$,	See Note 6	60		dB
		$V_{12} = 12\text{ V}$,	$f = 10\text{ MHz}$,	See Notes 6 and 7	40		

- NOTES: 3. Determine V_{12low} for -40-dB attenuation of output. Reference to A_V maximum.
 4. Measure gain difference between any two amplifiers, $V_{I(pp)} = 1\text{ V}$.
 5. Adjust input frequency from 10 kHz (A_V maximum ref level) to the -3-dB corner frequency ($f - 3\text{ dB}$). $V_{I(pp)} = 560\text{ mV}$.
 6. $V_{I(pp)} = 560\text{ mV}$ at $f = 10\text{ kHz}$ to any amplifier. Measure output levels of the other two undriven amplifiers relative to driven amplifier to determine channel separation. Terminate the undriven amplifier inputs to simulate generator loading. Repeat test at $f = 10\text{ MHz}$ for $a_x = 10\text{ MHz}$.
 7. A special test fixture without a socket is required.

LM1203, LM1203A RGB VIDEO AMPLIFIER SYSTEMS

SLFS048 – MARCH 1990 – REVISED OCTOBER 1991

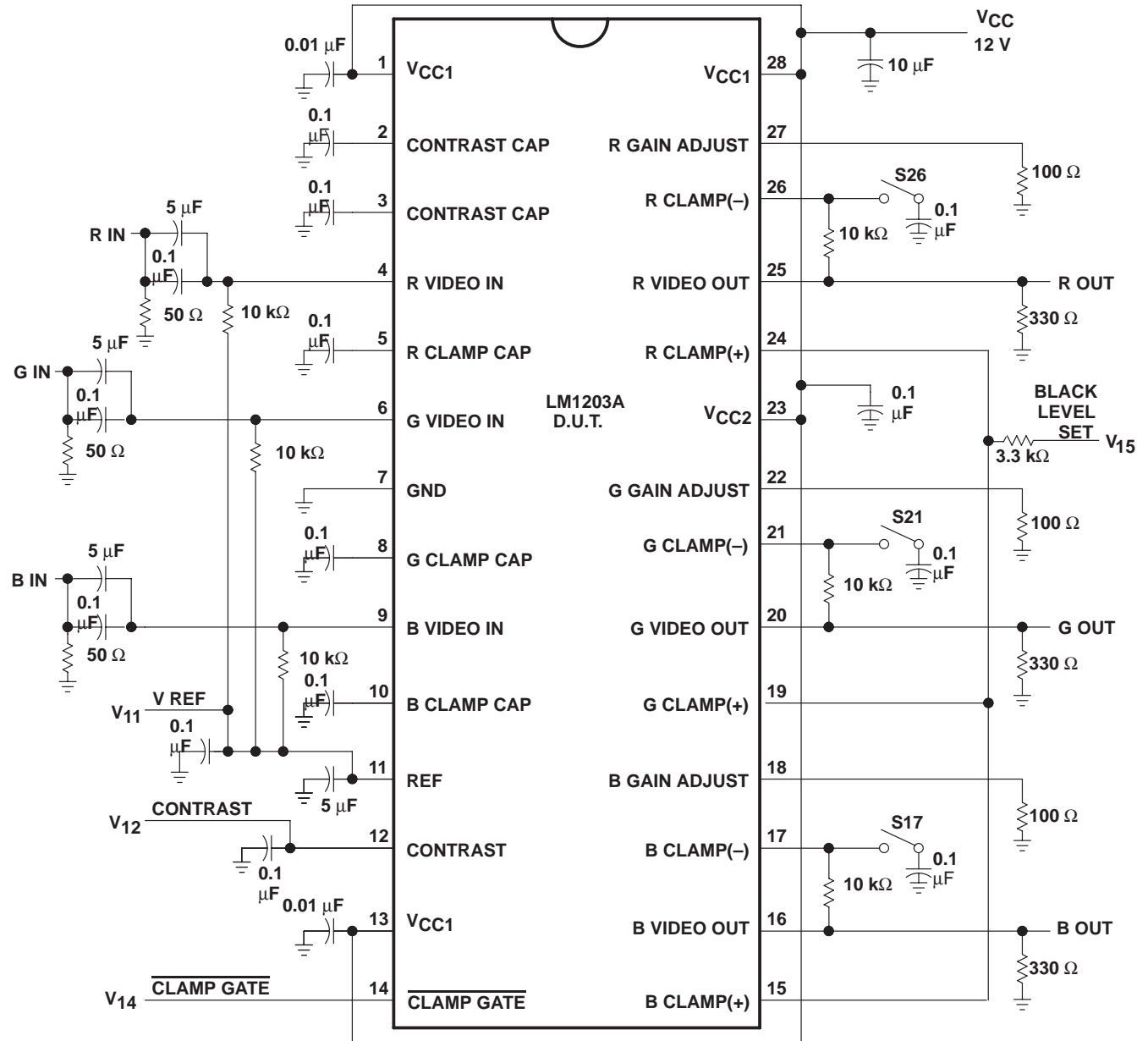


Figure 1. Test Circuit

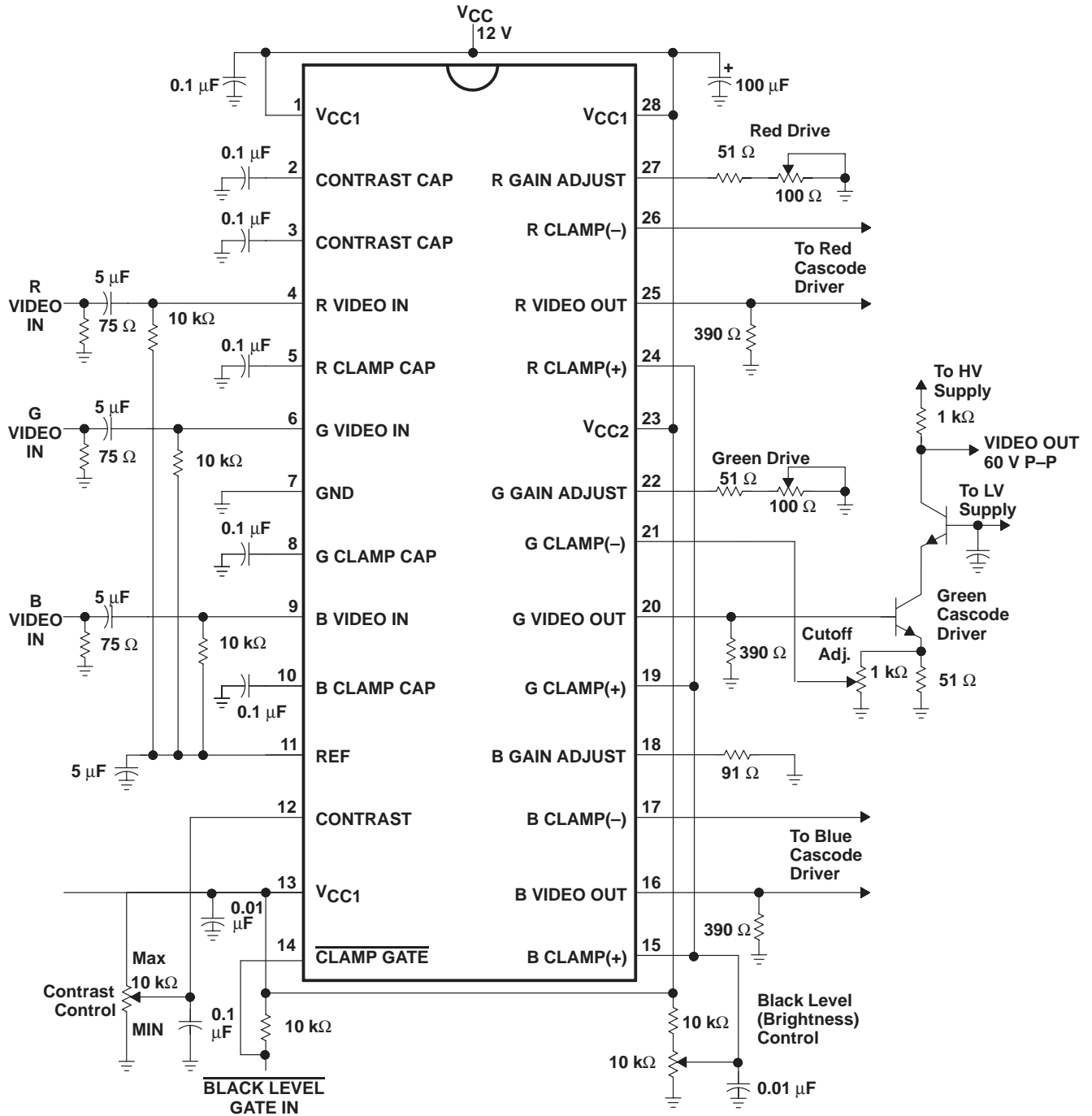


Figure 2. Typical Application

LM1203, LM1203A RGB VIDEO AMPLIFIER SYSTEMS

SLFS048 – MARCH 1990 – REVISED OCTOBER 1991

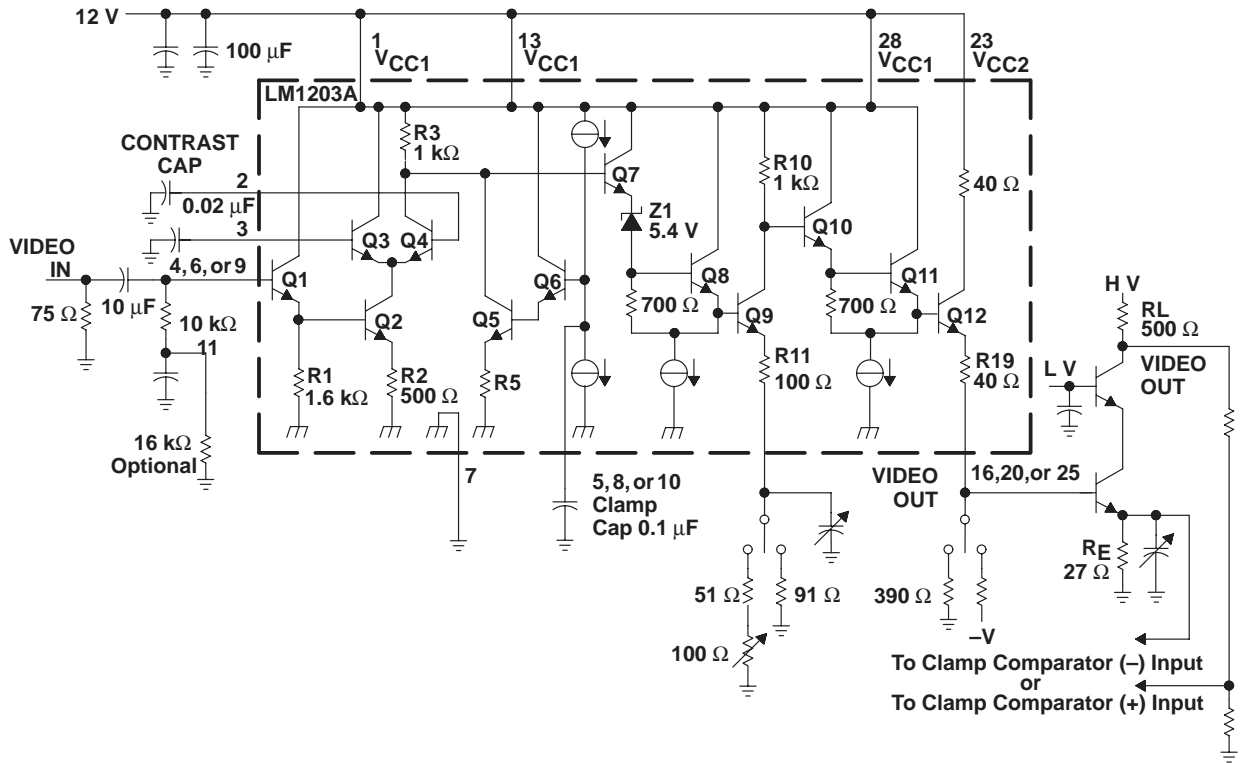


Figure 3. Simplified Video Amplifier Section With Recommended External Components

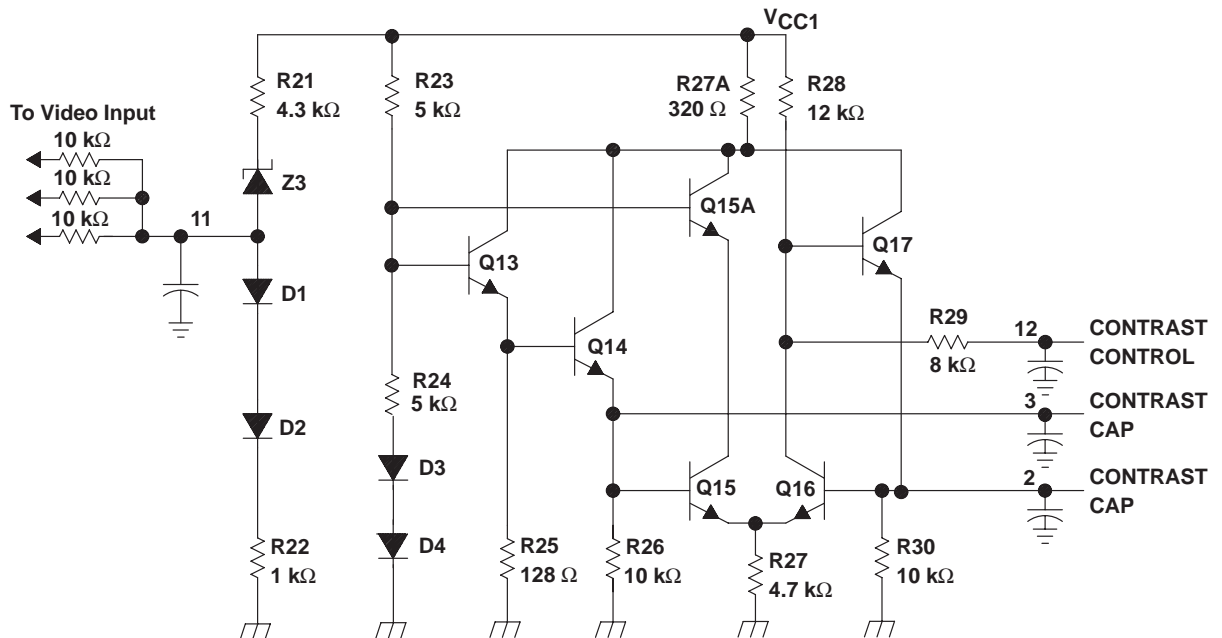


Figure 4. Input Voltage Reference and Contrast Control Circuits

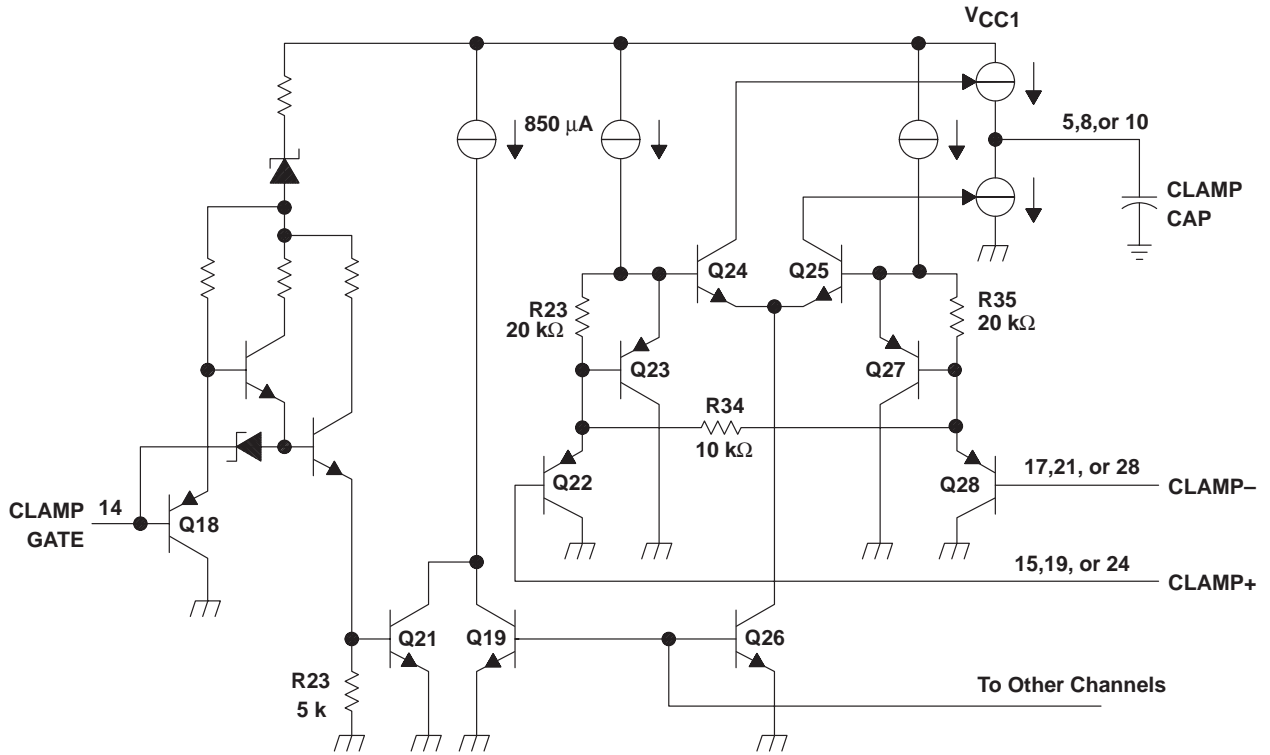


Figure 5. Simplified Schematic of LM1203A Clamp Gate
(Common to Each Channel) and Clamp Comparator Circuits

IMPORTANT NOTICE

Texas Instruments and its subsidiaries (TI) reserve the right to make changes to their products or to discontinue any product or service without notice, and advise customers to obtain the latest version of relevant information to verify, before placing orders, that information being relied on is current and complete. All products are sold subject to the terms and conditions of sale supplied at the time of order acknowledgement, including those pertaining to warranty, patent infringement, and limitation of liability.

TI warrants performance of its semiconductor products to the specifications applicable at the time of sale in accordance with TI's standard warranty. Testing and other quality control techniques are utilized to the extent TI deems necessary to support this warranty. Specific testing of all parameters of each device is not necessarily performed, except those mandated by government requirements.

CERTAIN APPLICATIONS USING SEMICONDUCTOR PRODUCTS MAY INVOLVE POTENTIAL RISKS OF DEATH, PERSONAL INJURY, OR SEVERE PROPERTY OR ENVIRONMENTAL DAMAGE ("CRITICAL APPLICATIONS"). TI SEMICONDUCTOR PRODUCTS ARE NOT DESIGNED, AUTHORIZED, OR WARRANTED TO BE SUITABLE FOR USE IN LIFE-SUPPORT DEVICES OR SYSTEMS OR OTHER CRITICAL APPLICATIONS. INCLUSION OF TI PRODUCTS IN SUCH APPLICATIONS IS UNDERSTOOD TO BE FULLY AT THE CUSTOMER'S RISK.

In order to minimize risks associated with the customer's applications, adequate design and operating safeguards must be provided by the customer to minimize inherent or procedural hazards.

TI assumes no liability for applications assistance or customer product design. TI does not warrant or represent that any license, either express or implied, is granted under any patent right, copyright, mask work right, or other intellectual property right of TI covering or relating to any combination, machine, or process in which such semiconductor products or services might be or are used. TI's publication of information regarding any third party's products or services does not constitute TI's approval, warranty or endorsement thereof.