

SINGLE-CELL LI-ION AND LI-POL BATTERY GAS GAUGE IC FOR PORTABLE APPLICATIONS (bqJUNIOR™)

FEATURES

- Reports Accurate *Time-to-Empty* in Li-Ion and Li-Pol Cells, No System Processor Calculations Needed
- Reports Cell Temperature, Voltage and Average Current
- High-Accuracy Coulometric Charge and Discharge Current Integration with Automatic Offset Cancellation
- Requires No Offset Calibration
- Programmable Input/Output Port
- Internal Time-Base Eliminates External Crystal Oscillator
- Four Automatic Low-Power Operating Modes
 - Active: < 100 μ A
 - Sleep: < 5 μ A
 - Ship: < 2 μ A
 - Hibernate: < 500 nA
- Small 8-Pin TSSOP Package

APPLICATIONS

- PDAs
- Smart Phones
- MP3 Players
- Digital Cameras
- Internet Appliances
- Handheld Devices

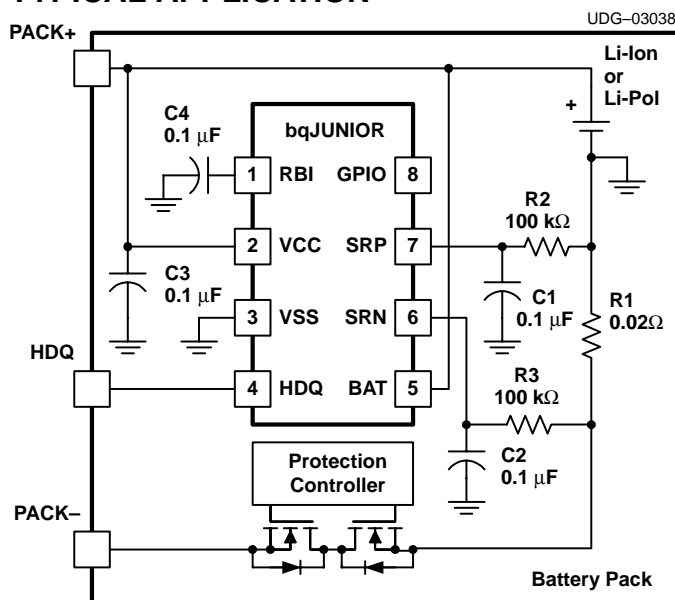
DESCRIPTION

The bqJUNIOR series are highly accurate standalone single-cell Li-Ion and Li-Pol battery capacity monitoring and reporting devices targeted at space limited portable applications. The device monitors a voltage drop across a small current sense resistor connected in series with the battery to determine charge and discharge activity of the battery. Compensations for battery temperature, self-discharge, and rate of discharge are applied to the charge counter to provide available *time-to-empty* and *time-to-full* information across a wide range of operating conditions. Battery capacity is automatically recalibrated, or *learned*, in the course of a discharge cycle from full to empty. Internal registers include available time-to-empty, cell temperature and voltage, average current, and other status and control registers.

The bqJUNIOR can operate directly from single-cell Li-Ion and Li-Pol batteries and communicates to the system over a simple one-wire bi-directional serial interface. The 5-kbits/s HDQ bus interfaces reduces communications overhead in the external microcontroller.

PRODUCT PREVIEW

TYPICAL APPLICATION



Please be aware that an important notice concerning availability, standard warranty, and use in critical applications of Texas Instruments semiconductor products and disclaimers thereto appears at the end of this data sheet.

ABSOLUTE MAXIMUM RATINGS

over operating free-air temperature range unless otherwise noted⁽¹⁾ (2)

		bq27000 bq27010
Supply voltage range, V_{CC} (all with respect to V_{SS})		-0.3 V to 7.0 V
Input voltage range at SRP, SRN, RBI, and BAT (all with respect to V_{SS})		-0.3 V to $V_{CC} + 0.3$ V
Input voltage	HDQ, GPIO (with respect to V_{SS})	-0.3 V to 7.0 V
	GPIO (with respect to V_{SS}) during EEPROM programming only	-0.3 V to 22.0 V
Output sink current at GPIO, HDQ		5 mA
Operating free-air temperature range, T_A		-20°C to 70°C
Storage temperature range, T_{stg}		-65°C to 150°C
Junction temperature range, T_J		-40°C to 125°C
Lead temperature 1.6 mm (1/16 inch) from case for 10 seconds		300°C

(1) Stresses beyond those listed under "absolute maximum ratings" may cause permanent damage to the device. These are stress ratings only, and functional operation of the device at these or any other conditions beyond those indicated under "recommended operating conditions" is not implied. Exposure to Absolute Maximum Rated conditions for extended periods may affect device reliability

RECOMMENDED OPERATING CONDITIONS

	MIN	NOM	MAX	UNIT
Supply voltage, V_{CC}	2.6		4.5	V
Operating free-air temperature, T_J	-20		70	°C

ELECTRICAL CHARACTERISTICS

$T_J = -20^\circ\text{C}$ to 70°C , $T_J = T_A$, $2.6\text{ V} \leq V_{CC} \leq 4.5\text{ V}$ (unless otherwise noted)

PARAMETER	TEST CONDITIONS	MIN	TYP	MAX	UNIT
INPUT CURRENTS					
$I_{CC}(V_{CC})$ Input current, V_{CC}	$V_{CC} > V_{CC}(\text{min})$			100	μA
$I_{CC}(\text{SLP})$ Sleep current				5	
$I_{CC}(\text{SHP})$ Ship current				2	
$I_{CC}(\text{POR})$ Hibernate current	$0\text{ V} < V_{CC} < V(\text{POR})$			500	nA
EEPROM programming current	$V_{\text{PROGRAM}} = 21\text{ V}$			15	mA
RBI current	RBI pin only, $V_{CC} < V(\text{POR})$			20	nA
$V(\text{POR})$ POR threshold		2.0		2.5	V
RBI data retention voltage		1.2			
Input impedance on BAT pin		10			$\text{M}\Omega$
Input impedance on SRR, SRN pins		10			
VOLTAGE MEASUREMENT					
Measurement range	$V_{CC} = V_I(\text{BAT})$	2.6		4.5	V
Reported voltage resolution			2.7		mV
Reported accuracy		-25		25	
Voltage update time			2		s
VOLTAGE MEASUREMENT					
Reported temperature resolution			0.25		°K
Reported temperature accuracy		-3		3	
Temperature update time			2		s

PRODUCT PREVIEW

ELECTRICAL CHARACTERISTICS (continued)

$T_J = -20^{\circ}\text{C}$ to 70°C , $T_J = T_A$, $2.6\text{ V} \leq V_{CC} \leq 4.5\text{ V}$ (unless otherwise noted)

PARAMETER		TEST CONDITIONS	MIN	TYP	MAX	UNIT
EEPROM PROGRAMMING VOLTAGE						
t_{RISE}	Programming voltage rise time		0.5	1.5		ms
	Programming voltage high time		10	100		
t_{FALL}	Programming voltage fall time		0.5	1.5		ms
	Programming voltage	Applied to GPIO pin	20	22		
IO PORT (GPIO) AND SERIAL INTERFACE (HDQ)						
V_{IH}	High-level input voltage	$V_{CC} < 4.2\text{ V}$	1.7			V
		$V_{CC} > 4.2\text{ V}$	1.9			
V_{IL}	Low-level input voltage			0.7		V
I_{OL}	Low-level output current	$V_{OL} > 0.4\text{ V}$		1		
STANDARD SERIAL COMMUNICATION (HDQ) TIMING⁽¹⁾						
$T(B)$	Break timing		190			μs
$T(BR)$	Break recovery time		40			
$T(CYCH)$	Host bit window timing		190			
$T(HW1)$	Host sends 1 time		5	50		
$T(HW0)$	Host sends 0 time		100	145		
$T(RSPS)$	bq27000 to host response time		190	320		
$T(CYCB)$	bq27000 bit window timing		190	250		
$T(DW1)$	bq27000 sends 1 time		32	50		
$T(DW0)$	bq27000 sends 0 time		80	145		

(1) See Figure 1.

The following timing diagrams describe break and break recovery timing (a), host transmitted bit timing (b), bqJUNIOR transmitted bit timing (c), and bqJUNIOR to host response timing (d).

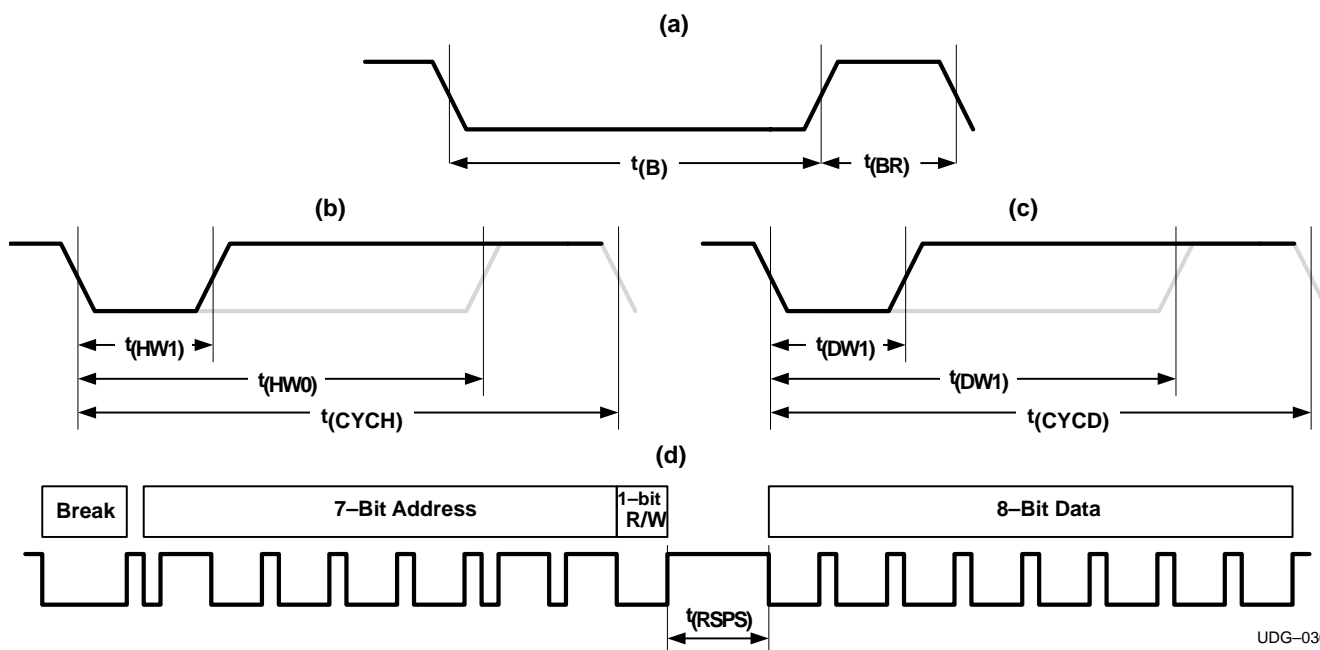


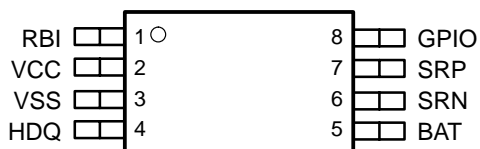
Figure 1. HDQ Bit Timing Diagrams

PRODUCT PREVIEW

PIN ASSIGNMENTS

TERMINAL NAME	NO.	I/O	DESCRIPTION
BAT	5	I	Battery voltage sense input
GPIO	8	I/O	General-purpose input/output port
HDQ	4	I/O	Single-wire HDQ serial interface
RBI	1	I	Register back-up input
SRN	6	I	Current sense input (positive)
SRP	7	I	Current sense input (negative)
VCC	2	I	VCC supply input
VSS	3	I	Ground input

**PW PACKAGE
(TOP VIEW)**

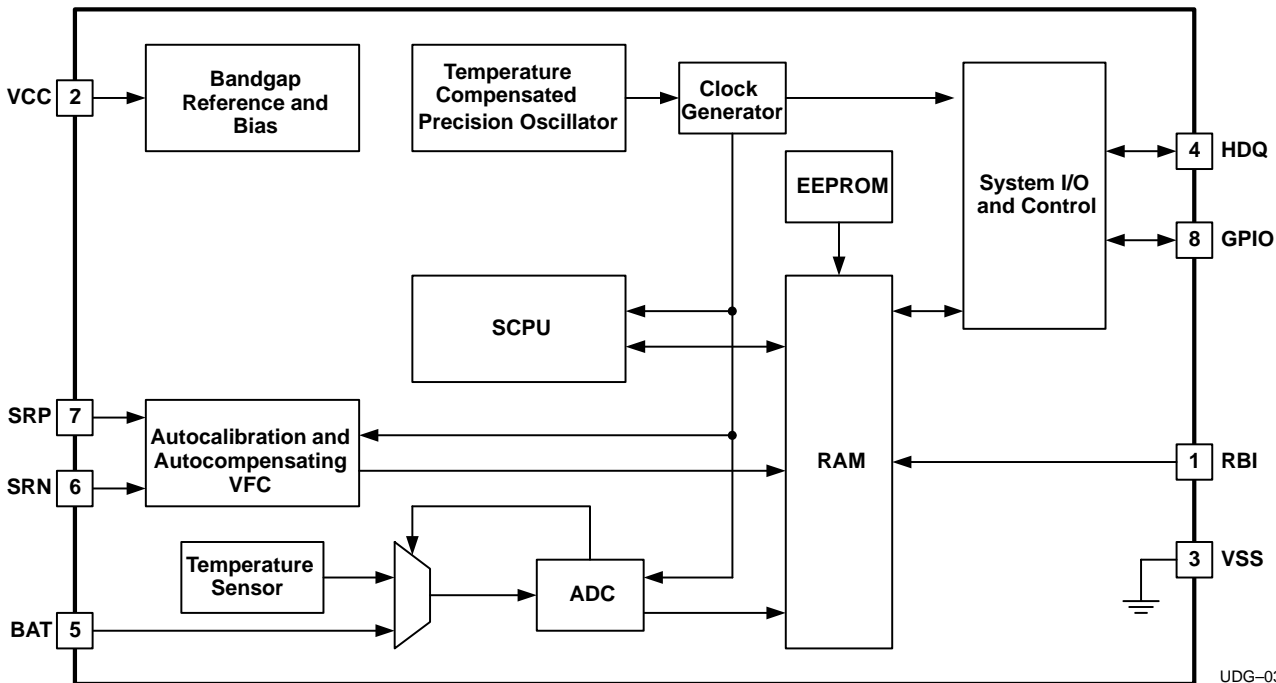


AVAILABLE OPTIONS

TA	ADDITIONAL FUNCTIONS	PACKAGED DEVICES	MARKINGS
-20°C to 70°C	TTECP, AP, SAE, MLTTE, MLI, STTE, SI, ARTTE, and AR	bq27000PW	
		bq27010PW	

† The PW package is available taped and reeled. Add R suffix to device type (e.g. bq27000PWR) to order quantities of 2,000 devices per reel.

PRODUCT PREVIEW



UDG-03040

Figure 2. Functional Block Diagram

PRODUCT PREVIEW

PW (R-PDSO-G**)

PLASTIC SMALL-OUTLINE PACKAGE

14 PINS SHOWN



4040064/F 01/97

- NOTES: A. All linear dimensions are in millimeters.
 B. This drawing is subject to change without notice.
 C. Body dimensions do not include mold flash or protrusion not to exceed 0,15.
 D. Falls within JEDEC MO-153

IMPORTANT NOTICE

Texas Instruments Incorporated and its subsidiaries (TI) reserve the right to make corrections, modifications, enhancements, improvements, and other changes to its products and services at any time and to discontinue any product or service without notice. Customers should obtain the latest relevant information before placing orders and should verify that such information is current and complete. All products are sold subject to TI's terms and conditions of sale supplied at the time of order acknowledgment.

TI warrants performance of its hardware products to the specifications applicable at the time of sale in accordance with TI's standard warranty. Testing and other quality control techniques are used to the extent TI deems necessary to support this warranty. Except where mandated by government requirements, testing of all parameters of each product is not necessarily performed.

TI assumes no liability for applications assistance or customer product design. Customers are responsible for their products and applications using TI components. To minimize the risks associated with customer products and applications, customers should provide adequate design and operating safeguards.

TI does not warrant or represent that any license, either express or implied, is granted under any TI patent right, copyright, mask work right, or other TI intellectual property right relating to any combination, machine, or process in which TI products or services are used. Information published by TI regarding third-party products or services does not constitute a license from TI to use such products or services or a warranty or endorsement thereof. Use of such information may require a license from a third party under the patents or other intellectual property of the third party, or a license from TI under the patents or other intellectual property of TI.

Reproduction of information in TI data books or data sheets is permissible only if reproduction is without alteration and is accompanied by all associated warranties, conditions, limitations, and notices. Reproduction of this information with alteration is an unfair and deceptive business practice. TI is not responsible or liable for such altered documentation.

Resale of TI products or services with statements different from or beyond the parameters stated by TI for that product or service voids all express and any implied warranties for the associated TI product or service and is an unfair and deceptive business practice. TI is not responsible or liable for any such statements.

Mailing Address:

Texas Instruments
Post Office Box 655303
Dallas, Texas 75265