

## FEATURES

- Member of the Texas Instruments Widebus™ Family
- EPIC™ (Enhanced-Performance Implanted CMOS) Submicron Process
- DOC™ (Dynamic Output Control) Circuit Dynamically Changes Output Impedance, Resulting in Noise Reduction Without Speed Degradation
- Dynamic Drive Capability Is Equivalent to Standard Outputs With  $I_{OH}$  and  $I_{OL}$  of  $\pm 24$  mA at 2.5-V  $V_{CC}$
- Overvoltage-Tolerant Inputs/Outputs Allow Mixed-Voltage-Mode Data Communications
- $I_{off}$  Supports Partial-Power-Down Mode Operation
- Latch-Up Performance Exceeds 100 mA Per JESD 78, Class II
- Package Options Include Plastic Thin Shrink Small-Outline (DGG) and Thin Very Small-Outline (DGV) Packages

## DESCRIPTION

A Dynamic Output Control (DOC™) circuit is implemented, which, during the transition, initially lowers the output impedance to effectively drive the load and, subsequently, raises the impedance to reduce noise. Figure 1 shows typical  $V_{OL}$  vs  $I_{OL}$  and  $V_{OH}$  vs  $I_{OH}$  curves to illustrate the output impedance and drive capability of the circuit. At the beginning of the signal transition, the DOC circuit provides a maximum dynamic drive that is equivalent to a high-drive standard-output device. For more information, refer to the TI application reports, *AVC Logic Family Technology and Applications*, literature number SCEA006, and *Dynamic Output Control (DOC™) Circuitry Technology and Applications*, literature number SCEA009.

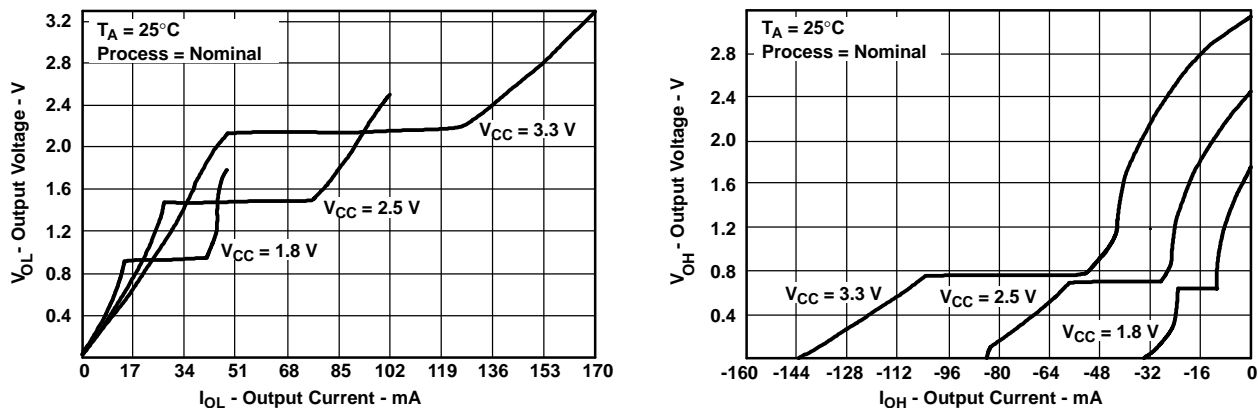


Figure 1. Output Voltage vs Output Current

This 16-bit bus transceiver and register is operational at 1.2-V to 3.6-V  $V_{CC}$ , but is designed specifically for 1.65-V to 3.6-V  $V_{CC}$  operation.

The SN74AVC16646 can be used as two 8-bit transceivers or one 16-bit transceiver. Data on the A or B bus is clocked into the registers on the low-to-high transition of the appropriate clock (CLKAB or CLKBA) input. Figure 2 illustrates the four fundamental bus-management functions that can be performed with the SN74AVC16646.

Output-enable ( $\overline{OE}$ ) and direction-control (DIR) inputs are provided to control the transceiver functions. In the transceiver mode, data present at the high-impedance port may be stored in either register or in both. The select-control (SAB and SBA) inputs can multiplex stored and real-time (transparent mode) data.



Please be aware that an important notice concerning availability, standard warranty, and use in critical applications of Texas Instruments semiconductor products and disclaimers thereto appears at the end of this data sheet.

Widebus, EPIC, DOC are trademarks of Texas Instruments.

**SN74AVC16646**  
**16-BIT BUS TRANSCEIVER AND REGISTER**  
**WITH 3-STATE OUTPUTS**

SCES181F–DECEMBER 1998–REVISED JUNE 2005

**DESCRIPTION (CONTINUED)**

The circuitry used for select control eliminates the typical decoding glitch that occurs in a multiplexer during the transition between stored and real-time data. DIR determines which bus receives data when  $\overline{OE}$  is low. In the isolation mode ( $\overline{OE}$  high), A data may be stored in one register and/or B data may be stored in the other register.

When an output function is disabled, the input function still is enabled and may be used to store and transmit data. Only one of the two buses, A or B, can be driven at a time.

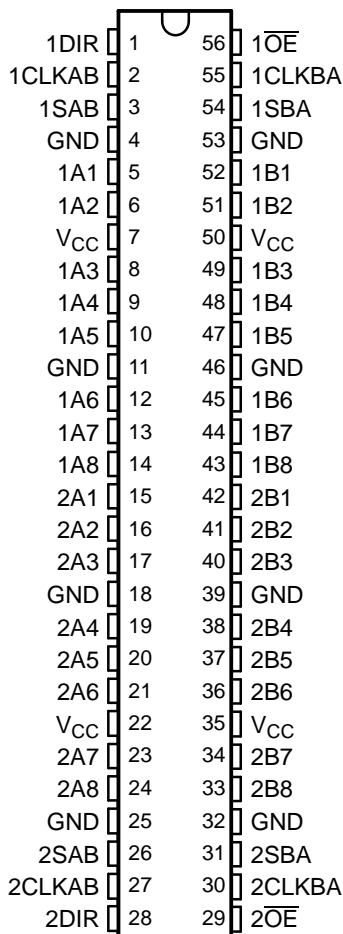
To ensure the high-impedance state during power up or power down,  $\overline{OE}$  should be tied to  $V_{CC}$  through a pullup resistor; the minimum value of the resistor is determined by the current-sinking capability of the driver.

This device is fully specified for partial-power-down applications using  $I_{off}$ . The  $I_{off}$  circuitry disables the outputs, preventing damaging current backflow through the device when it is powered down.

The SN74AVC16646 is characterized for operation from  $-40^{\circ}\text{C}$  to  $85^{\circ}\text{C}$ .

**TERMINAL ASSIGNMENTS**

**DGG OR DGV PACKAGE**  
**(TOP VIEW)**



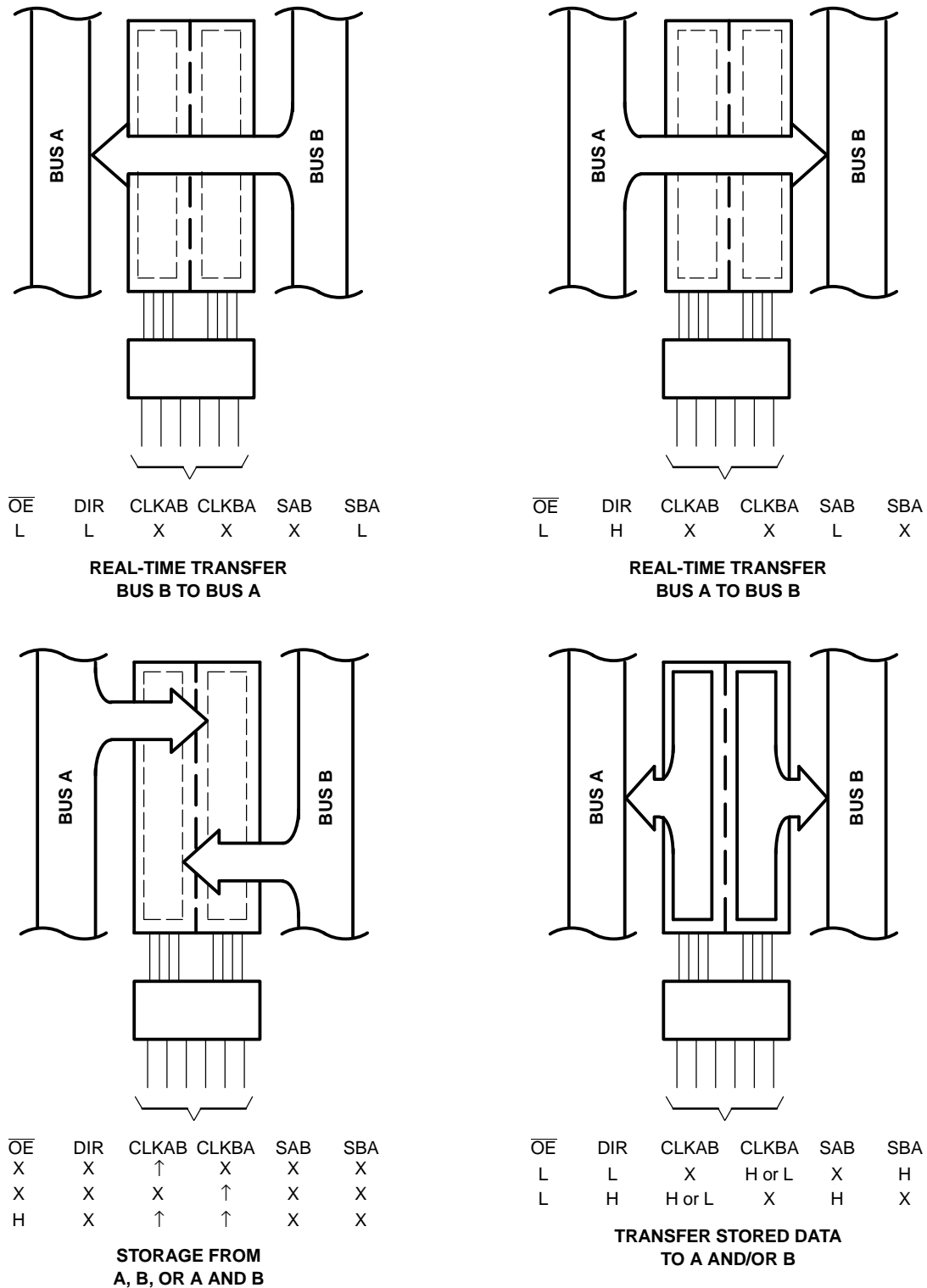
**FUNCTION TABLE**  
**(EACH 8-BIT TRANSCEIVER/REGISTER)**

INPUTS						DATA I/Os		OPERATION OR FUNCTION
$\overline{OE}$	DIR	CLKAB	CLKBA	SAB	SBA	A1-A8	B1-B8	
X	X	↑	X	X	X	Input	Unspecified <sup>(1)</sup>	Store A, B unspecified <sup>(1)</sup>
X	X	X	↑	X	X	Unspecified <sup>(1)</sup>	Input	Store B, A unspecified <sup>(1)</sup>
H	X	↑	↑	X	X	Input	Input	Store A and B data
H	X	H or L	H or L	X	X	Input disabled	Input disabled	Isolation, hold storage
L	L	X	X	X	L	Output	Input	Real-time B data to A bus
L	L	X	H or L	X	H	Output	Input	Stored B data to A bus
L	H	X	X	L	X	Input	Output	Real-time A data to B bus
L	H	H or L	X	H	X	Input	Output	Stored A data to B bus

(1) The data-output functions may be enabled or disabled by various signals at  $\overline{OE}$  and DIR. Data-input functions always are enabled; i.e., data at the bus terminals is stored on every low-to-high transition of the clock inputs.

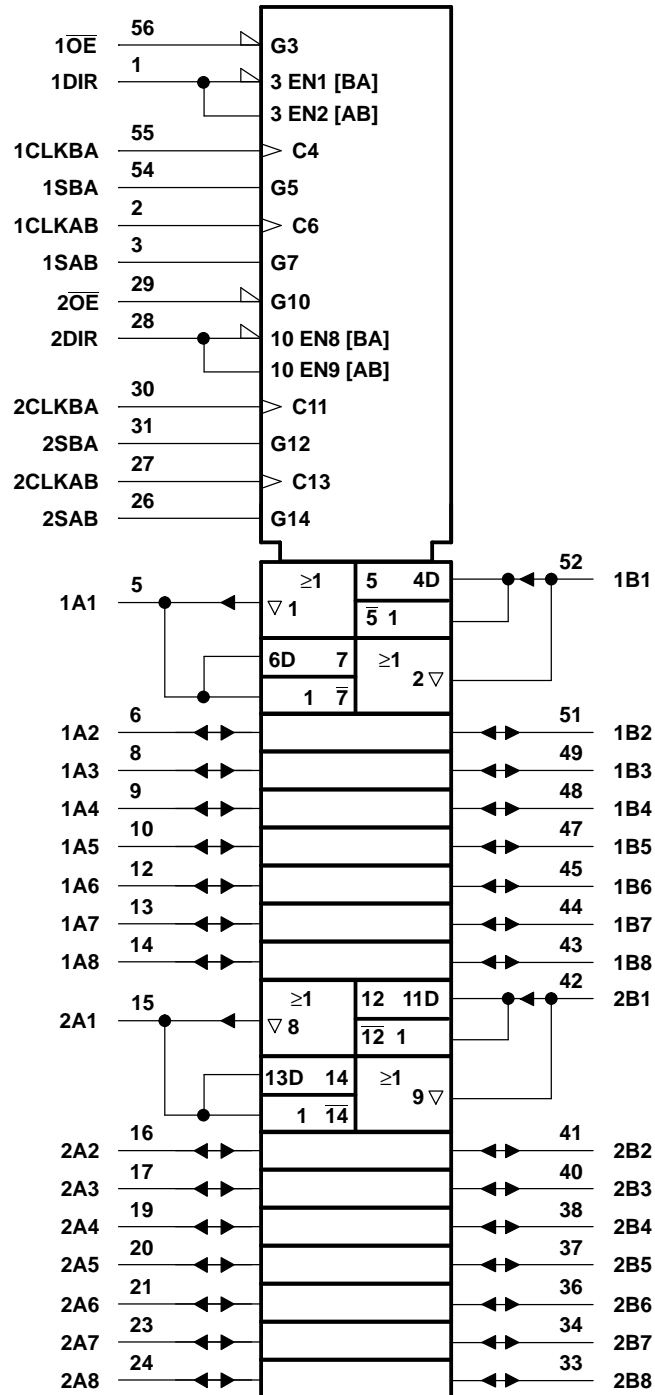
**SN74AVC16646**  
**16-BIT BUS TRANSCEIVER AND REGISTER**  
**WITH 3-STATE OUTPUTS**

SCES181F—DECEMBER 1998—REVISED JUNE 2005



**Figure 2. Bus-Management Functions**

**LOGIC SYMBOL<sup>(1)</sup>**

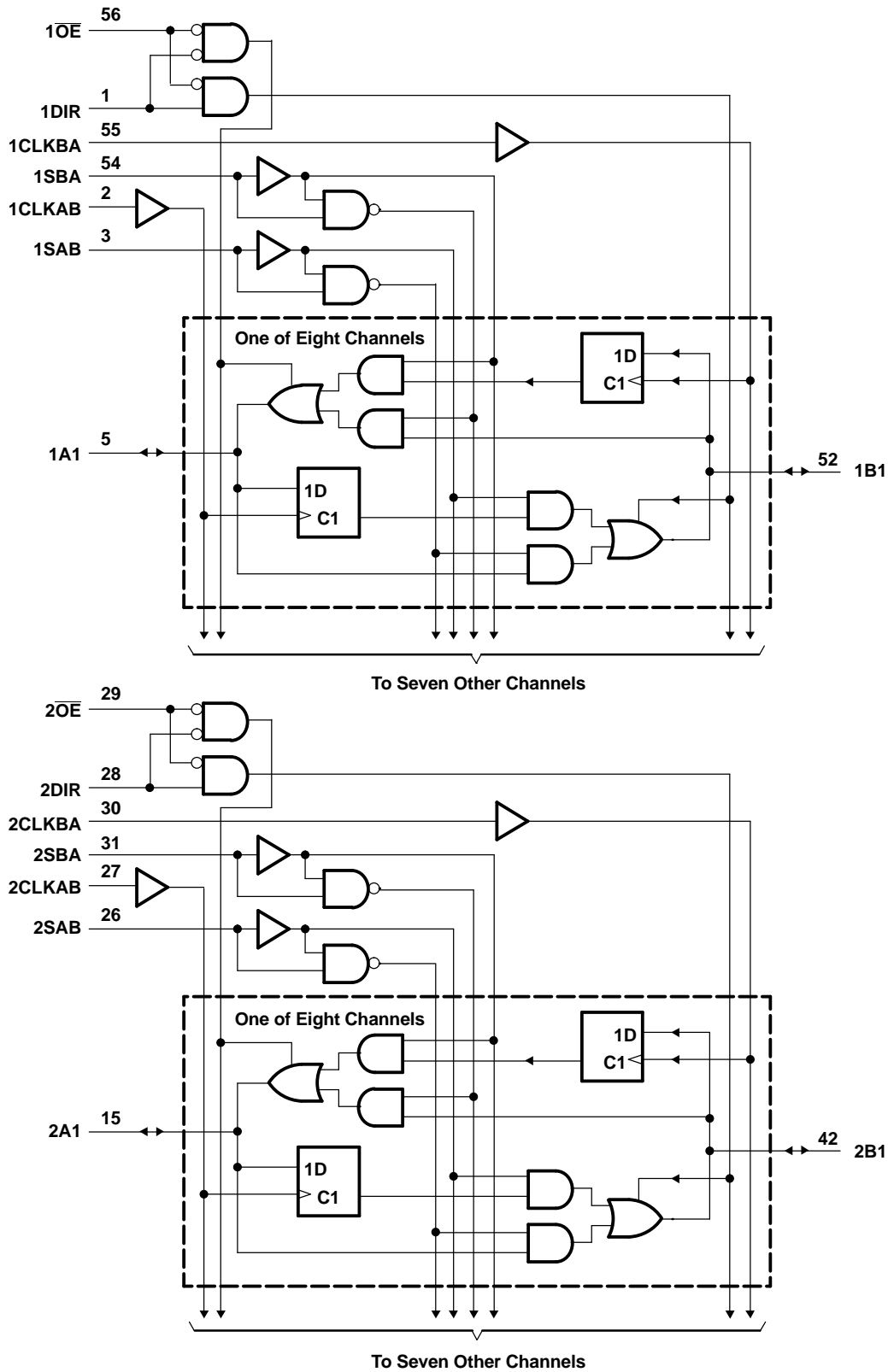


(1) This symbol is in accordance with ANSI/IEEE Std 91-1984 and IEC Publication 617-12.

**SN74AVC16646**  
**16-BIT BUS TRANSCEIVER AND REGISTER**  
**WITH 3-STATE OUTPUTS**

SCES181F—DECEMBER 1998—REVISED JUNE 2005

**LOGIC DIAGRAM (POSITIVE LOGIC)**



**Absolute Maximum Ratings<sup>(1)</sup>**

over operating free-air temperature range (unless otherwise noted)

		<b>MIN</b>	<b>MAX</b>	<b>UNIT</b>
$V_{CC}$	Supply voltage range	–0.5	4.6	V
$V_I$	Input voltage range <sup>(2)</sup>	–0.5	4.6	V
$V_O$	Voltage range applied to any input/output when the output is in the high-impedance or power-off state <sup>(2)</sup>	–0.5	4.6	V
$V_O$	Voltage range applied to any input/output when the output is in the high or low state <sup>(2)(3)</sup>	–0.5	$V_{CC} + 0.5$	V
$I_{IK}$	Input clamp current	$V_I < 0$	–50	mA
$I_{OK}$	Output clamp current	$V_O < 0$	–50	mA
$I_O$	Continuous output current		±50	mA
	Continuous current through each $V_{CC}$ or GND		±100	mA
$\theta_{JA}$	Package thermal impedance <sup>(4)</sup>	DGG package	64	°C/W
		DGV package	48	
$T_{stg}$	Storage temperature range	–65	150	°C

- (1) Stresses beyond those listed under "absolute maximum ratings" may cause permanent damage to the device. These are stress ratings only, and functional operation of the device at these or any other conditions beyond those indicated under "recommended operating conditions" is not implied. Exposure to absolute-maximum-rated conditions for extended periods may affect device reliability.
- (2) The input and output negative-voltage ratings may be exceeded if the input and output current ratings are observed.
- (3) The output positive-voltage rating may be exceeded up to 4.6 V maximum if the output current rating is observed.
- (4) The package thermal impedance is calculated in accordance with JESD 51.

**SN74AVC16646**  
**16-BIT BUS TRANSCEIVER AND REGISTER**  
**WITH 3-STATE OUTPUTS**

SCES181F–DECEMBER 1998–REVISED JUNE 2005

**Recommended Operating Conditions<sup>(1)</sup>**

			MIN	MAX	UNIT
V <sub>CC</sub>	Supply voltage	Operating	1.2	3.6	V
V <sub>IH</sub>	High-level input voltage	V <sub>CC</sub> = 1.2 V	V <sub>CC</sub>		V
		V <sub>CC</sub> = 1.4 V to 1.6 V	0.65 × V <sub>CC</sub>		
		V <sub>CC</sub> = 1.65 V to 1.95 V	0.65 × V <sub>CC</sub>		
		V <sub>CC</sub> = 2.3 V to 2.7 V	1.7		
		V <sub>CC</sub> = 3 V to 3.6 V	2		
V <sub>IL</sub>	Low-level input voltage	V <sub>CC</sub> = 1.2 V	GND		V
		V <sub>CC</sub> = 1.4 V to 1.6 V	0.35 × V <sub>CC</sub>		
		V <sub>CC</sub> = 1.65 V to 1.95 V	0.35 × V <sub>CC</sub>		
		V <sub>CC</sub> = 2.3 V to 2.7 V	0.7		
		V <sub>CC</sub> = 3 V to 3.6 V	0.8		
V <sub>I</sub>	Input voltage		0	3.6	V
V <sub>O</sub>	Output voltage	Active state	0	V <sub>CC</sub>	V
		3-state	0	3.6	
I <sub>OHS</sub>	Static high-level output current <sup>(2)</sup>	V <sub>CC</sub> = 1.4 V to 1.6 V	–2		mA
		V <sub>CC</sub> = 1.65 V to 1.95 V	–4		
		V <sub>CC</sub> = 2.3 V to 2.7 V	–8		
		V <sub>CC</sub> = 3 V to 3.6 V	–12		
I <sub>OLS</sub>	Static low-level output current <sup>(2)</sup>	V <sub>CC</sub> = 1.4 V to 1.6 V	2		mA
		V <sub>CC</sub> = 1.65 V to 1.95 V	4		
		V <sub>CC</sub> = 2.3 V to 2.7 V	8		
		V <sub>CC</sub> = 3 V to 3.6 V	12		
Δt/Δv	Input transition rise or fall rate	V <sub>CC</sub> = 1.4 V to 3.6 V	5		ns/V
T <sub>A</sub>	Operating free-air temperature		–40	85	°C

(1) All unused inputs of the device must be held at V<sub>CC</sub> or GND to ensure proper device operation. Refer to the TI application report, *Implications of Slow or Floating CMOS Inputs*, literature number SCBA004.

(2) Dynamic drive capability is equivalent to standard outputs with I<sub>OH</sub> and I<sub>OL</sub> of ±24 mA at 3.3-V V<sub>CC</sub>. See Figure 1 for V<sub>OL</sub> vs I<sub>OL</sub> and V<sub>OH</sub> vs I<sub>OH</sub> characteristics. Refer to the TI application reports, *AVC Logic Family Technology and Applications*, literature number SCEA006, and *Dynamic Output Control (DOC™) Circuitry Technology and Applications*, literature number SCEA009.



## Electrical Characteristics

over recommended operating free-air temperature range (unless otherwise noted)

PARAMETER		TEST CONDITIONS	V <sub>CC</sub>	MIN	TYP <sup>(1)</sup>	MAX	UNIT
V <sub>OH</sub>		I <sub>OHS</sub> = -100 μA	1.2 V to 3.6 V	V <sub>CC</sub> - 0.2			V
		I <sub>OHS</sub> = -2 mA, V <sub>IH</sub> = 0.91 V	1.4 V	1.05			
		I <sub>OHS</sub> = -4 mA, V <sub>IH</sub> = 1.07 V	1.65 V	1.2			
		I <sub>OHS</sub> = -8 mA, V <sub>IH</sub> = 1.7 V	2.3 V	1.75			
		I <sub>OHS</sub> = -12 mA, V <sub>IH</sub> = 2 V	3 V	2.3			
V <sub>OL</sub>		I <sub>OLS</sub> = 100 μA	1.2 V to 3.6 V			0.2	V
		I <sub>OLS</sub> = 2 mA, V <sub>IL</sub> = 0.49 V	1.4 V			0.4	
		I <sub>OLS</sub> = 4 mA, V <sub>IL</sub> = 0.57 V	1.65 V			0.45	
		I <sub>OLS</sub> = 8 mA, V <sub>IL</sub> = 0.7 V	2.3 V			0.55	
		I <sub>OLS</sub> = 12 mA, V <sub>IL</sub> = 0.8 V	3 V			0.7	
I <sub>I</sub>	Control inputs	V <sub>I</sub> = V <sub>CC</sub> or GND	3.6 V			±2.5	μA
I <sub>off</sub>		V <sub>I</sub> or V <sub>O</sub> = 3.6 V	0			±10	μA
I <sub>OZ</sub> <sup>(2)</sup>		V <sub>O</sub> = V <sub>CC</sub> or GND, V <sub>I</sub> = V <sub>CC</sub>	3.6 V			±12.5	μA
I <sub>CC</sub>		V <sub>I</sub> = V <sub>CC</sub> or GND, I <sub>O</sub> = 0	3.6 V			40	μA
C <sub>i</sub>	CLK inputs	V <sub>I</sub> = V <sub>CC</sub> or GND	2.5 V			3	pF
			3.3 V			3	
	Control inputs		2.5 V			3.5	
			3.3 V			3.5	
C <sub>io</sub>	A or B ports	V <sub>O</sub> = V <sub>CC</sub> or GND	2.5 V			8	pF
			3.3 V			8	

 (1) Typical values are measured at T<sub>A</sub> = 25°C.

 (2) For I/O ports, the parameter I<sub>OZ</sub> includes the input leakage current.

## Timing Requirements

 over recommended operating free-air temperature range (unless otherwise noted) (see [Figure 3](#) through [Figure 6](#))

			V <sub>CC</sub> = 1.2 V		V <sub>CC</sub> = 1.5 V ± 0.1 V		V <sub>CC</sub> = 1.8 V ± 0.15 V		V <sub>CC</sub> = 2.5 V ± 0.2 V		V <sub>CC</sub> = 3.3 V ± 0.3 V		UNIT
			MIN	MAX	MIN	MAX	MIN	MAX	MIN	MAX	MIN	MAX	
f <sub>clock</sub>	Clock frequency						150		250		350		MHz
t <sub>w</sub>	Pulse duration	CLKAB or CLKBA high or low					3.3		2		1.4		ns
t <sub>su</sub>	Setup time	A before CLKAB↑ or B before CLKBA↑	2.1		1.6		1.2		0.9		0.8		ns
t <sub>h</sub>	Hold time	A after CLKAB↑ or B after CLKBA↑	1.3		1		0.8		0.6		0.6		ns

# SN74AVC16646

## 16-BIT BUS TRANSCEIVER AND REGISTER WITH 3-STATE OUTPUTS

SCES181F–DECEMBER 1998–REVISED JUNE 2005

### Switching Characteristics

over recommended operating free-air temperature range (unless otherwise noted) (see [Figure 3](#) through [Figure 6](#))

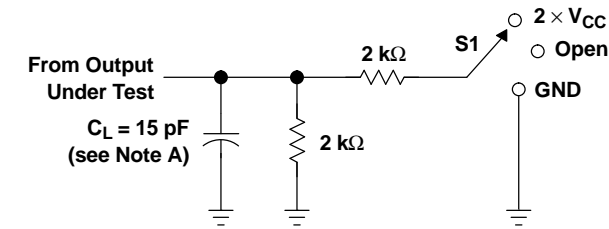
PARAMETER	FROM (INPUT)	TO (OUTPUT)	$V_{CC} = 1.2\text{ V}$		$V_{CC} = 1.5\text{ V} \pm 0.1\text{ V}$		$V_{CC} = 1.8\text{ V} \pm 0.15\text{ V}$		$V_{CC} = 2.5\text{ V} \pm 0.2\text{ V}$		$V_{CC} = 3.3\text{ V} \pm 0.3\text{ V}$		UNIT
			TYP		MIN	MAX	MIN	MAX	MIN	MAX	MIN	MAX	
$f_{max}$							150		250		350		MHz
$t_{pd}$	A or B	B or A	4.2	1.6	4.8	1.5	4.3	1.2	3.1	0.9	2.6	ns	
	CLKAB or CLKBA	A or B	5.9	2.2	7.4	1.9	6.1	1.3	4	1	3.3		
	SAB or SBA		8.2	2.6	10	2.4	6.3	1.8	5.1	1.5	4		
$t_{en}$	$\overline{OE}$	A or B	6.5	2.2	8	1.9	7	1.4	4.6	1.1	4	ns	
$t_{dis}$	$\overline{OE}$	A or B	6.7	2.6	8	2.6	7.2	1.4	4.3	1.4	4.2	ns	
$t_{en}$	DIR	A or B	6.9	2.2	8.7	1.9	7.4	1.4	5	1.1	4.3	ns	
$t_{dis}$	DIR	A or B	7.5	2.6	8.7	2.6	7.6	1.4	4.5	1.4	4.3	ns	

### Operating Characteristics

$T_A = 25^\circ\text{C}$

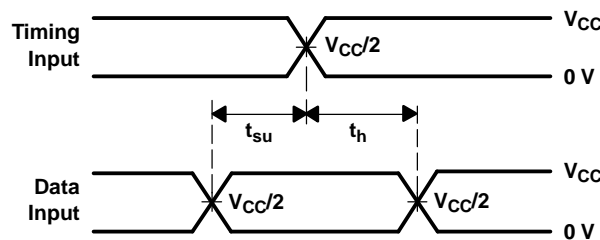
PARAMETER		TEST CONDITIONS	$V_{CC} = 1.8\text{ V}$	$V_{CC} = 2.5\text{ V}$	$V_{CC} = 3.3\text{ V}$	UNIT
			TYP	TYP	TYP	
$C_{pd}$	Power dissipation capacitance	$C_L = 0, f = 10\text{ MHz}$	62	73	120	pF
	Outputs disabled		25	29	34	

PARAMETER MEASUREMENT INFORMATION  
 $V_{CC} = 1.2\text{ V AND } 1.5\text{ V} \pm 0.1\text{ V}$

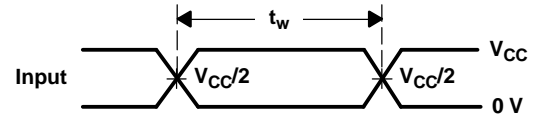


LOAD CIRCUIT

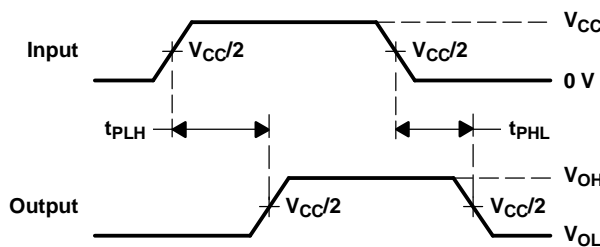
TEST	S1
$t_{pd}$	Open
$t_{PLZ}/t_{PZL}$	$2 \times V_{CC}$
$t_{PHZ}/t_{PZH}$	GND



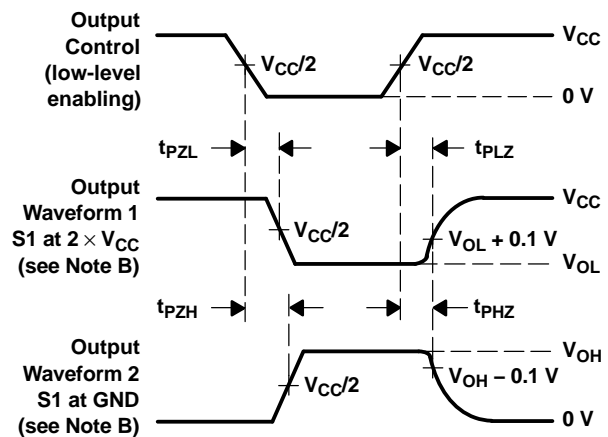
VOLTAGE WAVEFORMS  
SETUP AND HOLD TIMES



VOLTAGE WAVEFORMS  
PULSE DURATION



VOLTAGE WAVEFORMS  
PROPAGATION DELAY TIMES



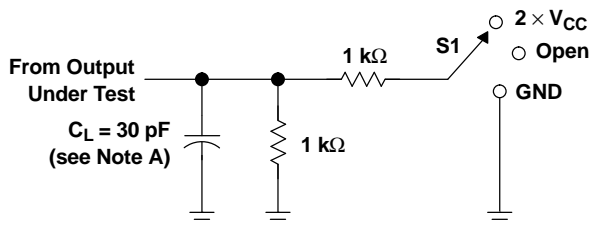
VOLTAGE WAVEFORMS  
ENABLE AND DISABLE TIMES

- NOTES:
- A.  $C_L$  includes probe and jig capacitance.
  - B. Waveform 1 is for an output with internal conditions such that the output is low, except when disabled by the output control. Waveform 2 is for an output with internal conditions such that the output is high, except when disabled by the output control.
  - C. All input pulses are supplied by generators having the following characteristics:  $PRR \leq 10\text{ MHz}$ ,  $Z_O = 50\ \Omega$ ,  $t_r \leq 2\text{ ns}$ ,  $t_f \leq 2\text{ ns}$ .
  - D. The outputs are measured one at a time, with one transition per measurement.
  - E.  $t_{PLZ}$  and  $t_{PHZ}$  are the same as  $t_{dis}$ .
  - F.  $t_{PZL}$  and  $t_{PZH}$  are the same as  $t_{en}$ .
  - G.  $t_{PLH}$  and  $t_{PHL}$  are the same as  $t_{pd}$ .

Figure 3. Load Circuit and Voltage Waveforms

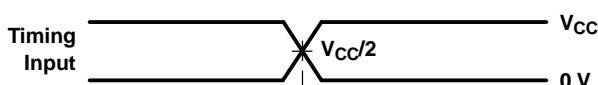
**PARAMETER MEASUREMENT INFORMATION**

$V_{CC} = 1.8\text{ V} \pm 0.15\text{ V}$

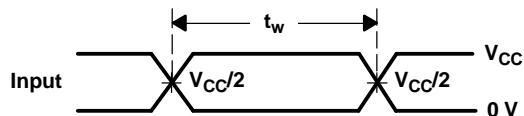


**LOAD CIRCUIT**

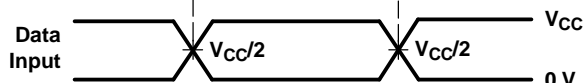
TEST	S1
$t_{pd}$	Open
$t_{PLZ}/t_{PZL}$	$2 \times V_{CC}$
$t_{PHZ}/t_{PZH}$	GND



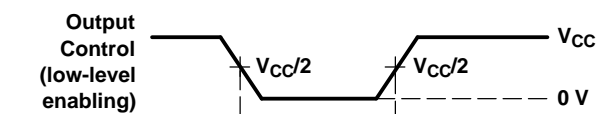
**VOLTAGE WAVEFORMS  
SETUP AND HOLD TIMES**



**VOLTAGE WAVEFORMS  
PULSE DURATION**



**VOLTAGE WAVEFORMS  
PROPAGATION DELAY TIMES**

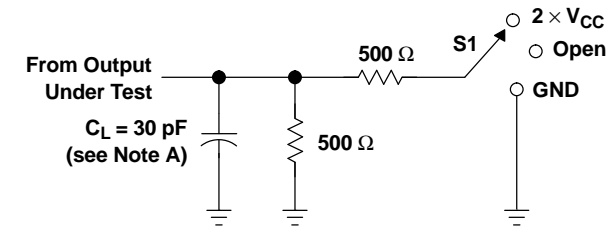


**VOLTAGE WAVEFORMS  
ENABLE AND DISABLE TIMES**

- NOTES: A.  $C_L$  includes probe and jig capacitance.  
B. Waveform 1 is for an output with internal conditions such that the output is low, except when disabled by the output control. Waveform 2 is for an output with internal conditions such that the output is high, except when disabled by the output control.  
C. All input pulses are supplied by generators having the following characteristics:  $PRR \leq 10\text{ MHz}$ ,  $Z_O = 50\ \Omega$ ,  $t_r \leq 2\text{ ns}$ ,  $t_f \leq 2\text{ ns}$ .  
D. The outputs are measured one at a time, with one transition per measurement.  
E.  $t_{PLZ}$  and  $t_{PHZ}$  are the same as  $t_{dis}$ .  
F.  $t_{PZL}$  and  $t_{PZH}$  are the same as  $t_{en}$ .  
G.  $t_{PLH}$  and  $t_{PHL}$  are the same as  $t_{pd}$ .

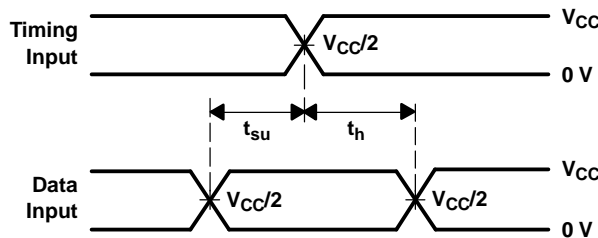
**Figure 4. Load Circuit and Voltage Waveforms**

PARAMETER MEASUREMENT INFORMATION  
 $V_{CC} = 2.5 V \pm 0.2 V$

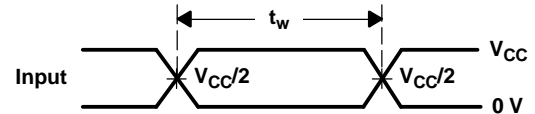


LOAD CIRCUIT

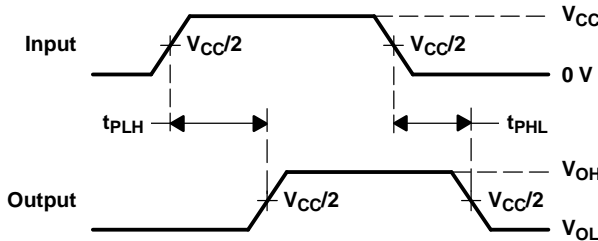
TEST	S1
$t_{pd}$	Open
$t_{PLZ}/t_{PZL}$	2 $\times V_{CC}$
$t_{PHZ}/t_{PZH}$	GND



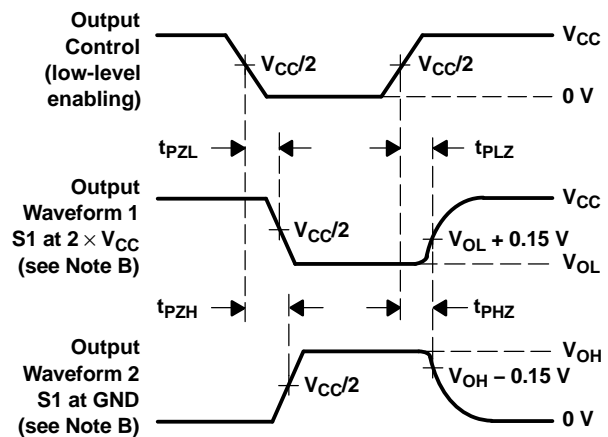
VOLTAGE WAVEFORMS  
SETUP AND HOLD TIMES



VOLTAGE WAVEFORMS  
PULSE DURATION



VOLTAGE WAVEFORMS  
PROPAGATION DELAY TIMES



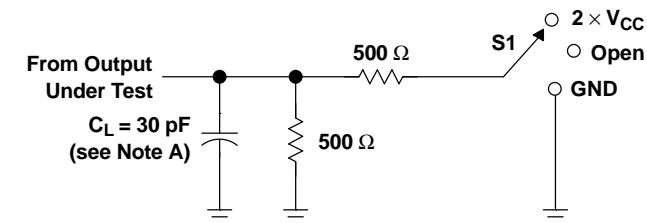
VOLTAGE WAVEFORMS  
ENABLE AND DISABLE TIMES

- NOTES: A.  $C_L$  includes probe and jig capacitance.  
 B. Waveform 1 is for an output with internal conditions such that the output is low, except when disabled by the output control. Waveform 2 is for an output with internal conditions such that the output is high, except when disabled by the output control.  
 C. All input pulses are supplied by generators having the following characteristics:  $PRR \leq 10 \text{ MHz}$ ,  $Z_O = 50 \Omega$ ,  $t_r \leq 2 \text{ ns}$ ,  $t_f \leq 2 \text{ ns}$ .  
 D. The outputs are measured one at a time, with one transition per measurement.  
 E.  $t_{PLZ}$  and  $t_{PHZ}$  are the same as  $t_{dis}$ .  
 F.  $t_{PZL}$  and  $t_{PZH}$  are the same as  $t_{en}$ .  
 G.  $t_{PLH}$  and  $t_{PHL}$  are the same as  $t_{pd}$ .

Figure 5. Load Circuit and Voltage Waveforms

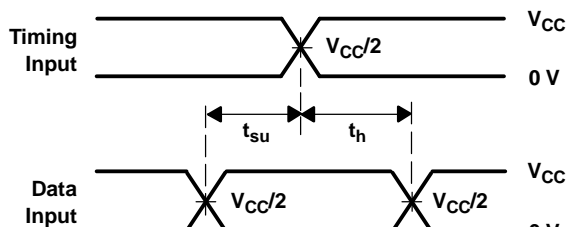
PARAMETER MEASUREMENT INFORMATION

$V_{CC} = 3.3\text{ V} \pm 0.3\text{ V}$

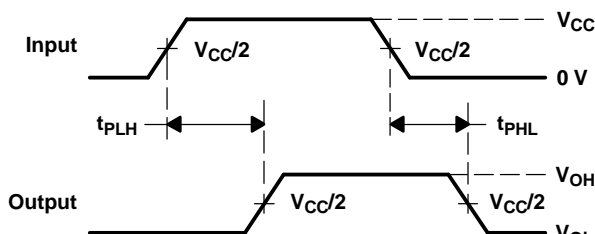


TEST	S1
$t_{pd}$	Open
$t_{PLZ}/t_{PZL}$	$2 \times V_{CC}$
$t_{PHZ}/t_{PZH}$	GND

LOAD CIRCUIT



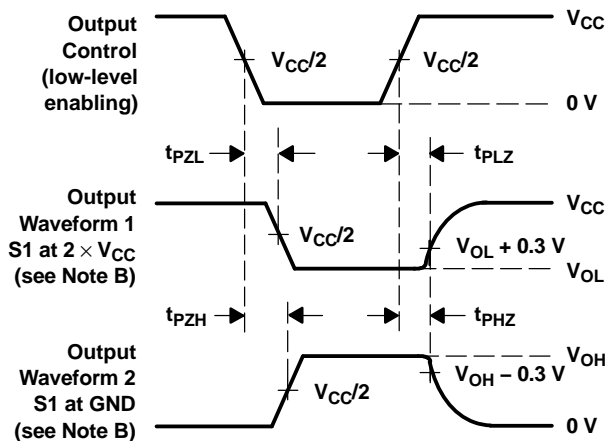
VOLTAGE WAVEFORMS  
SETUP AND HOLD TIMES



VOLTAGE WAVEFORMS  
PROPAGATION DELAY TIMES



VOLTAGE WAVEFORMS  
PULSE DURATION



VOLTAGE WAVEFORMS  
ENABLE AND DISABLE TIMES

- NOTES: A.  $C_L$  includes probe and jig capacitance.  
 B. Waveform 1 is for an output with internal conditions such that the output is low, except when disabled by the output control. Waveform 2 is for an output with internal conditions such that the output is high, except when disabled by the output control.  
 C. All input pulses are supplied by generators having the following characteristics:  $PRR \leq 10\text{ MHz}$ ,  $Z_O = 50\ \Omega$ ,  $t_r \leq 2\text{ ns}$ ,  $t_f \leq 2\text{ ns}$ .  
 D. The outputs are measured one at a time, with one transition per measurement.  
 E.  $t_{PLZ}$  and  $t_{PHZ}$  are the same as  $t_{dis}$ .  
 F.  $t_{PZL}$  and  $t_{PZH}$  are the same as  $t_{en}$ .  
 G.  $t_{PLH}$  and  $t_{PHL}$  are the same as  $t_{pd}$ .

Figure 6. Load Circuit and Voltage Waveforms

**PACKAGING INFORMATION**

Orderable Device	Status <sup>(1)</sup>	Package Type	Package Drawing	Pins	Package Qty	Eco Plan <sup>(2)</sup>	Lead/Ball Finish	MSL Peak Temp <sup>(3)</sup>
74AVC16646DGGRE4	ACTIVE	TSSOP	DGG	56	2000	Green (RoHS & no Sb/Br)	CU NIPDAU	Level-1-260C-UNLIM
74AVC16646DGVRE4	ACTIVE	TVSOP	DGV	56	2000	Green (RoHS & no Sb/Br)	CU NIPDAU	Level-1-260C-UNLIM
SN74AVC16646DGGR	ACTIVE	TSSOP	DGG	56	2000	Green (RoHS & no Sb/Br)	CU NIPDAU	Level-1-260C-UNLIM
SN74AVC16646DGVR	ACTIVE	TVSOP	DGV	56	2000	Green (RoHS & no Sb/Br)	CU NIPDAU	Level-1-260C-UNLIM

<sup>(1)</sup> The marketing status values are defined as follows:

**ACTIVE:** Product device recommended for new designs.

**LIFEBUY:** TI has announced that the device will be discontinued, and a lifetime-buy period is in effect.

**NRND:** Not recommended for new designs. Device is in production to support existing customers, but TI does not recommend using this part in a new design.

**PREVIEW:** Device has been announced but is not in production. Samples may or may not be available.

**OBSOLETE:** TI has discontinued the production of the device.

<sup>(2)</sup> Eco Plan - The planned eco-friendly classification: Pb-Free (RoHS) or Green (RoHS & no Sb/Br) - please check <http://www.ti.com/productcontent> for the latest availability information and additional product content details.

**TBD:** The Pb-Free/Green conversion plan has not been defined.

**Pb-Free (RoHS):** TI's terms "Lead-Free" or "Pb-Free" mean semiconductor products that are compatible with the current RoHS requirements for all 6 substances, including the requirement that lead not exceed 0.1% by weight in homogeneous materials. Where designed to be soldered at high temperatures, TI Pb-Free products are suitable for use in specified lead-free processes.

**Green (RoHS & no Sb/Br):** TI defines "Green" to mean Pb-Free (RoHS compatible), and free of Bromine (Br) and Antimony (Sb) based flame retardants (Br or Sb do not exceed 0.1% by weight in homogeneous material)

<sup>(3)</sup> MSL, Peak Temp. -- The Moisture Sensitivity Level rating according to the JEDEC industry standard classifications, and peak solder temperature.

**Important Information and Disclaimer:**The information provided on this page represents TI's knowledge and belief as of the date that it is provided. TI bases its knowledge and belief on information provided by third parties, and makes no representation or warranty as to the accuracy of such information. Efforts are underway to better integrate information from third parties. TI has taken and continues to take reasonable steps to provide representative and accurate information but may not have conducted destructive testing or chemical analysis on incoming materials and chemicals. TI and TI suppliers consider certain information to be proprietary, and thus CAS numbers and other limited information may not be available for release.

In no event shall TI's liability arising out of such information exceed the total purchase price of the TI part(s) at issue in this document sold by TI to Customer on an annual basis.

DGV (R-PDSO-G\*\*)

PLASTIC SMALL-OUTLINE

24 PINS SHOWN



- NOTES: A. All linear dimensions are in millimeters.  
 B. This drawing is subject to change without notice.  
 C. Body dimensions do not include mold flash or protrusion, not to exceed 0,15 per side.  
 D. Falls within JEDEC: 24/48 Pins – MO-153  
 14/16/20/56 Pins – MO-194



DGG (R-PDSO-G\*\*)

PLASTIC SMALL-OUTLINE PACKAGE

48 PINS SHOWN



- NOTES: A. All linear dimensions are in millimeters.  
 B. This drawing is subject to change without notice.  
 C. Body dimensions do not include mold protrusion not to exceed 0,15.  
 D. Falls within JEDEC MO-153

## IMPORTANT NOTICE

Texas Instruments Incorporated and its subsidiaries (TI) reserve the right to make corrections, modifications, enhancements, improvements, and other changes to its products and services at any time and to discontinue any product or service without notice. Customers should obtain the latest relevant information before placing orders and should verify that such information is current and complete. All products are sold subject to TI's terms and conditions of sale supplied at the time of order acknowledgment.

TI warrants performance of its hardware products to the specifications applicable at the time of sale in accordance with TI's standard warranty. Testing and other quality control techniques are used to the extent TI deems necessary to support this warranty. Except where mandated by government requirements, testing of all parameters of each product is not necessarily performed.

TI assumes no liability for applications assistance or customer product design. Customers are responsible for their products and applications using TI components. To minimize the risks associated with customer products and applications, customers should provide adequate design and operating safeguards.

TI does not warrant or represent that any license, either express or implied, is granted under any TI patent right, copyright, mask work right, or other TI intellectual property right relating to any combination, machine, or process in which TI products or services are used. Information published by TI regarding third-party products or services does not constitute a license from TI to use such products or services or a warranty or endorsement thereof. Use of such information may require a license from a third party under the patents or other intellectual property of the third party, or a license from TI under the patents or other intellectual property of TI.

Reproduction of information in TI data books or data sheets is permissible only if reproduction is without alteration and is accompanied by all associated warranties, conditions, limitations, and notices. Reproduction of this information with alteration is an unfair and deceptive business practice. TI is not responsible or liable for such altered documentation.

Resale of TI products or services with statements different from or beyond the parameters stated by TI for that product or service voids all express and any implied warranties for the associated TI product or service and is an unfair and deceptive business practice. TI is not responsible or liable for any such statements.

Following are URLs where you can obtain information on other Texas Instruments products and application solutions:

<b>Products</b>		<b>Applications</b>	
Amplifiers	<a href="http://amplifier.ti.com">amplifier.ti.com</a>	Audio	<a href="http://www.ti.com/audio">www.ti.com/audio</a>
Data Converters	<a href="http://dataconverter.ti.com">dataconverter.ti.com</a>	Automotive	<a href="http://www.ti.com/automotive">www.ti.com/automotive</a>
DSP	<a href="http://dsp.ti.com">dsp.ti.com</a>	Broadband	<a href="http://www.ti.com/broadband">www.ti.com/broadband</a>
Interface	<a href="http://interface.ti.com">interface.ti.com</a>	Digital Control	<a href="http://www.ti.com/digitalcontrol">www.ti.com/digitalcontrol</a>
Logic	<a href="http://logic.ti.com">logic.ti.com</a>	Military	<a href="http://www.ti.com/military">www.ti.com/military</a>
Power Mgmt	<a href="http://power.ti.com">power.ti.com</a>	Optical Networking	<a href="http://www.ti.com/opticalnetwork">www.ti.com/opticalnetwork</a>
Microcontrollers	<a href="http://microcontroller.ti.com">microcontroller.ti.com</a>	Security	<a href="http://www.ti.com/security">www.ti.com/security</a>
		Telephony	<a href="http://www.ti.com/telephony">www.ti.com/telephony</a>
		Video & Imaging	<a href="http://www.ti.com/video">www.ti.com/video</a>
		Wireless	<a href="http://www.ti.com/wireless">www.ti.com/wireless</a>

Mailing Address: Texas Instruments  
Post Office Box 655303 Dallas, Texas 75265