

TMX T606

SAW BANDPASS FILTER - ISM/RKE

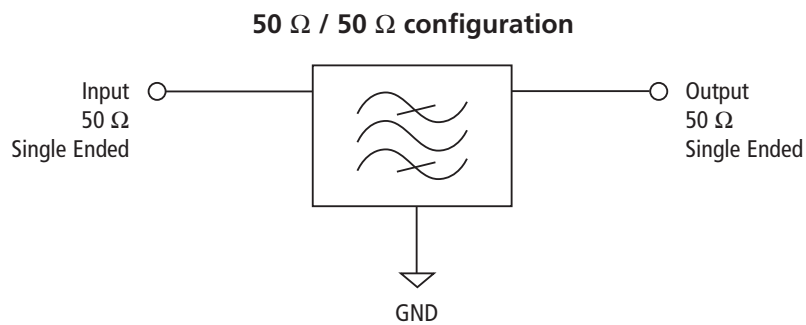
Preliminary Specification

Operating temperature range [-40°C; +85°C]

		Minimum	Typical	Maximum
Source Impedance (single ended)	Ω		50 ⁽²⁾	
Load Impedance (single ended)	Ω		50 ⁽²⁾	
Center Frequency f_c	MHz		433.92	
Template on the amplitude, reference is loss 0 dB				
300 kHz to 350 MHz	dB	60	67	
350 to 393 MHz	dB	55	60	
393 to 422 MHz	dB	42	50	
458 to 464 MHz	dB	39	48	
464 to 490 MHz	dB	42	52	
490 to 800 MHz	dB	46	52	
Maximum Insertion Loss in 433.05 MHz-434.79 MHz	dB		3.0	4.0
Amplitude Ripple in 433.05 MHz-434.79 MHz	dB _{p-p}		0.3	1.3
Package type & size				
Length x Width	mm ²		3.8 x 3.8	
Height	mm		1.1	1.375
Pin Out				
Input	2	Output	5	
Case Ground	1, 3, 4, 6	To Be Grounded	1, 3, 4, 6	

Note:

- (1) Typical values are nominal performances at room temperature
- (2) No external matching circuit is required



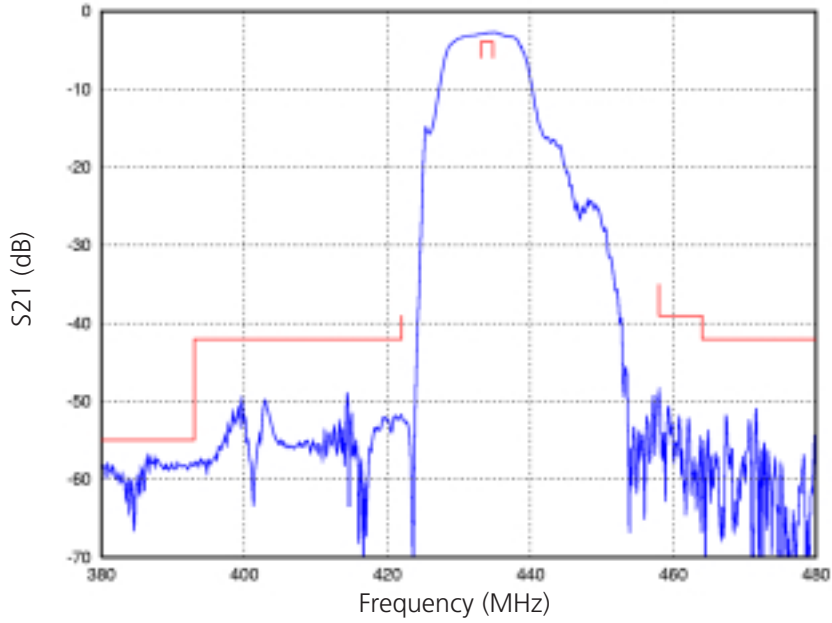


TMX T606

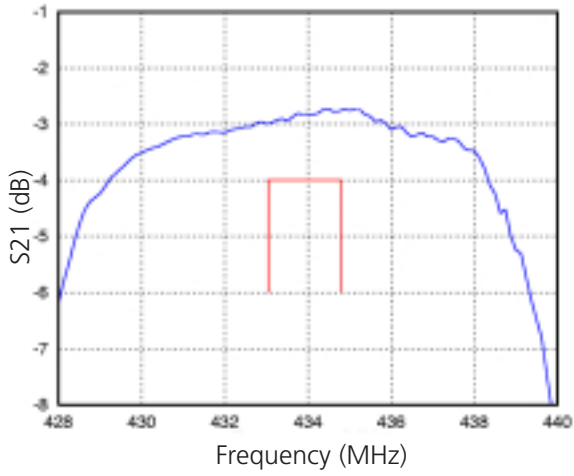
SAW BANDPASS FILTER - ISM/RKE

Preliminary Specification
Typical S21 response

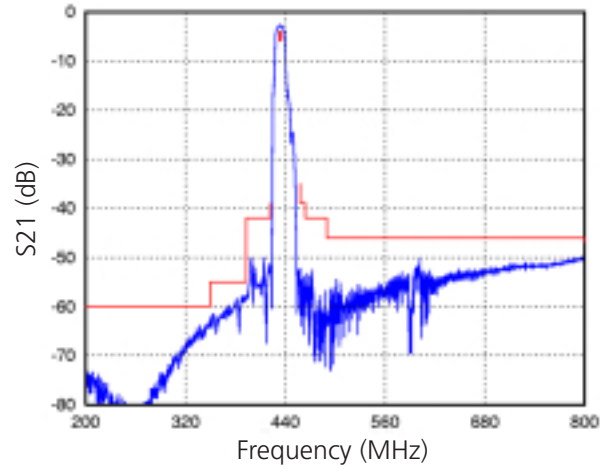
FREQUENCY RESPONSE



FREQUENCY RESPONSE



INPUT/OUTPUT VSWR

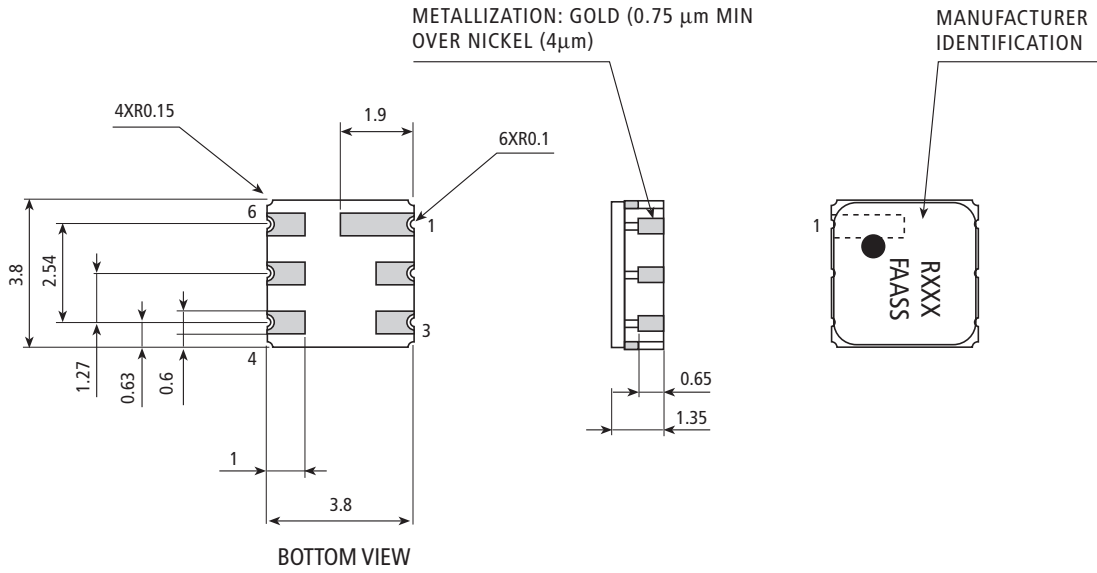


TMX T606

SAW BANDPASS FILTER - ISM/RKE

Package

All dimensions are in mm



	A	0.1mm/25.4mm
General Tolerance		± 0.2 mm