

TMX R409

SAW BANDPASS FILTER - CDMA RX-IF

Specification

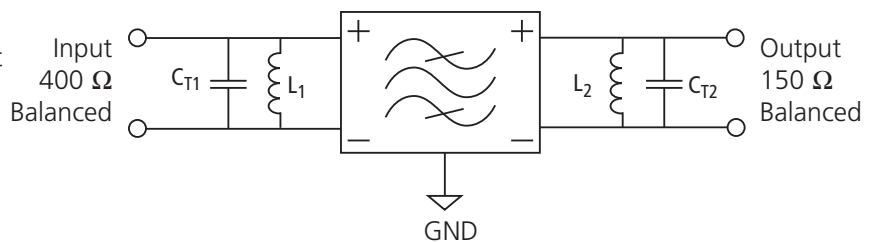
All performances include temperature variations

		Minimum	Typical	Maximum
Source impedance (Balanced) ⁽¹⁾	Ω		400	
Load impedance (Balanced) ⁽¹⁾	Ω		150	
Operating temperature range	$^{\circ}\text{C}$	-30		+85
Center frequency F_c	MHz		183.6	
Template on the amplitude, reference is loss at F_c				
Bandwidth at -5.0 dB	MHz	± 0.63	± 0.70	
Bandwidth at -33.0 dB	MHz		± 0.84	± 0.9
Out of band rejection:				
From 10 MHz to 168.6 MHz	dB	50	55	
From 168.6 MHz to 174.6 MHz	dB	40	45	
From 174.6 MHz to 182.7 MHz	dB	33	36	
From 184.5 MHz to 192.6 MHz	dB	33	37	
From 192.6 MHz to 198.6 MHz	dB	40	45	
From 198.6 MHz to 283.6 MHz	dB	50	55	
Attenuation at $F_c - 0.9$ MHz	dB	33	36	
Attenuation at $F_c + 0.9$ MHz	dB	35	37	
Attenuation at $F_c - 1.25$ MHz	dB	33	36	
Attenuation at $F_c + 1.25$ MHz	dB	35	37	
Attenuation at $F_c \pm 1.7$ MHz	dB	35	40	
Attenuation at $F_c \pm 2.05$ MHz	dB	35	45	
Phase linearity within $F_c \pm 0.63$ MHz	$^{\circ}\text{rms}$		1.4	2.8
Amplitude ripple within $F_c \pm 0.3$ MHz	dB		0.6	1.2
Insertion loss at F_c	dB		9.7	11.0
Package type & size		SMP 35		
Length x width	mm^2	7.0 x 5.0		
Height	mm	1.2	1.35	
Pin Out				
Input (+)	10	Output (+)	5	
Input (-)	1	Output (-)	6	
Case Ground	2, 4, 7, 9	To Be Grounded	2, 3, 4, 7, 8, 9	

Note:

⁽¹⁾ Input and Output impedances can be modified if needed. Recommended matching circuit is available on request

Matching network for 400 Ω / 150 Ω configuration



Temex Microsonics test fixture	Customer PC Board
$L_1 = 47 \text{ nH } Q > 45 / L_2 = 27 \text{ nH } Q > 45$	$L_1 = \text{TBD } Q > 45 / L_2 = \text{TBD } Q > 45$

C_{T1}, C_{T2} = Tuning capacitors for Inductors (L_1 / L_2) adjustment

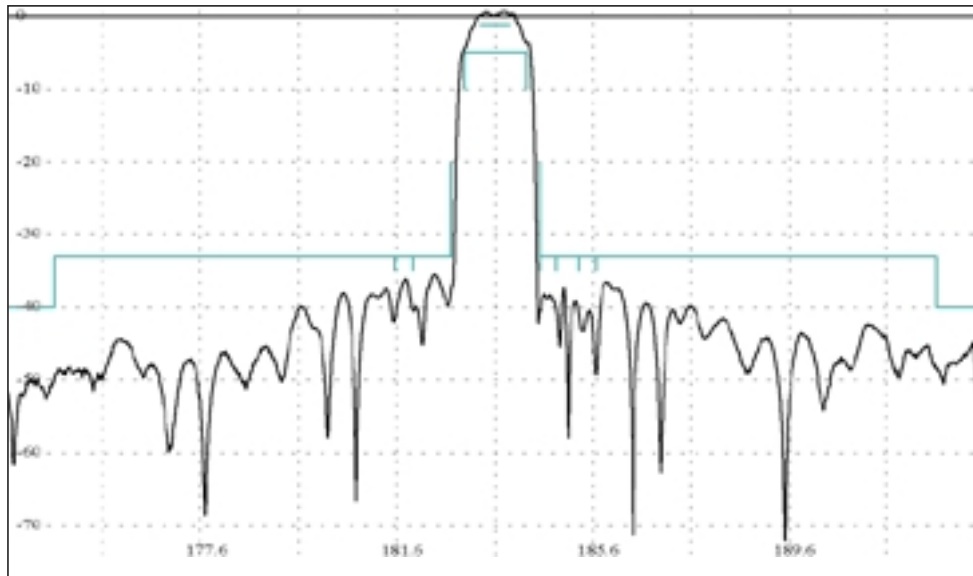
TMX R409

SAW BANDPASS FILTER - CDMA Rx-IF

Typical response

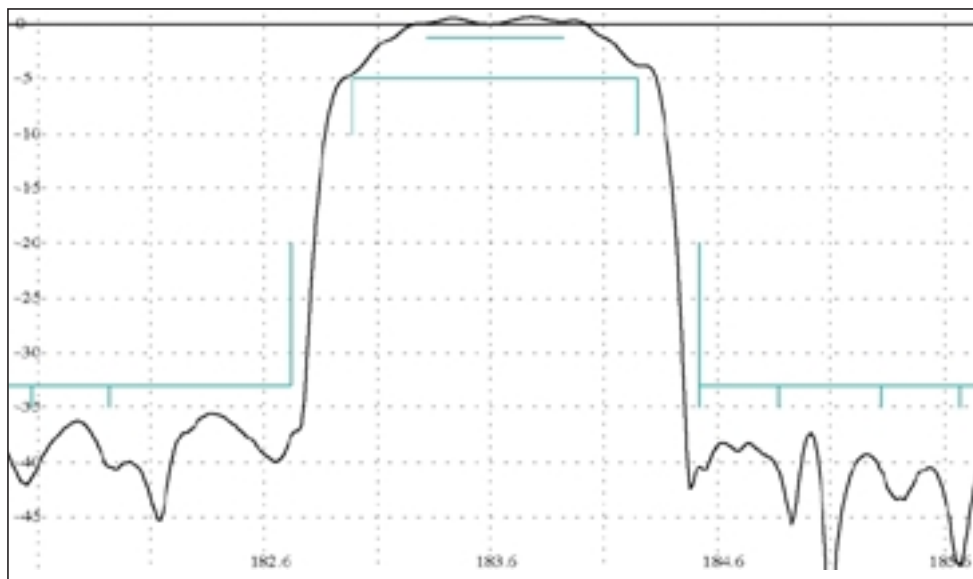
Center frequency = 183.6 MHz
 Loss reference = 09.69 dB
 Delay reference = 1.43 μ s
 Phase reference = -154.23 deg

Scale frequency = 2 MHz/div
 Scale amplitude = 10 dB/div



Center frequency = 183.6 MHz
 Loss reference = 09.69 dB
 Delay reference = 1.43 μ s
 Phase reference = -154.23 deg

Scale frequency = 0.5 MHz/div
 Scale amplitude = 5 dB/div

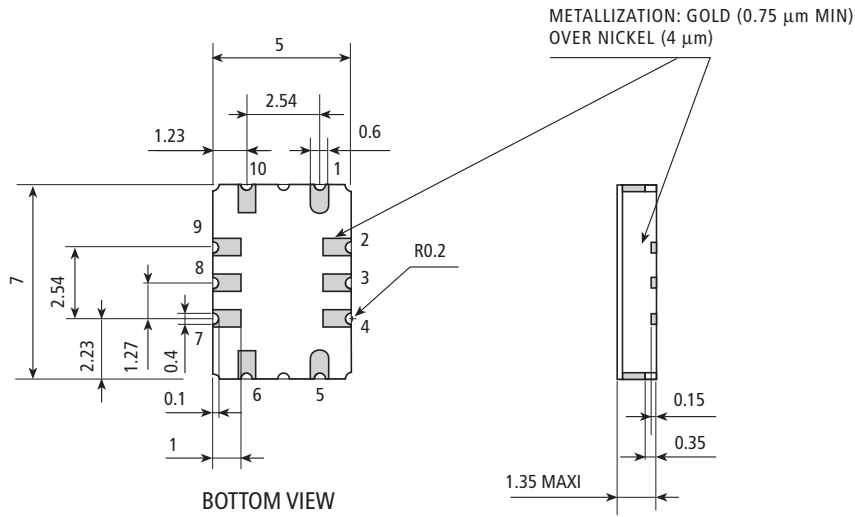


TMX R409

SAW BANDPASS FILTER - CDMA Rx-IF

Package

All dimensions in mm



	A	0.1mm/25.4mm
General Tolerance		±0.2mm