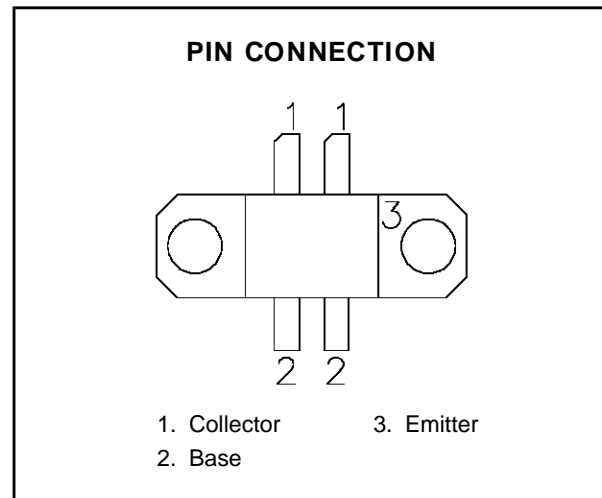
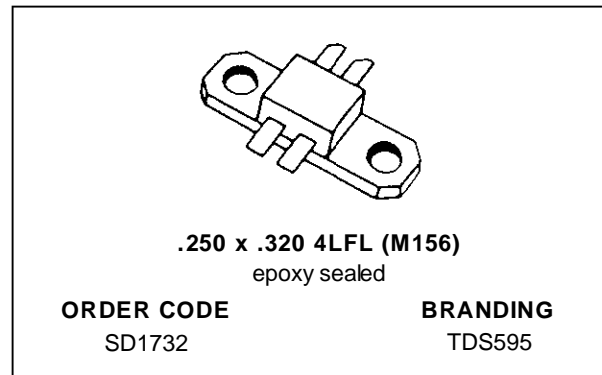


RF & MICROWAVE TRANSISTORS TV LINEAR APPLICATIONS

- 470 - 860 MHz
- 25 VOLTS
- CLASS A PUSH PULL
- DESIGNED FOR HIGH POWER LINEAR OPERATION
- HIGH SATURATED POWER CAPABILITY
- GOLD METALLIZATION
- DIFFUSED EMITTER BALLAST RESISTORS
- COMMON EMITTER CONFIGURATION
- INTERNAL INPUT MATCHING
- $P_{OUT} = 14.0$ W MIN. WITH 8.5 dB GAIN



DESCRIPTION

The SD1732 is a gold metallized epitaxial silicon NPN planar transistor using diffused emitter ballast resistors for high linearity Class A operation in UHF and Band IV, V television transmitters and transposers.

ABSOLUTE MAXIMUM RATINGS ($T_{case} = 25^{\circ}C$)

Symbol	Parameter	Value	Unit
V_{CBO}	Collector-Base Voltage	45	V
V_{CEO}	Collector-Emitter Voltage	25	V
V_{EBO}	Emitter-Base Voltage	4.0	V
I_C	Device Current	2 x 2.6	A
P_{DISS}	Power Dissipation	65	W
T_J	Junction Temperature	+200	$^{\circ}C$
T_{STG}	Storage Temperature	- 65 to +150	$^{\circ}C$

THERMAL DATA

$R_{TH(j-c)}$	Junction-Case Thermal Resistance	2.5	$^{\circ}C/W$
---------------	----------------------------------	-----	---------------

SD1732 (TDS595)

ELECTRICAL SPECIFICATIONS ($T_{case} = 25^{\circ}C$)

STATIC

Symbol	Test Conditions		Value			Unit
			Min.	Typ.	Max.	
BV_{CBO}	$I_C = 20mA$	$I_E = 0mA$	45	—	—	V
BV_{CEO}	$I_C = 40mA$	$I_B = 0mA$	25	—	—	V
BV_{EBO}	$I_E = 5mA$	$I_C = 0mA$	3.0	—	—	V
h_{FE}	$V_{CE} = 20V$	$I_C = 0.5A$	10	—	—	—

DYNAMIC

Symbol	Test Conditions			Value			Unit
				Min.	Typ.	Max.	
P_{OUT}	$f = 845 MHz$	$V_{CE} = 25 V$	$I_{CQ} = 2 \times 850 mA$	14	—	—	W
G_P	$P_{OUT} = 14 W$	$V_{CE} = 25 V$	$I_{CQ} = 2 \times 850 mA$	8.5	—	—	dB
IMD_3^*	$P_{OUT} = 14 W$	$V_{CE} = 25 V$	$I_{CQ} = 2 \times 850 mA$	—	-47	—	dBc
CMD^{**}	$P_{OUT} = 14 W$	$V_{CE} = 25 V$	$I_{CQ} = 2 \times 850 mA$	—	20	—	%
C_{OB}	$f = 1 MHz$	$V_{CB} = 25 V$		—	—	20	pF

Note: *IMD 3 Tone Testing

Vision Carrier -8 dB ref

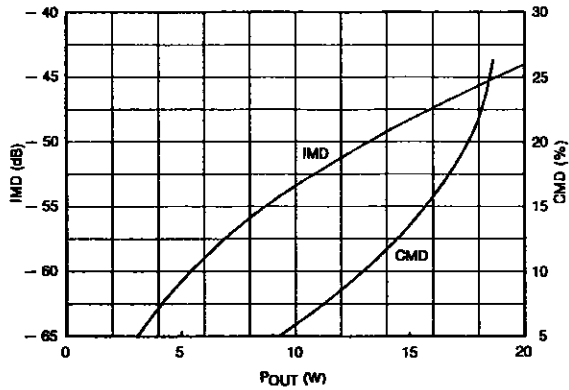
Sound Carrier -7 dB ref

Sideband Carrier -16 dB ref

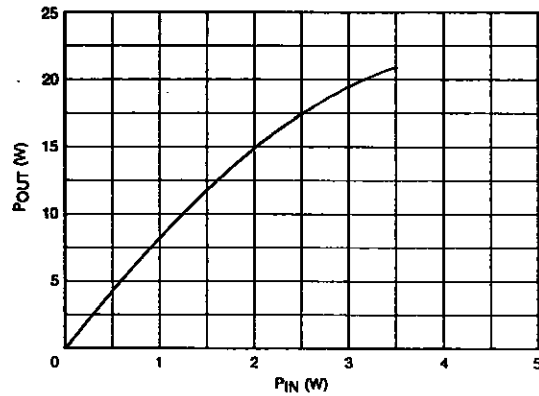
** CMD: Cross Modulation Distortion of the Voltage Variation (%) of Sound Carrier When Vision Carrier is Switched from 0 to -20 dB

TYPICAL PERFORMANCE

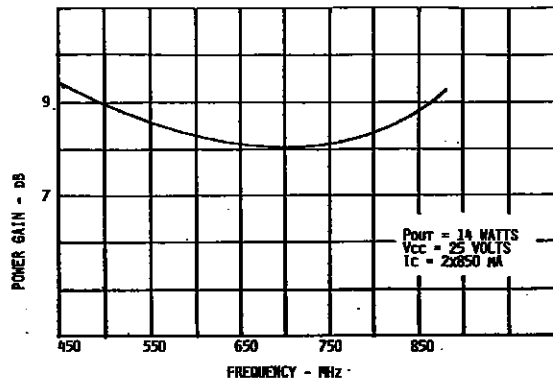
INTERMODULATION DISTORTION & CROSS MODULATION DISTORTION vs POWER OUTPUT



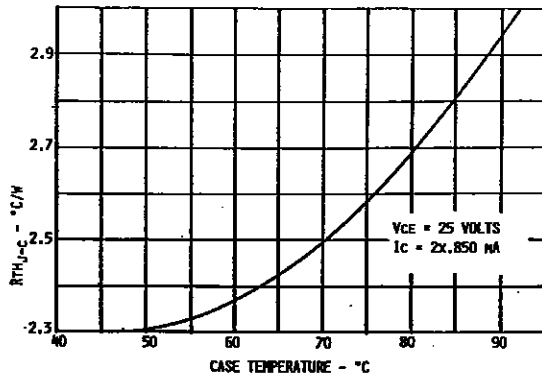
POWER OUTPUT vs POWER INPUT



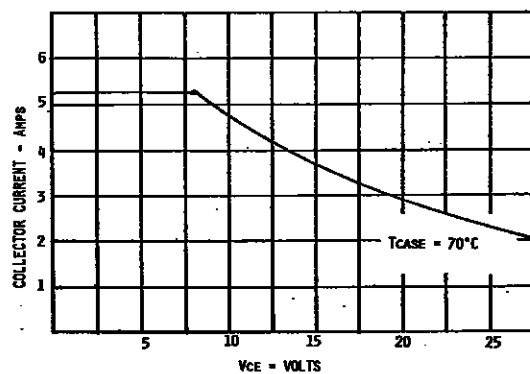
BROADBAND POWER GAIN vs FREQUENCY



THERMAL RESISTANCE vs CASE TEMPERATURE

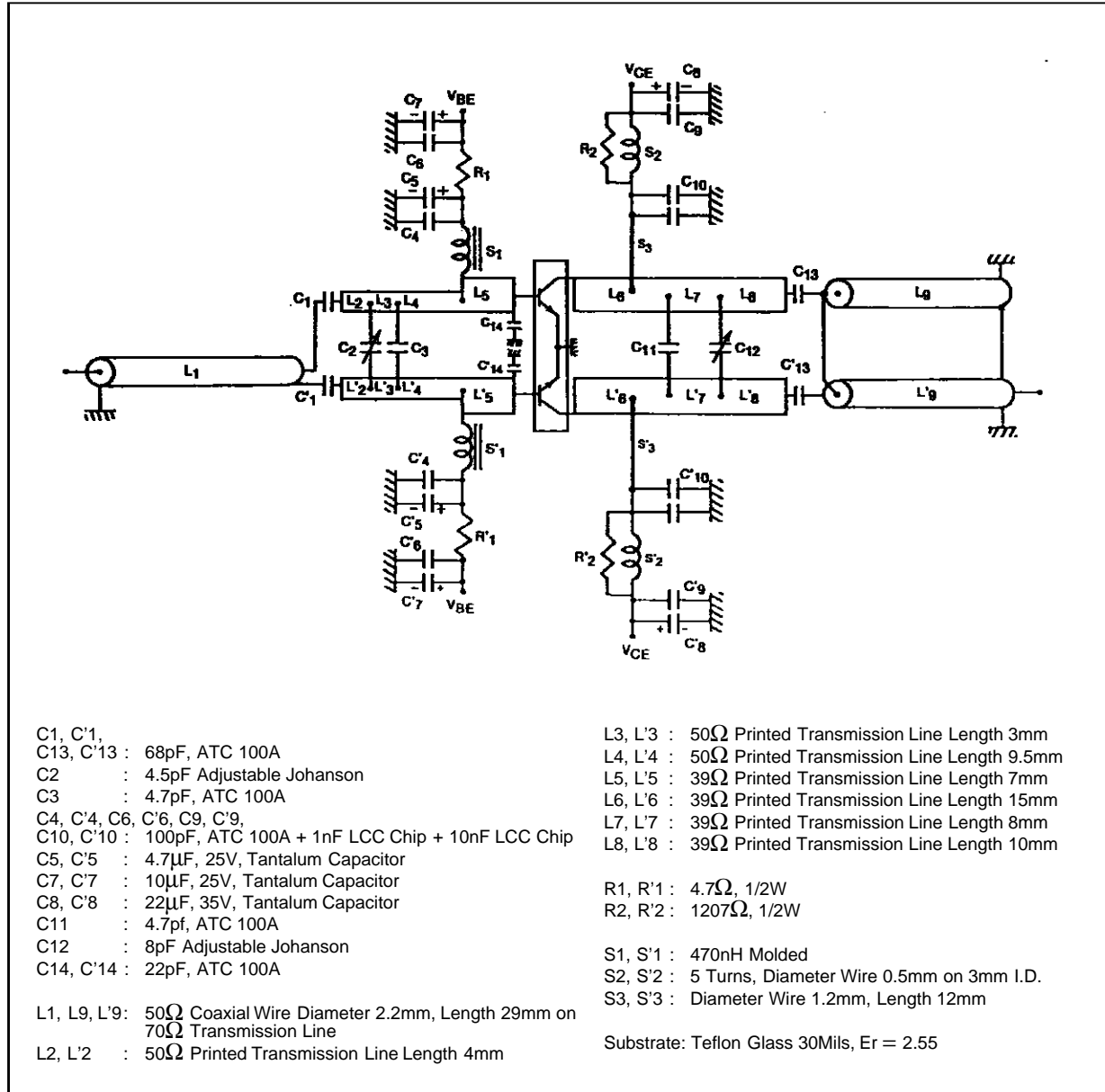


SAFE OPERATING AREA

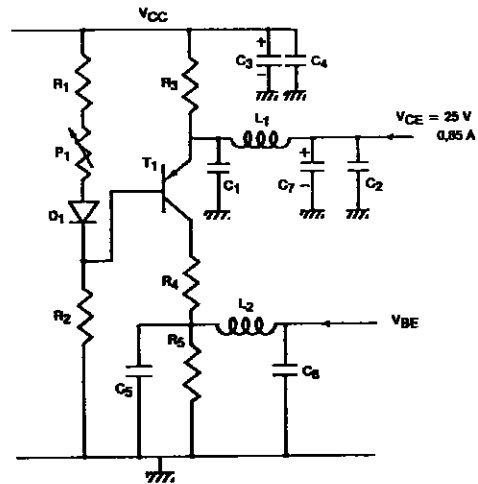


SD1732 (TDS595)

TEST CIRCUIT

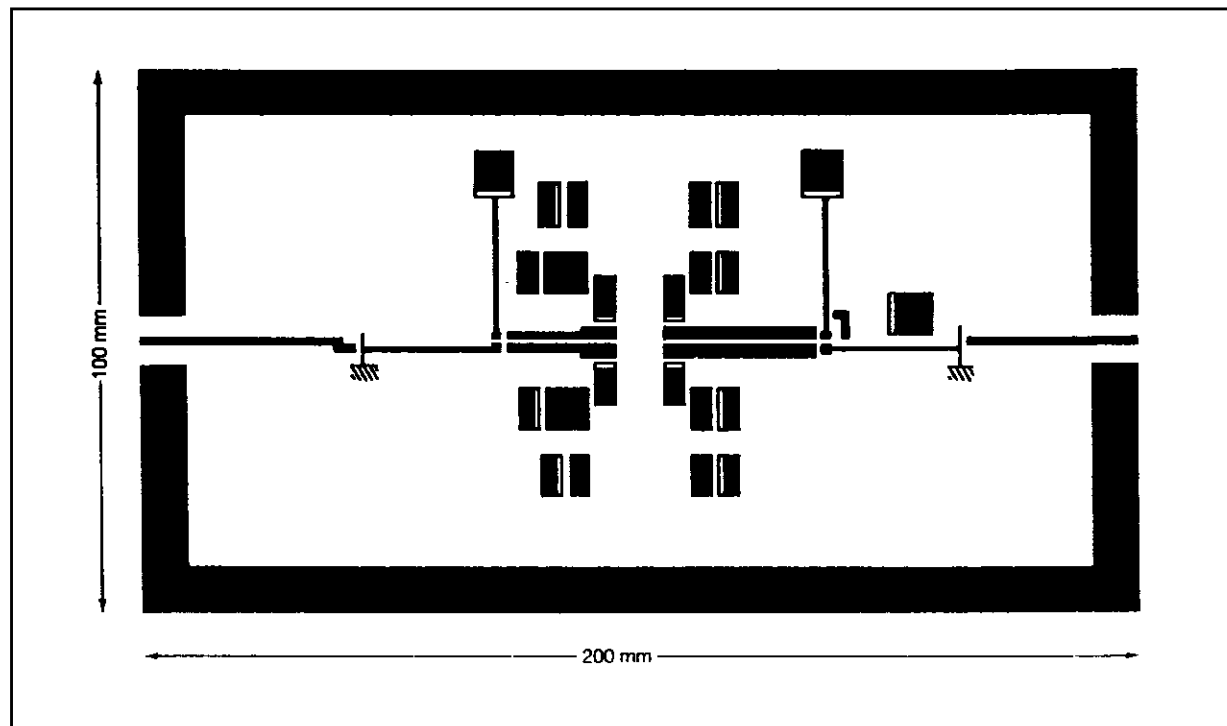


SUPPLY CIRCUIT - CLASS A ADJUSTABLE (per side)



C1, C2, C4,	P1	: 1k Ω
C5, C6	R1	: 56 Ω , 1/2W
C3	R2	: 5600 Ω , 1/2W
C7	R3	: 2.2 Ω , 3W
D1	R4, R5	: 56 Ω , 1W
L1, L2	T1	: BDX 54 B

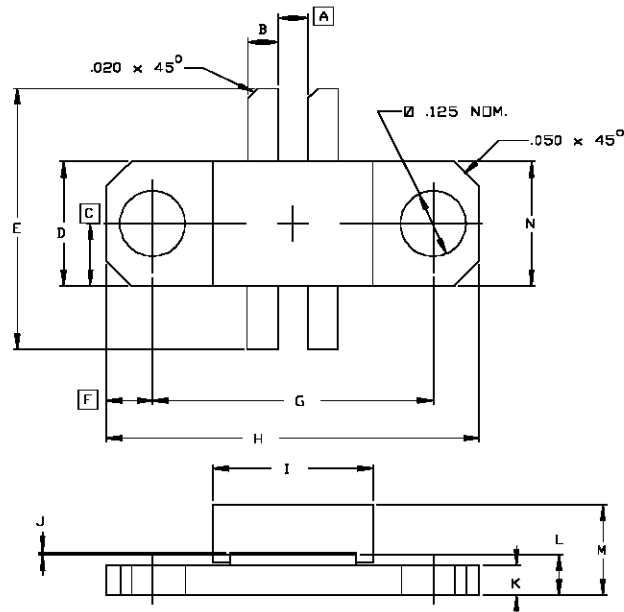
PHOTOMASTER OF TEST CIRCUIT



SD1732 (TDS595)

PACKAGE MECHANICAL DATA

Ref.: Dwg. No.12-0156



SGS-THOMSON MICROELECTRONICS		CONT'D			
	MINIMUM Inches/mm	MAXIMUM Inches/mm		MINIMUM Inches/mm	MAXIMUM Inches/mm
A	.060/1,52		K	.055/1,40	.065/1,65
B	.055/1,40	.065/1,65	L	.075/1,91	.095/2,41
C	.124/3,15		M	.190/4,83	
D	.243/6,17	.253/6,43	N	.245/6,22	.257/6,53
E	.635/16,13	.665/16,89			
F	.092/2,34				
G	.555/14,10	.565/14,35			
H	.739/18,77	.749/19,02			
I	.315/8,00	.327/8,31			
J	.002/0,05	.006/0,15			

Information furnished is believed to be accurate and reliable. However, SGS-THOMSON Microelectronics assumes no responsibility for the consequences of use of such information nor for any infringement of patents or other rights of third parties which may result from its use. No license is granted by implication or otherwise under any patent or patent rights of SGS-THOMSON Microelectronics. Specifications mentioned in this publication are subject to change without notice. This publication supersedes and replaces all information previously supplied. SGS-THOMSON Microelectronics products are not authorized for use as critical components in life support devices or systems without express written approval of SGS-THOMSON Microelectronics.

© 1994 SGS-THOMSON Microelectronics - All Rights Reserved

SGS-THOMSON Microelectronics GROUP OF COMPANIES
 Australia - Brazil - France - Germany - Hong Kong - Italy - Japan - Korea - Malaysia - Malta - Morocco - The Netherlands -
 Singapore - Spain - Sweden - Switzerland - Taiwan - Thailand - United Kingdom - U.S.A