



# STGW12NB60H

## N-CHANNEL 12A - 600V TO-247 PowerMESH™ IGBT

PRELIMINARY DATA

TYPE	V <sub>CES</sub>	V <sub>CE(sat)</sub>	I <sub>C</sub>
STGW12NB60H	600 V	< 2.8 V	12 A

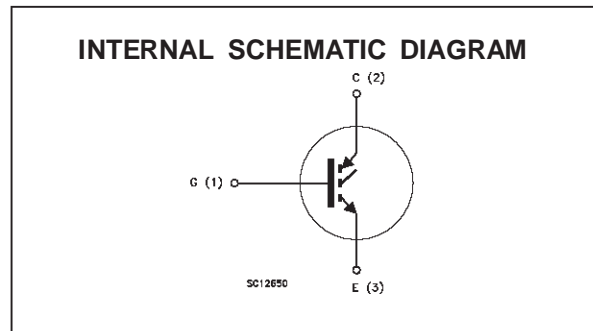
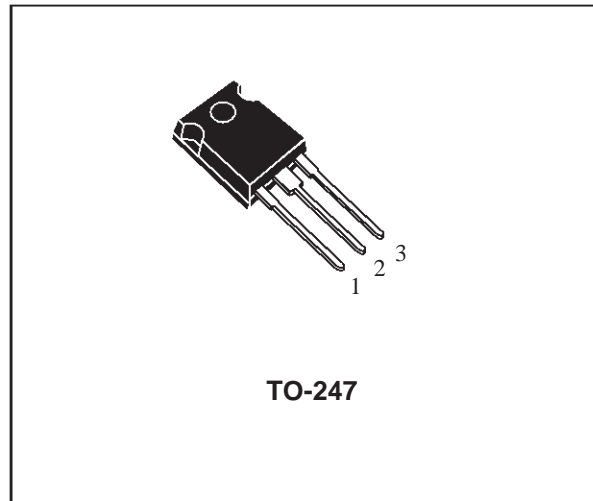
- HIGH INPUT IMPEDANCE (VOLTAGE DRIVEN)
- LOW ON-VOLTAGE DROP (V<sub>CESAT</sub>)
- LOW GATE CHARGE
- HIGH CURRENT CAPABILITY
- VERY HIGH FREQUENCY OPERATION
- OFF LOSSES INCLUDE TAIL CURRENT

### DESCRIPTION

Using the latest high voltage technology based on a patented strip layout, STMicroelectronics has designed an advanced family of IGBTs, the PowerMESH™ IGBTs, with outstanding performances. The suffix "H" identifies a family optimized to achieve very low switching times for high frequency applications (<120kHz).

### APPLICATIONS

- HIGH FREQUENCY MOTOR CONTROLS
- SMPS AND PFC IN BOTH HARD SWITCH AND RESONANT TOPOLOGIES



### ABSOLUTE MAXIMUM RATINGS

Symbol	Parameter	Value	Unit
V <sub>CES</sub>	Collector-Emitter Voltage (V <sub>GS</sub> = 0)	600	V
V <sub>ECR</sub>	Emitter-Collector Voltage	20	V
V <sub>GE</sub>	Gate-Emitter Voltage	± 20	V
I <sub>C</sub>	Collector Current (continuous) at T <sub>c</sub> = 25 °C	24	A
I <sub>C</sub>	Collector Current (continuous) at T <sub>c</sub> = 100 °C	12	A
I <sub>CM</sub> (•)	Collector Current (pulsed)	96	A
P <sub>tot</sub>	Total Dissipation at T <sub>c</sub> = 25 °C	120	W
	Derating Factor	0.96	W/°C
T <sub>stg</sub>	Storage Temperature	-65 to 150	°C
T <sub>j</sub>	Max. Operating Junction Temperature	150	°C

(•) Pulse width limited by safe operating area

## STGW12NB60H

### THERMAL DATA

$R_{thj-case}$	Thermal Resistance Junction-case	Max	1.04	$^{\circ}C/W$
$R_{thj-amb}$	Thermal Resistance Junction-ambient	Max	30	$^{\circ}C/W$
$R_{thc-h}$	Thermal Resistance Case- heatsink	Typ	0.1	$^{\circ}C/W$

### ELECTRICAL CHARACTERISTICS ( $T_j = 25^{\circ}C$ unless otherwise specified)

#### OFF

Symbol	Parameter	Test Conditions	Min.	Typ.	Max.	Unit
$V_{BR(CES)}$	Collector-Emitter Breakdown Voltage	$I_C = 250 \mu A$ $V_{GE} = 0$	600			V
$I_{CES}$	Collector cut-off ( $V_{GE} = 0$ )	$V_{CE} = \text{Max Rating}$ $T_j = 25^{\circ}C$ $V_{CE} = \text{Max Rating}$ $T_j = 125^{\circ}C$			10 100	$\mu A$ $\mu A$
$I_{GES}$	Gate-Emitter Leakage Current ( $V_{CE} = 0$ )	$V_{GE} = \pm 20 V$ $V_{CE} = 0$			$\pm 100$	nA

#### ON (\*)

Symbol	Parameter	Test Conditions	Min.	Typ.	Max.	Unit
$V_{GE(th)}$	Gate Threshold Voltage	$V_{CE} = V_{GE}$ $I_C = 250 \mu A$	3		5	V
$V_{CE(SAT)}$	Collector-Emitter Saturation Voltage	$V_{GE} = 15 V$ $I_C = 12 A$ $V_{GE} = 15 V$ $I_C = 12 A$ $T_j = 125^{\circ}C$		2.0 1.7	2.8	V V

### DYNAMIC

Symbol	Parameter	Test Conditions	Min.	Typ.	Max.	Unit
$g_{fs}$	Forward Transconductance	$V_{CE} = 25 V$ $I_C = 12 A$		9.5		S
$C_{ies}$ $C_{oes}$ $C_{res}$	Input Capacitance Output Capacitance Reverse Transfer Capacitance	$V_{CE} = 25 V$ $f = 1 MHz$ $V_{GE} = 0$		950 120 27		pF pF pF
$Q_G$ $Q_{GE}$ $Q_{GC}$	Total Gate Charge Gate-Emitter Charge Gate-Collector Charge	$V_{CE} = 480 V$ $I_C = 12 A$ $V_{GE} = 15 V$		68 10 30		nC nC nC
$I_{CL}$	Latching Current	$V_{clamp} = 480$ $R_G = 10 \Omega$ $T_j = 150^{\circ}C$	48			A

### SWITCHING ON

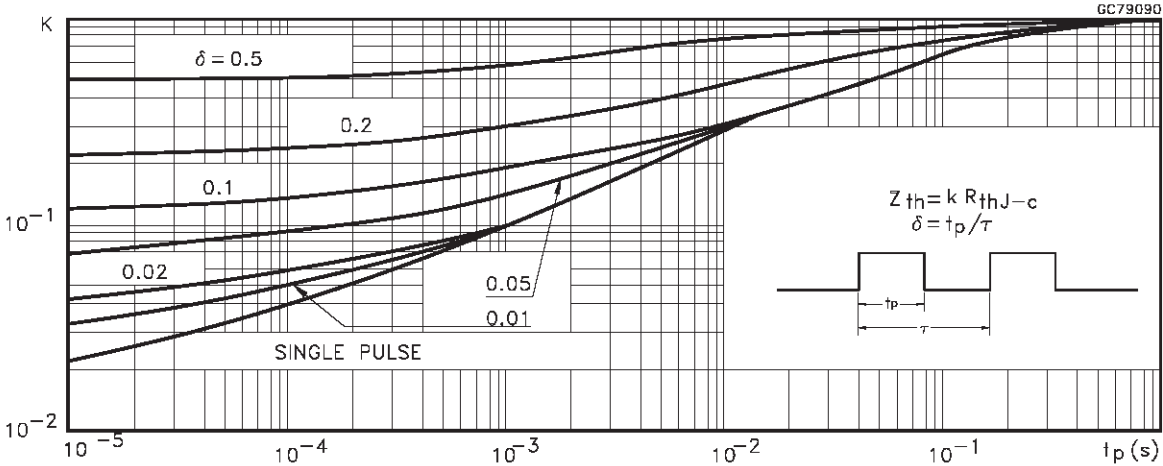
Symbol	Parameter	Test Conditions	Min.	Typ.	Max.	Unit
$t_{d(on)}$ $t_r$	Delay Time Rise Time	$V_{CC} = 480 V$ $I_C = 12 A$ $V_{GE} = 15 V$ $R_G = 10 \Omega$		5 46		ns ns
$(di/dt)_{on}$	Turn-on Current Slope	$V_{CC} = 480 V$ $I_C = 12 A$ $R_G = 10 \Omega$ $V_{GE} = 15 V$		1000		A/ $\mu s$
$E_{on}$	Turn-on Switching Losses	$T_j = 125^{\circ}C$		290		$\mu J$

**ELECTRICAL CHARACTERISTICS** (continued)  
**SWITCHING OFF**

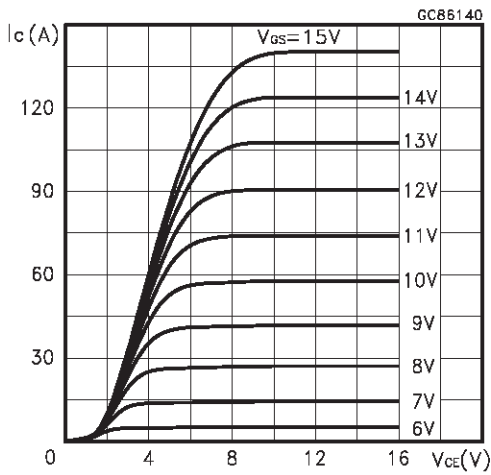
Symbol	Parameter	Test Conditions	Min.	Typ.	Max.	Unit
$t_c$	Cross-Over Time	$V_{CC} = 480\text{ V}$ $I_C = 12\text{ A}$ $R_{GE} = 10\ \Omega$ $V_{GE} = 15\text{ V}$		150		ns
$t_r(V_{off})$	Off Voltage Rise Time			27		ns
$t_{d(off)}$	Delay Time			76		ns
$t_f$	Fall Time			92		ns
$E_{off(**)}$	Turn-off Switching Loss			0.21		mJ
$E_{ts}$	Total Switching Loss		0.49		mJ	
$t_c$	Cross-Over Time	$V_{CC} = 480\text{ V}$ $I_C = 12\text{ A}$ $R_{GE} = 10\ \Omega$ $V_{GE} = 15\text{ V}$ $T_j = 125\text{ }^\circ\text{C}$		230		ns
$t_r(V_{off})$	Off Voltage Rise Time			76		ns
$t_{d(off)}$	Delay Time			95		ns
$t_f$	Fall Time			200		ns
$E_{off(**)}$	Turn-off Switching Loss			0.45		mJ
$E_{ts}$	Total Switching Loss		0.74		mJ	

(●) Pulse width limited by max. junction temperature  
 (\*) Pulsed: Pulse duration = 300  $\mu\text{s}$ , duty cycle 1.5 %  
 (\*\*) Losses Include Also The Tail (Jedec Standardization)

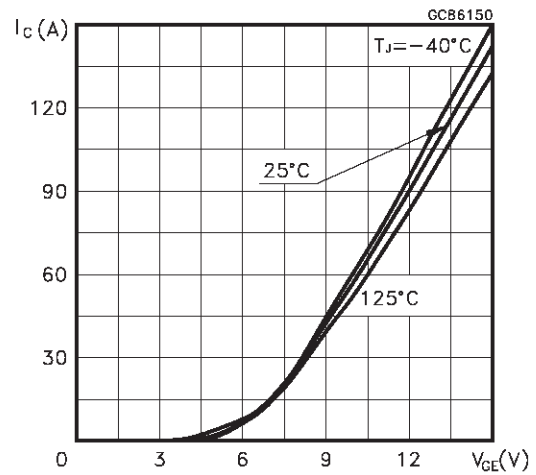
Thermal Impedance



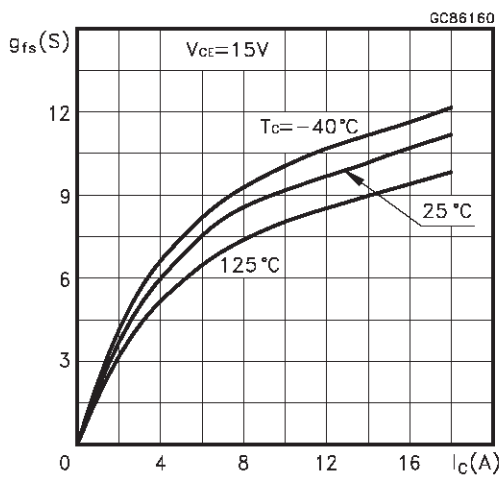
Output Characteristics



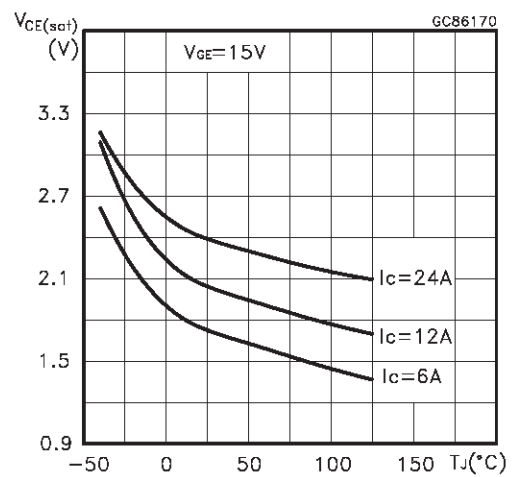
Transfer Characteristics



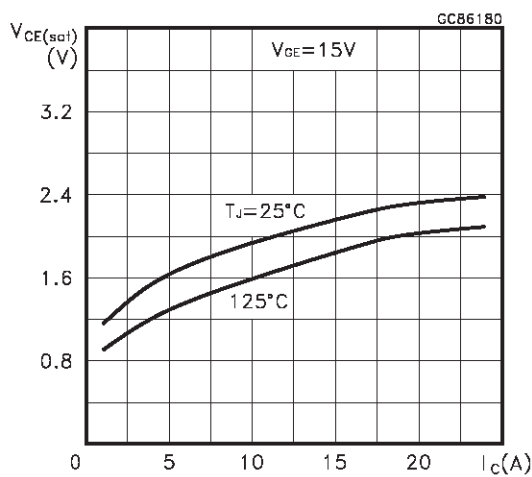
Transconductance



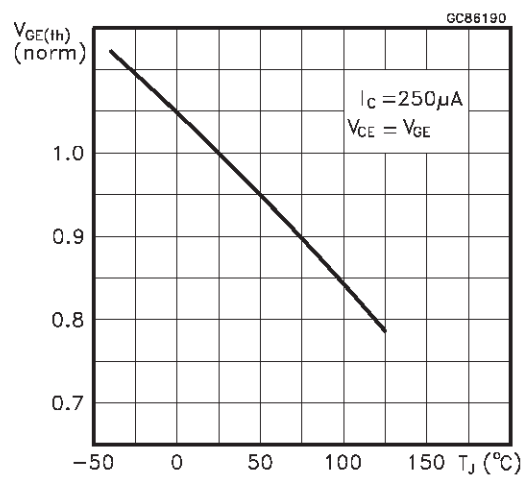
Collector-Emitter On Voltage vs Temperature



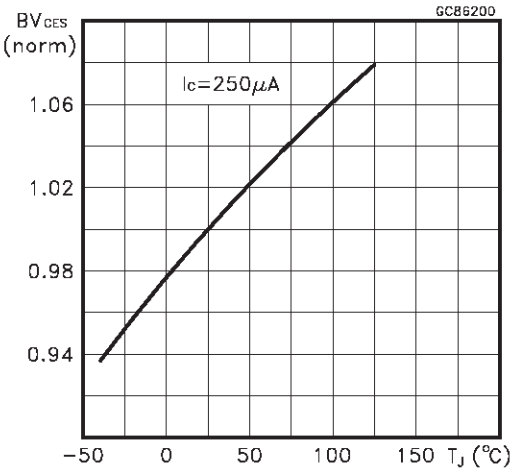
Collector-Emitter On Voltage vs Collector Current



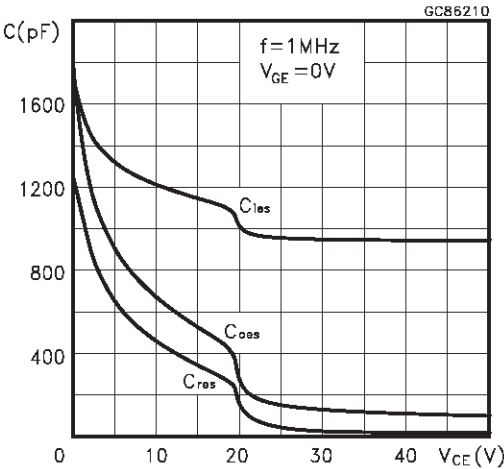
Gate Threshold vs Temperature



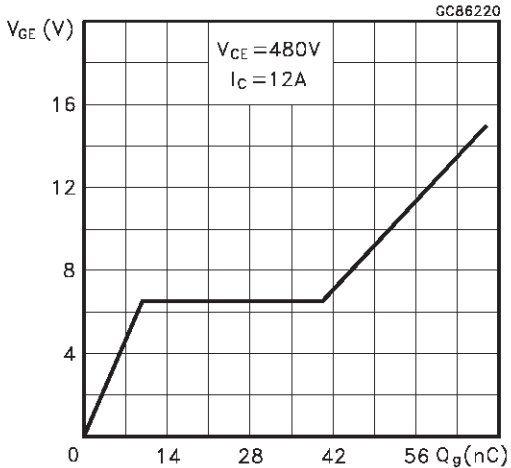
Normalized Breakdown Voltage vs Temperature



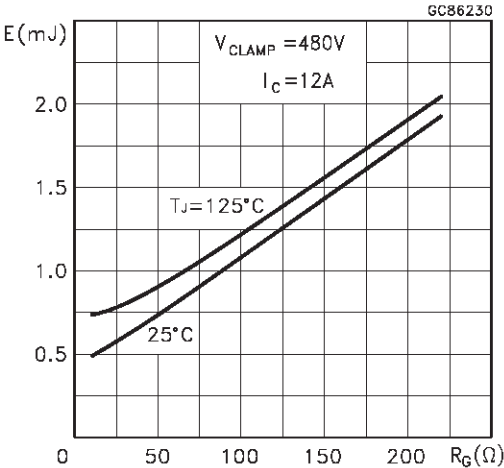
Capacitance Variations



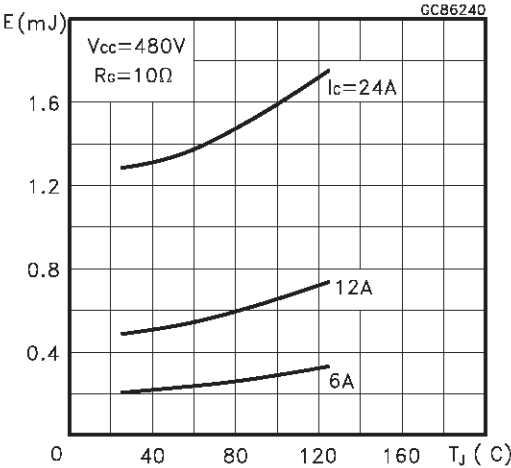
Gate Charge vs Gate-Emitter Voltage



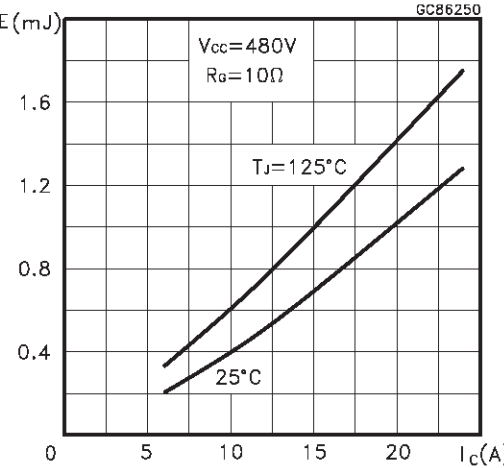
Total Switching Losses vs Gate Resistance



Total Switching Losses vs Temperature



Total Switching Losses vs Collector Current



Switching Off Safe Operating Area

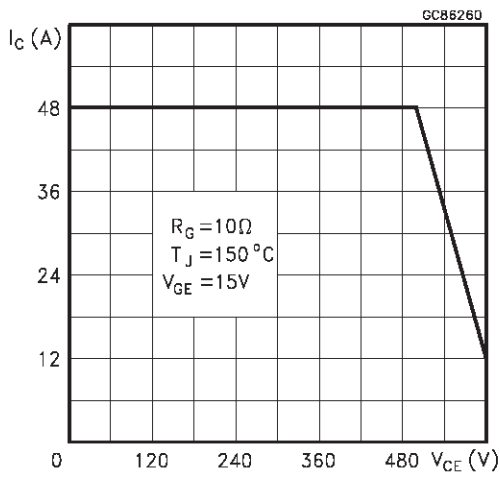


Fig. 1: Gate Charge test Circuit

Fig. 2: Test Circuit For Inductive Load Switching

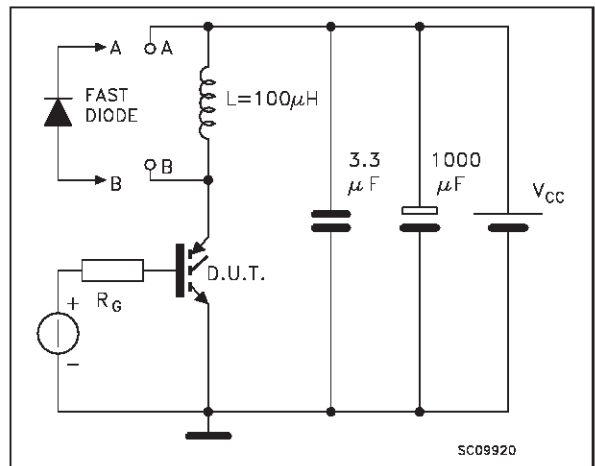
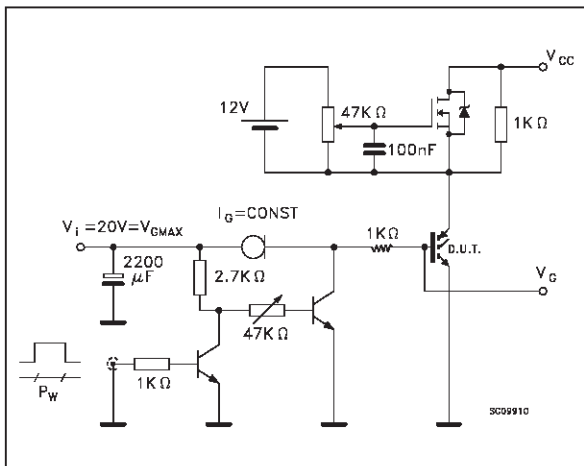
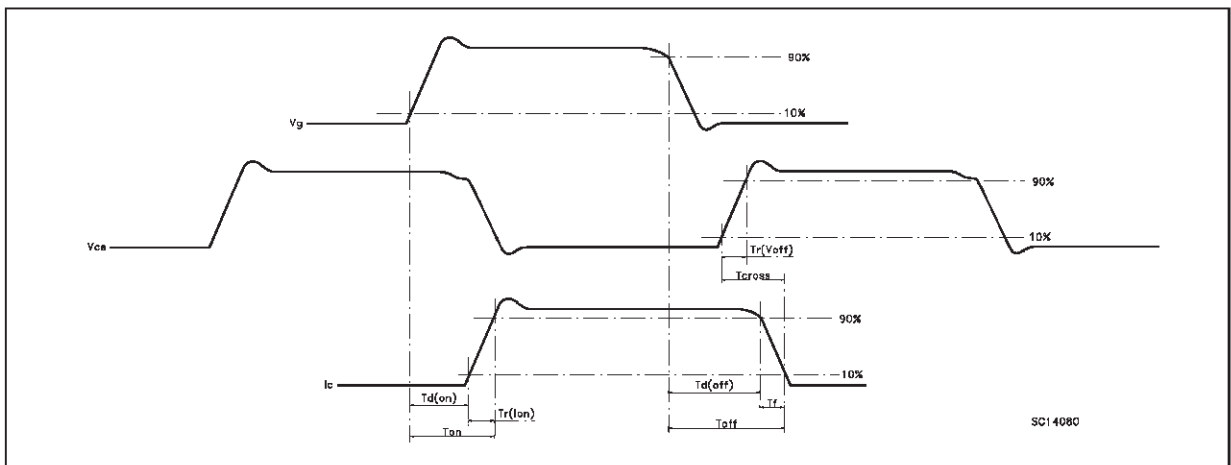
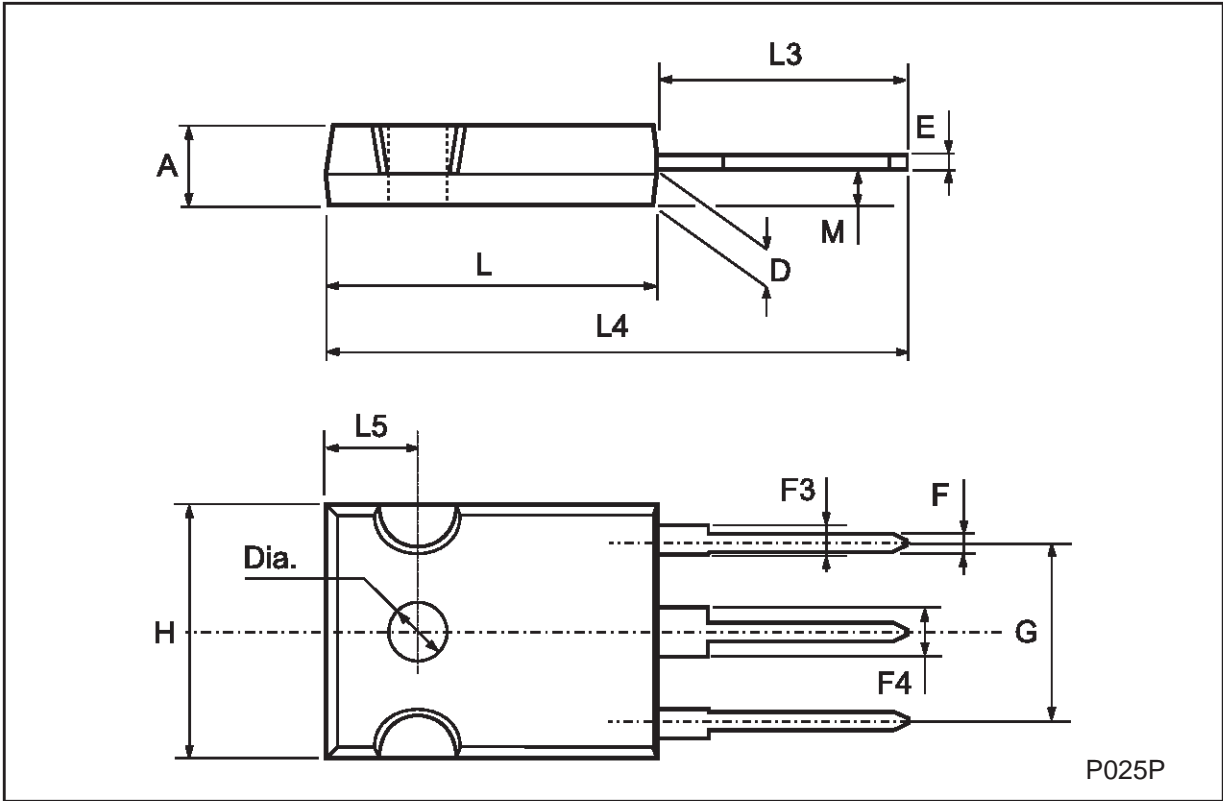


Fig. 3: Switching Waveforms



**TO-247 MECHANICAL DATA**

DIM.	mm			inch		
	MIN.	TYP.	MAX.	MIN.	TYP.	MAX.
A	4.7		5.3	0.185		0.209
D	2.2		2.6	0.087		0.102
E	0.4		0.8	0.016		0.031
F	1		1.4	0.039		0.055
F3	2		2.4	0.079		0.094
F4	3		3.4	0.118		0.134
G		10.9			0.429	
H	15.3		15.9	0.602		0.626
L	19.7		20.3	0.776		0.779
L3	14.2		14.8	0.559		0.582
L4		34.6			1.362	
L5		5.5			0.217	
M	2		3	0.079		0.118



Information furnished is believed to be accurate and reliable. However, STMicroelectronics assumes no responsibility for the consequences of use of such information nor for any infringement of patents or other rights of third parties which may result from its use. No license is granted by implication or otherwise under any patent or patent rights of STMicroelectronics. Specification mentioned in this publication are subject to change without notice. This publication supersedes and replaces all information previously supplied. STMicroelectronics products are not authorized for use as critical components in life support devices or systems without express written approval of STMicroelectronics.

The ST logo is a trademark of STMicroelectronics

© 1999 STMicroelectronics – Printed in Italy – All Rights Reserved  
STMicroelectronics GROUP OF COMPANIES

Australia - Brazil - China - Finland - France - Germany - Hong Kong - India - Italy - Japan - Malaysia - Malta - Morocco -  
Singapore - Spain - Sweden - Switzerland - United Kingdom - U.S.A.