



LM137/LM237 LM337

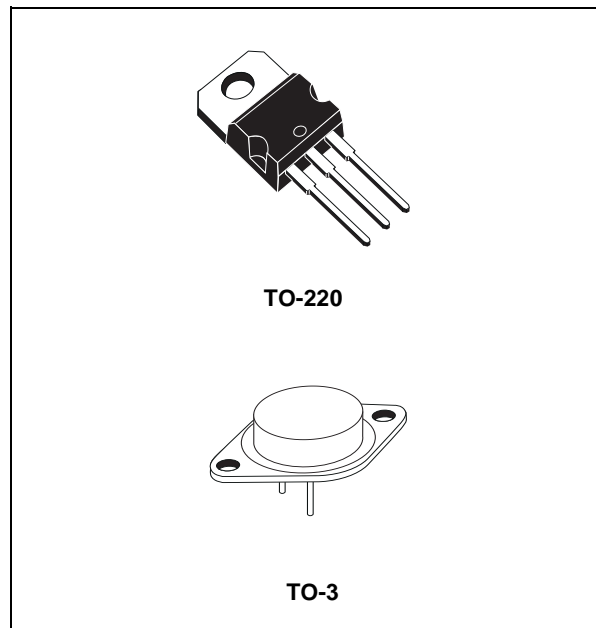
THREE-TERMINAL ADJUSTABLE NEGATIVE VOLTAGE REGULATORS

- OUTPUT VOLTAGE ADJUSTABLE DOWN TO V_{ref}
- 1.5A GUARANTEED OUTPUT CURRENT
- 0.3%/V TYPICAL LOAD REGULATION
- 0.01%/V TYPICAL LINE REGULATION
- CURRENT LIMIT CONSTANT WITH TEMPERATURE
- RIPPLE REJECTION: 77dB
- STANDARD 3-LEAD TRANSISTOR PACKAGES
- EXCELLENT THERMAL REGULATION: 0.002%/V
- 50ppm/°C TEMPERATURE COEFFICIENT

DESCRIPTION

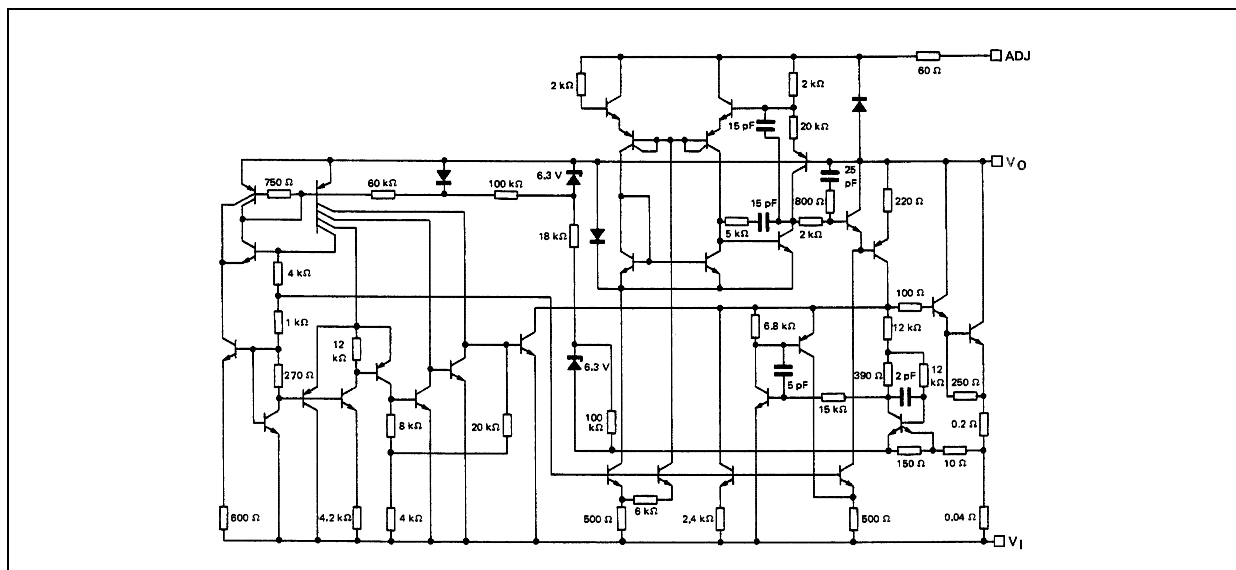
The LM137 series are adjustable 3-terminal negative voltage regulators capable of supplying in excess -1.5A over a -1.2 to -37V output voltage range.

They are exceptionally easy to use and require only two external resistors to set the output voltage. Further, both line and load regulation are better than standard fixed regulators. Also, LM137 regulators are supplied in standard transistor packages which are easily mounted and handled. In addition to higher performance than fixed regulators, the LM137 series offer full overload



protection available only in integrated circuits. Included on the chip are current limit, thermal overload protection and safe area protection. All overload protection circuitry remains fully functional even if the adjustment terminal is disconnected.

SCHEMATIC DIAGRAM



LM137-LM237-LM337

ABSOLUTE MAXIMUM RATINGS

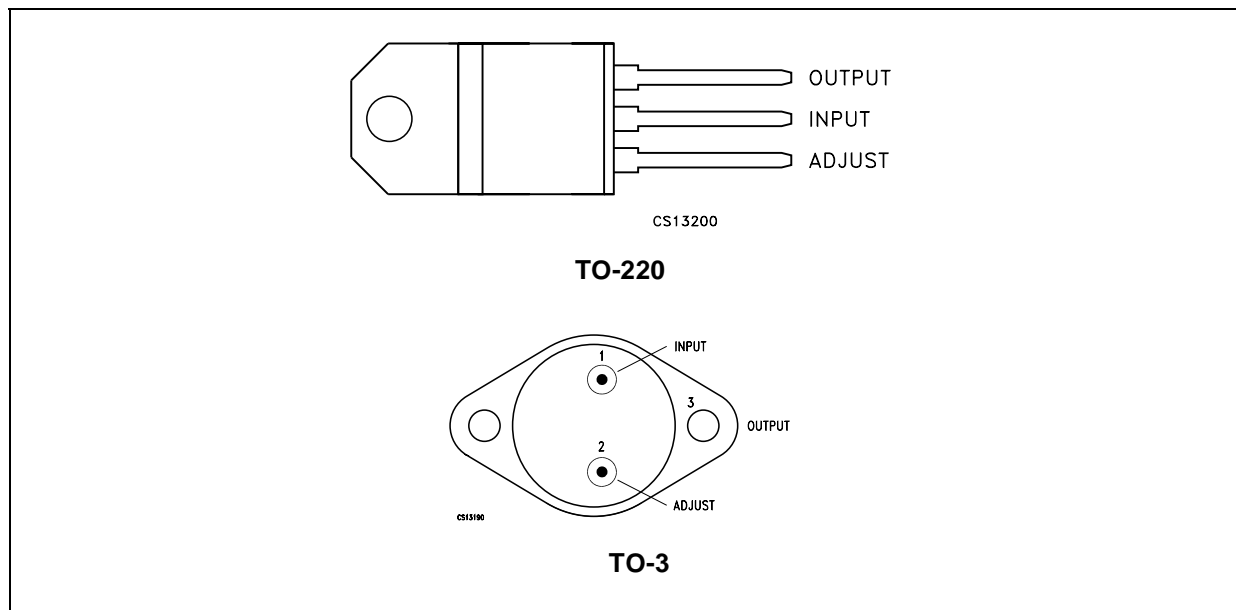
Symbol	Parameter	Value	Unit
$V_I - V_O$	Input Output Voltage Differential	40	V
I_O	Output Current	1.5	A
P_{tot}	Power Dissipation	Internally Limited	
T_{stg}	Storage Temperature Range	-65 to 150	°C
T_{oper}	Operating Junction Temperature Range	LM137	-55 to 150
		LM237	-25 to 125
		LM337	0 to 125

Absolute Maximum Ratings are those values beyond which damage to the device may occur. Functional operation under these condition is not implied.

THERMAL DATA

Symbol	Parameter		TO-220	TO-3	Unit
$R_{thj-case}$	Thermal Resistance Junction-case	Max	3	4	°C/W
$R_{thj-amb}$	Thermal Resistance Junction-ambient	Max	70	35	°C/W

CONNECTION DIAGRAM (top view)



ORDERING CODES

TYPE	TO-3	TO-220	TEMPERATURE RANGE
LM137	LM137K		-55°C to 150°C
LM237	LM237K	LM237SP	-25°C to 150°C
LM337	LM337K	LM337SP	0°C to 125°C

ELECTRICAL CHARACTERISTICS OF LM137/LM237 ($T_J = -55$ to 150°C for LM137,
 $T_J = -25$ to 150°C for LM237, $V_I - V_O = 5\text{V}$, $I_O = 0.5\text{A}$ unless otherwise specified).

Symbol	Parameter	Test Conditions	Min.	Typ.	Max.	Unit	
V_{ref}	Reference Voltage	$T_a = 25^\circ\text{C}$	-1.225	-1.25	-1.275	V	
		$ V_I - V_O = 3$ to 40V , $T_J = T_{\text{min}}$ to T_{max} $ I_O = 10\text{mA}$ to $ I_{O(\text{max})} $ $P \leq P_{\text{max}}$	-1.2	-1.25	-1.3		
K_{V_I}	Line Regulation (Note 2)	$T_a = 25^\circ\text{C}$		0.01	0.02	%V	
		$ V_I - V_O = 3$ to 40V	$I_O = 0.1\text{A}$				
K_{V_O}	Load Regulation (Note 2)	$T_a = 25^\circ\text{C}$		15	25	mV	
		$ I_O = 10\text{mA}$ to $ I_{O(\text{max})} $	$ V_O \leq 5\text{V}$				
	Thermal Regulation	$T_a = 25^\circ\text{C}$, pulse 10 ms		0.002	0.02	%/W	
I_{adj}	Adjustment Pin Current			65	100	μA	
ΔI_{adj}	Adjustment Pin Current Change	$T_a = 25^\circ\text{C}$, $ I_O = 10\text{mA}$ to $ I_{O(\text{max})} $ $ V_I - V_O = 3$ to 40V		2	5	μA	
K_{V_I}	Line Regulation (Note 2)	$ V_I - V_O = 3$ to 40V		0.02	0.05	%/V	
K_{V_O}	Load Regulation (Note 2)	$ I_O = 10\text{mA}$ to $ I_{O(\text{max})} $	$ V_O \leq 5\text{V}$		20	50	mV
			$ V_O \geq 5\text{V}$		0.3	1	%
$ I_{O(\text{min})} $	Minimum Load Current	$ V_I - V_O \leq 40\text{V}$		2.5	5	mA	
		$ V_I - V_O \leq 10\text{V}$		1.2	3		
I_{OS}	Short Circuit Output Current	$ V_I - V_O \leq 15\text{V}$	1.5	2.2		A	
		$ V_I - V_O = 40\text{V}$, $T_J = 25^\circ\text{C}$	0.24	0.4			
V_{NO}	RMS Output Noise (% of V_O)	$T_a = 25^\circ\text{C}$ $f = 10\text{Hz}$ to 10KHz		0.003		%	
R_{vf}	Ripple Rejection Ratio	$V_O = -10\text{V}$, $f = 120\text{Hz}$		60		dB	
		$C_{\text{adj}} = 10\mu\text{F}$	66	77			
K_{V_T}	Temperature Stability			0.6		%	
K_{V_H}	Long Term Stability	$T_a = 125^\circ\text{C}$, 1000 H		0.3	1	%	

- Notes: 1. Although power dissipation is internally limited, these specifications are applicable for power dissipation of:
15 W for TO-220 and 20 W for TO-3 Package; $I_{O(\text{max})}$ is : 1.5 A
2. Regulation is measured at constant junction temperature, using pulse testing with a low duty cycle. Changes in output voltage due to heating effects are covered under the specification for thermal regulation.

ELECTRICAL CHARACTERISTICS OF LM337 ($T_J = 0$ to 150°C unless otherwise specified).

Symbol	Parameter	Test Conditions	Min.	Typ.	Max.	Unit	
V_{ref}	Reference Voltage	$T_a = 25^\circ\text{C}$	-1.213	-1.25	-1.287	V	
		$ V_I - V_O = 3$ to 40 V, $T_J = T_{min}$ to T_{max} $ I_O = 10\text{mA}$ to $ I_{O(max)} $ $P \leq P_{max}$	-1.2	-1.25	-1.3		
K_{VI}	Line Regulation (Note 2)	$T_a = 25^\circ\text{C}$		0.01	0.04	%V	
		$ V_I - V_O = 3$ to 40 V	$I_O = 0.1$ A $I_O = 20$ mA		0.01		0.04
K_{VO}	Load Regulation (Note 2)	$T_a = 25^\circ\text{C}$		15	50	mV	
		$ I_O = 10\text{mA}$ to $ I_{O(max)} $	$ V_O \leq 5$ V $ V_O \geq 5$ V		0.3	1	%
	Thermal Regulation	$T_a = 25^\circ\text{C}$, pulse 10 ms		0.003	0.04	%/W	
I_{adj}	Adjustment Pin Current			65	100	μA	
ΔI_{adj}	Adjustment Pin Current Change	$T_a = 25^\circ\text{C}$, $ I_O = 10$ mA to $ I_{O(max)} $ $ V_I - V_O = 3$ to 40 V		2	5	μA	
K_{VI}	Line Regulation (Note 2)	$ V_I - V_O = 3$ to 40 V		0.02	0.07	%/V	
K_{VO}	Load Regulation (Note 2)	$ I_O = 10\text{mA}$ to $ I_{O(max)} $	$ V_O \leq 5$ V		20	70	mV
			$ V_O \geq 5$ V		0.3	1.5	%
$ I_{O(min)} $	Minimum Load Current	$ V_I - V_O \leq 40$ V		2.5	10	mA	
		$ V_I - V_O \leq 10$ V		1.5	6		
I_{OS}	Short Circuit Output Current	$ V_I - V_O \leq 15$ V	1.5	2.2		A	
		$ V_I - V_O = 40$ V, $T_J = 25^\circ\text{C}$	0.15	0.4			
V_{NO}	RMS Output Noise (% of V_O)	$T_a = 25^\circ\text{C}$ $f = 10$ Hz to 10 KHz		0.003		%	
R_{vf}	Ripple Rejection Ratio	$V_O = -10$ V, $f = 120$ Hz		60		dB	
		$C_{adj} = 10$ μF	66	77			
K_{VT}	Temperature Stability			0.6		%	
K_{VH}	Long Term Stability	$T_a = 125^\circ\text{C}$, 1000 H		0.3	1	%	

- Notes: 1. Although power dissipation is internally limited, these specifications are applicable for power dissipation of: 15 W for TO-220 and 20 W for TO-3 Package; $I_{O(max)}$ is : 1.5 A
 2. Regulation is measured at constant junction temperature, using pulse testing with a low duty cycle. Changes in output voltage due to heating effects are covered under the specification for thermal regulation.

Figure 1 : Load Regulation

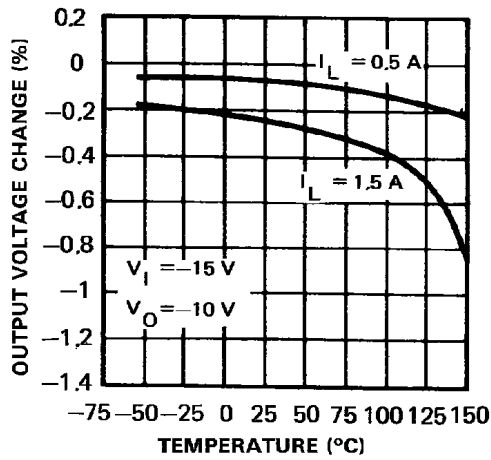


Figure 4 : Dropout Voltage

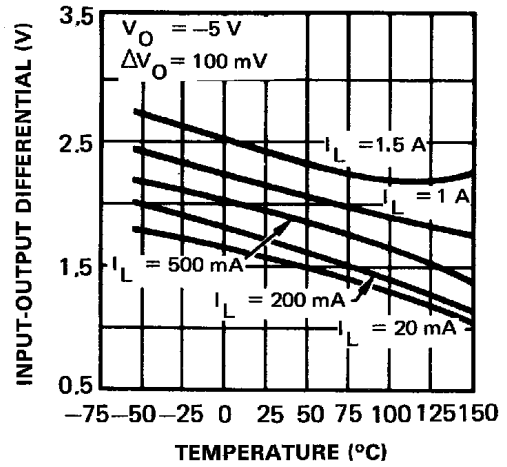


Figure 2 : Current Limit

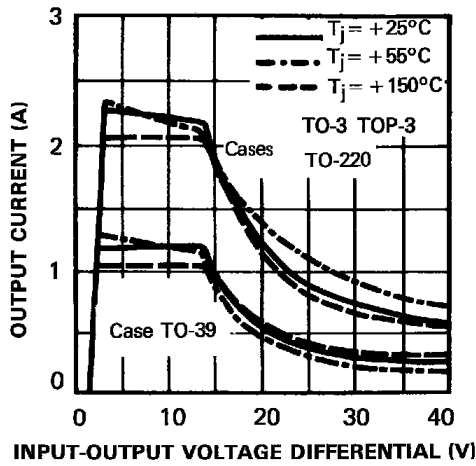


Figure 5 : Temperature Stability

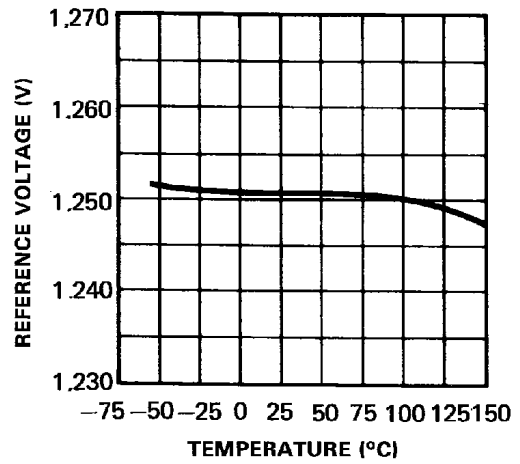


Figure 3 : Adjustment Current

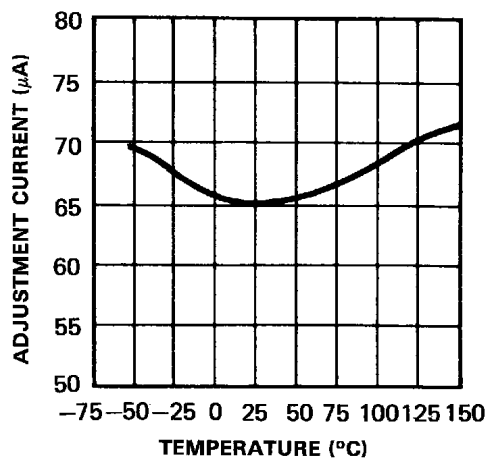


Figure 6 : Minimum Operating Current

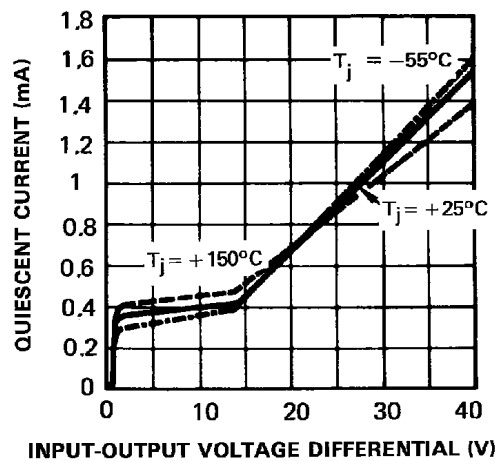


Figure 7 : Ripple Rejection Versus Output Voltage

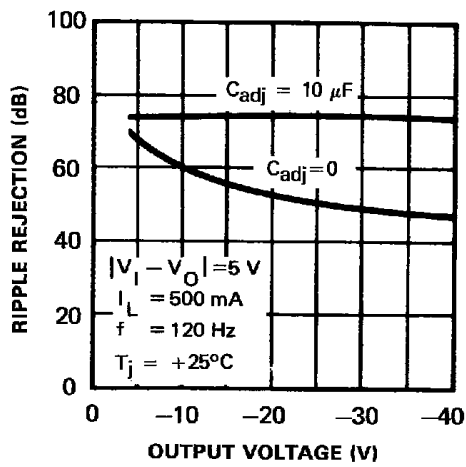


Figure 10 : Output Impedance

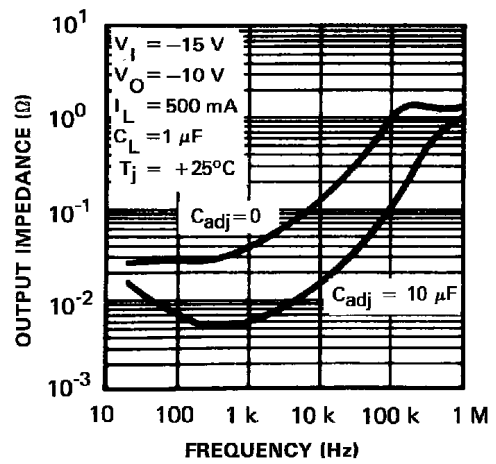


Figure 8 : Ripple Rejection Versus Frequency

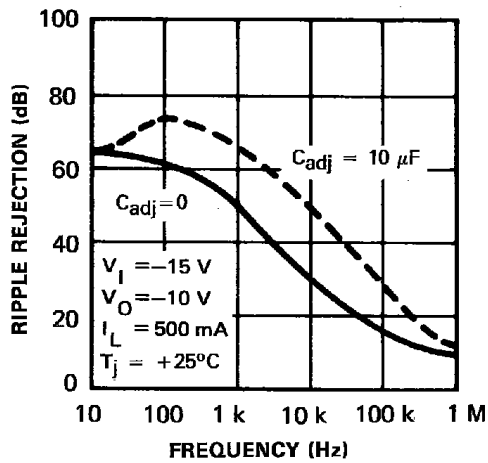


Figure 11 : Line Transient Response

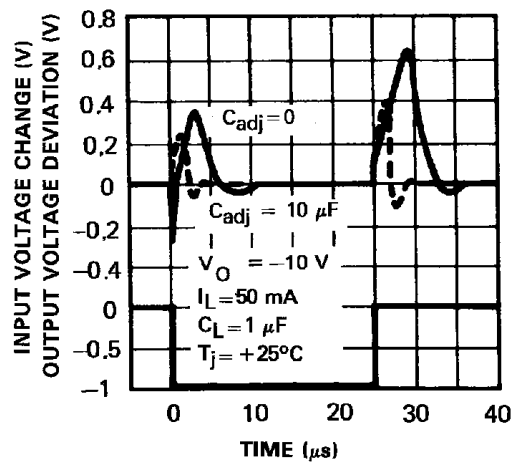


Figure 9 : Ripple Rejection Versus Output Current

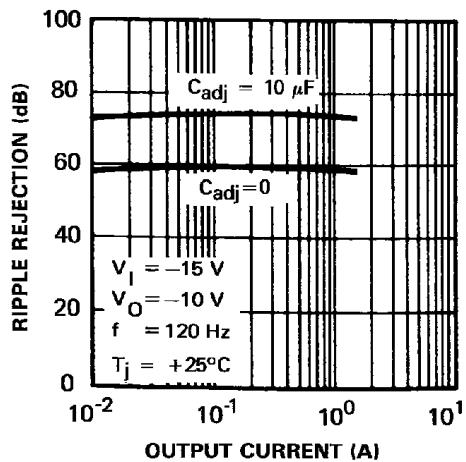
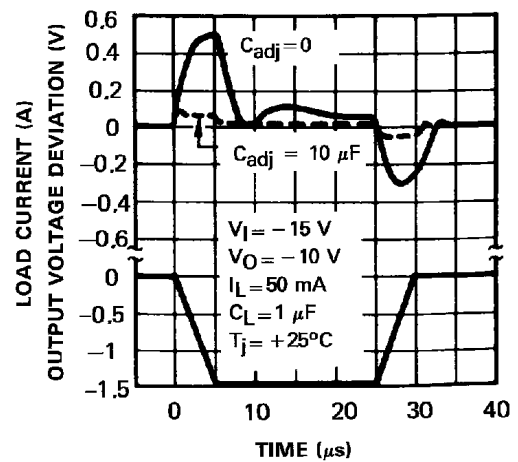


Figure 12 : Load Transient Response



THERMAL REGULATION

When power is dissipated in an IC, a temperature gradient occurs across the IC chip affecting the individual IC circuit components. With an IC regulator, this gradient can be especially severe since power dissipation is large.

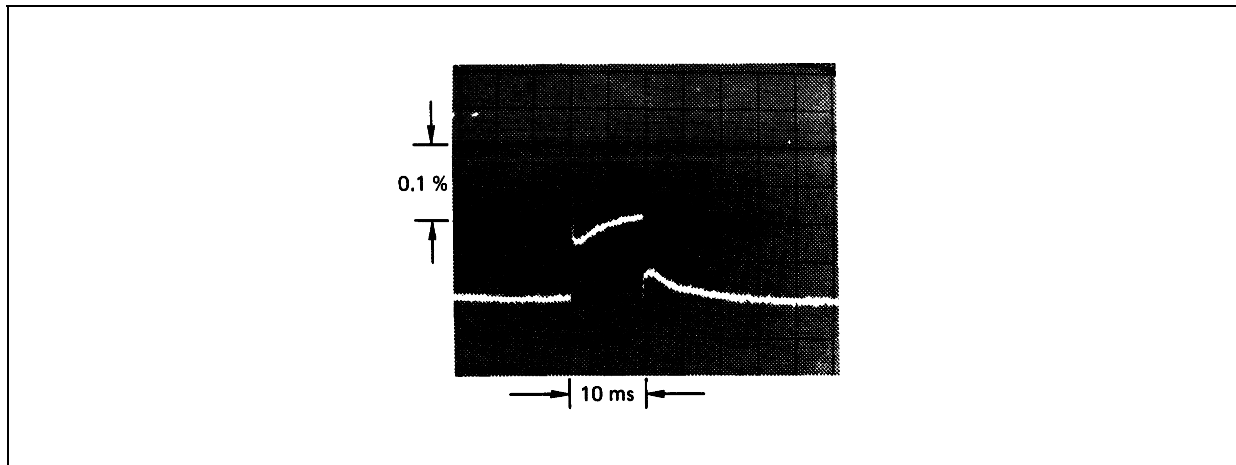
Thermal regulation is the effect of these temperature gradients on output voltage (in percentage output change) per watt of power change in a specified time. Thermal regulation error is independent of electrical regulation or temperature coefficient, and occurs within 5ms to 50ms after a change in power dissipation. Thermal regulation depends on IC layout as well as electrical design. The thermal regulation of a voltage regulator is defined as the percentage

change of V_O , per watt, within the first 10ms after a step of power, is applied.

The LM137 specification is 0.02%/W max. In figure 1, a typical LM337's output drifts only 3mV for 0.03% of $V_O = -10V$) when a 10W pulse is applied for 10ms. This performance is thus well inside the specification limit of $0.02\%/W \times 10W = 0.2\%$ max. When the 10W pulse is ended the thermal regulation again shows a 3mV step as the LM137 chip cools off. Note that the load regulation error of about 8mV(0.08%) is additional to the thermal regulation error.

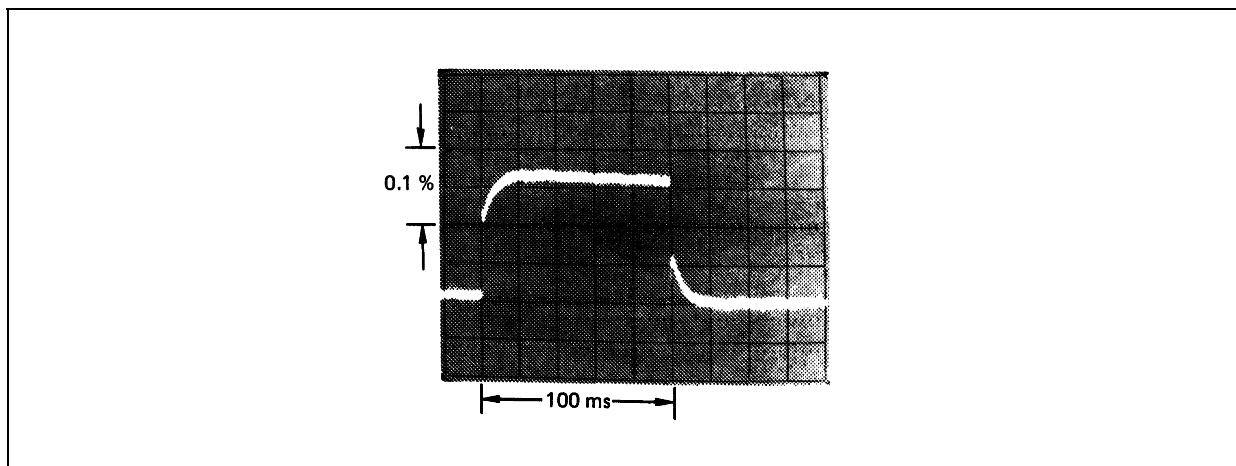
In figure 2, when the 10W pulse is applied for 100ms, the output drifts only slightly beyond the drift in the first 10ms and the thermal error stays well within 0.1% (10mV).

Figure 13 : TYPICAL OUTPUT DRIFT



LM337, $V_O = -10V$, $V_I - V_O = -40V$, $I_L = 0A \rightarrow 0.25A \rightarrow 0A$. Vertical sensitivity 5mV/div.

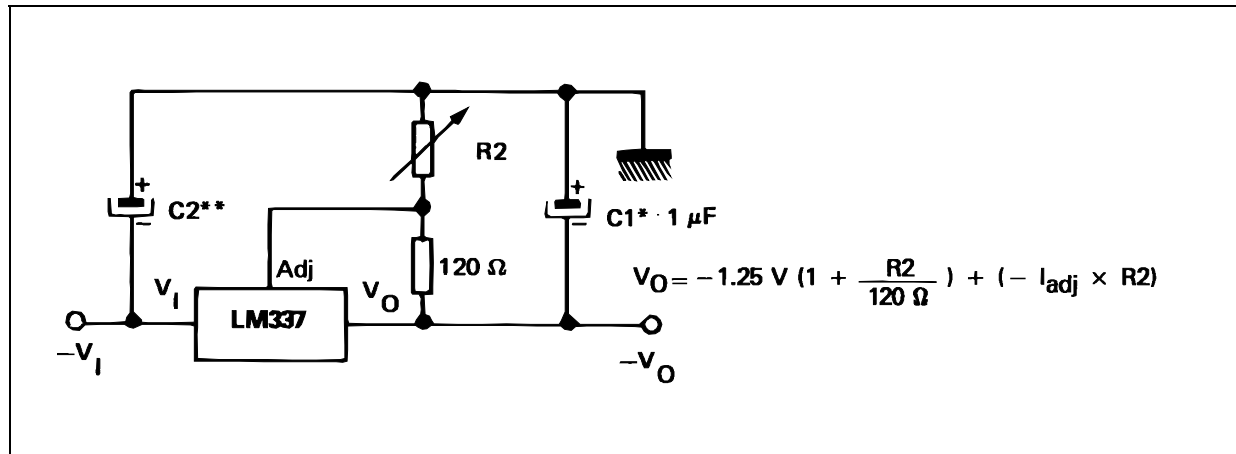
Figure 14 : TYPICAL OUTPUT DRIFT



LM337, $V_O = -10V$, $V_I - V_O = -40V$, $I_L = 0A \rightarrow 0.25A \rightarrow 0A$. Horizontal sensitivity 5ms/div.

TYPICAL APPLICATIONS

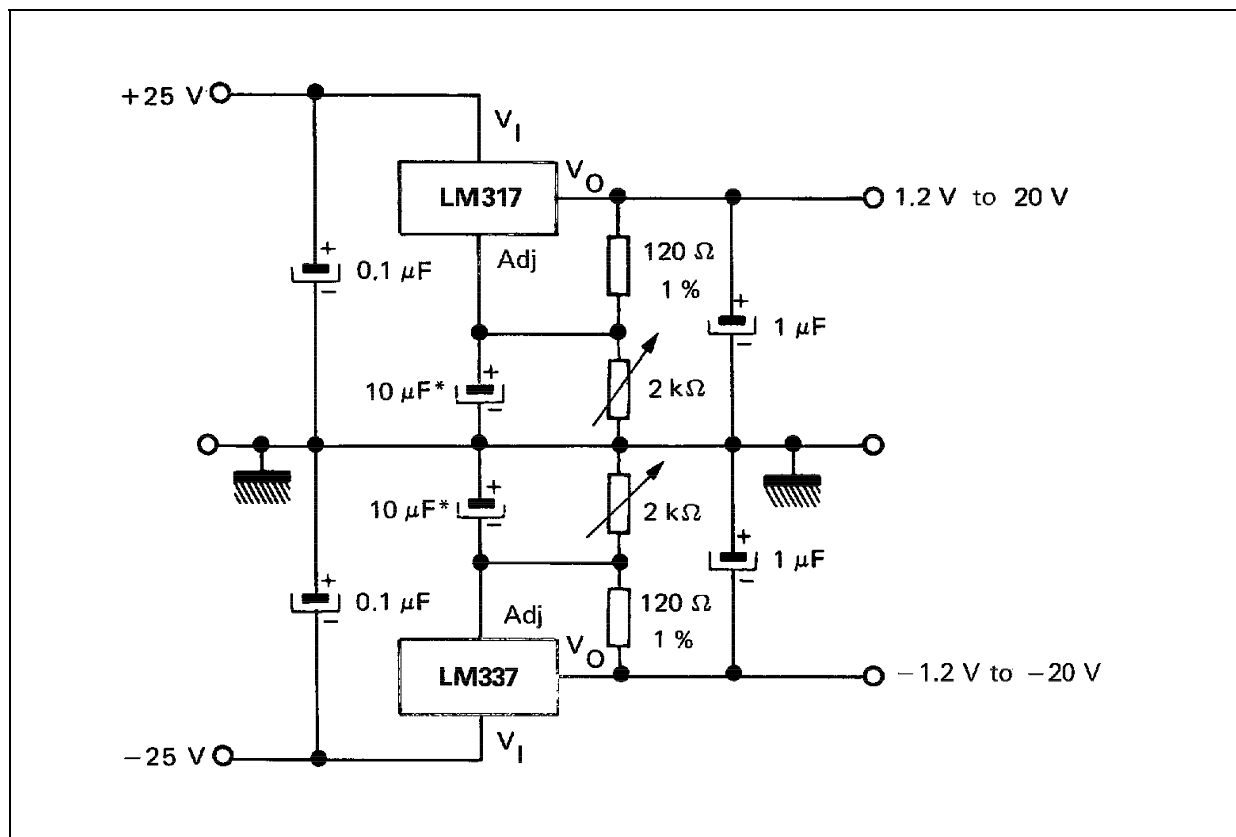
ADJUSTABLE NEGATIVE VOLTAGE REGULATOR



* C1 = 1 μF solid tantalum or 10 μF aluminium electrolytic required for stability.

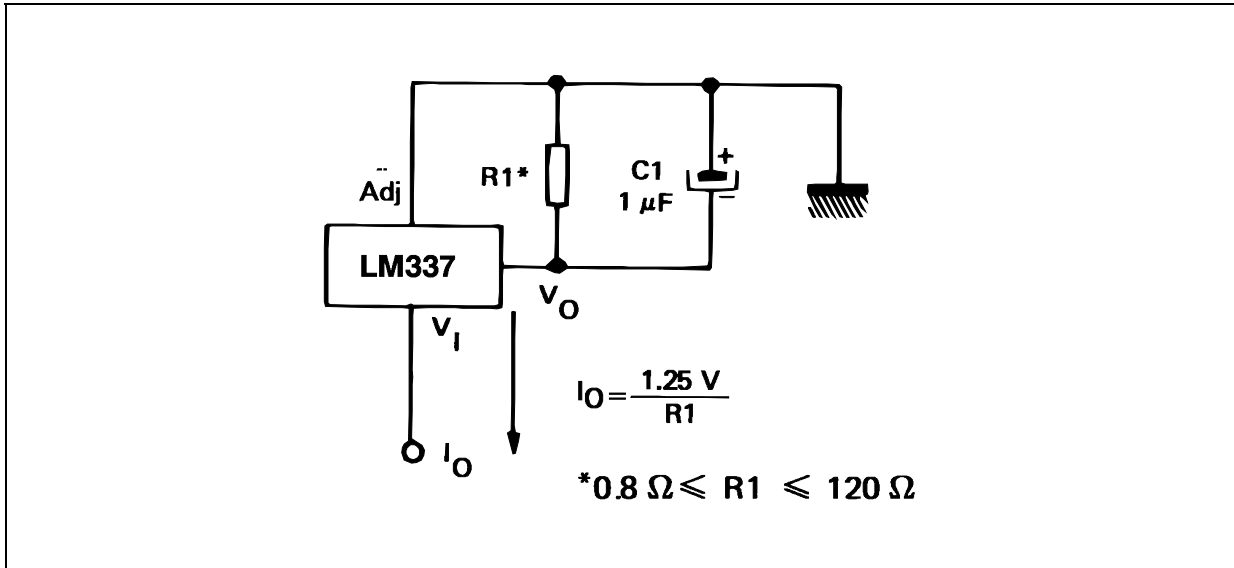
** C2 = 1 μF solid tantalum is required only if regulator is more than 10 cm from power supply filter capacitors

ADJUSTABLE LAB VOLTAGE REGULATOR

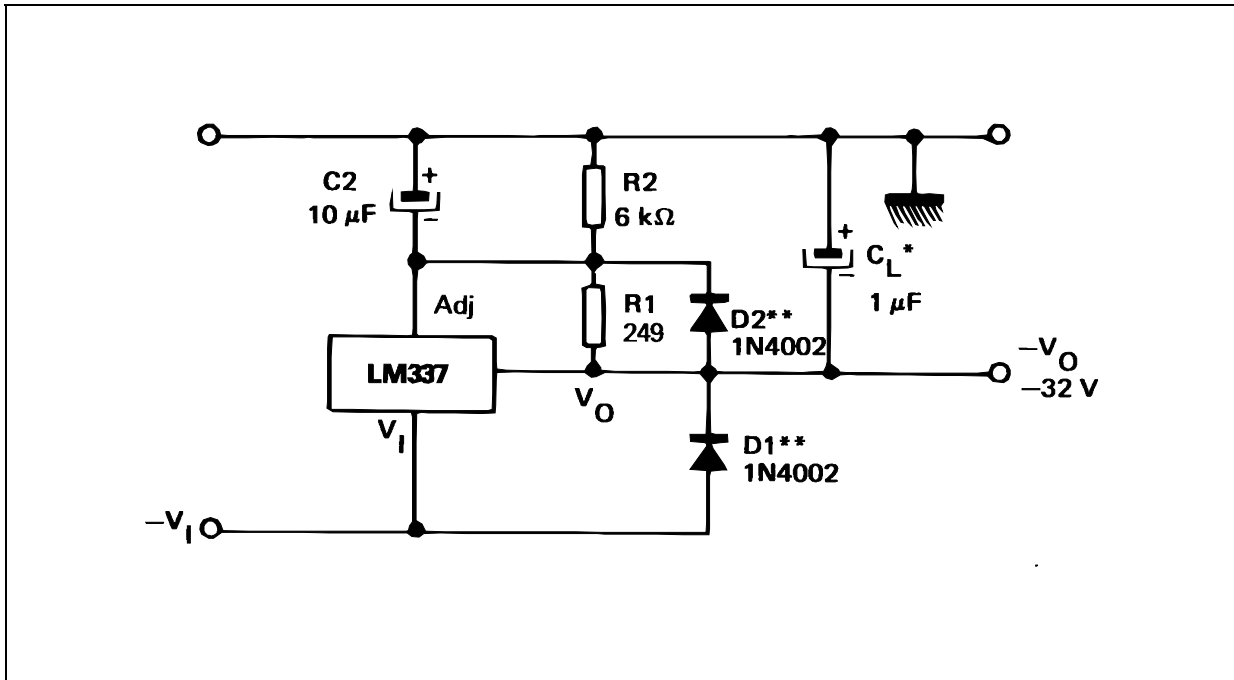


* The 10 μF capacitors are optimal to improve ripple rejection.

CURRENT REGULATOR



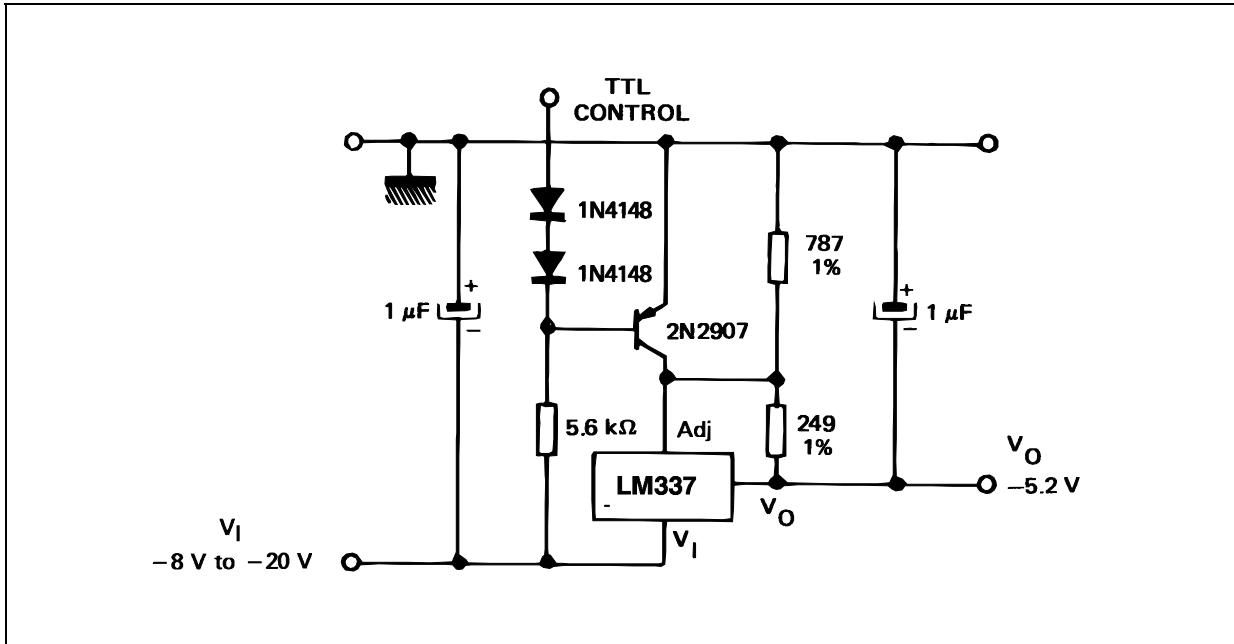
NEGATIVE REGULATOR WITH PROTECTION DIODES



* When C_L is larger than $20 \mu\text{F}$, D_1 protects the LM137 in case the input supply is shorted.

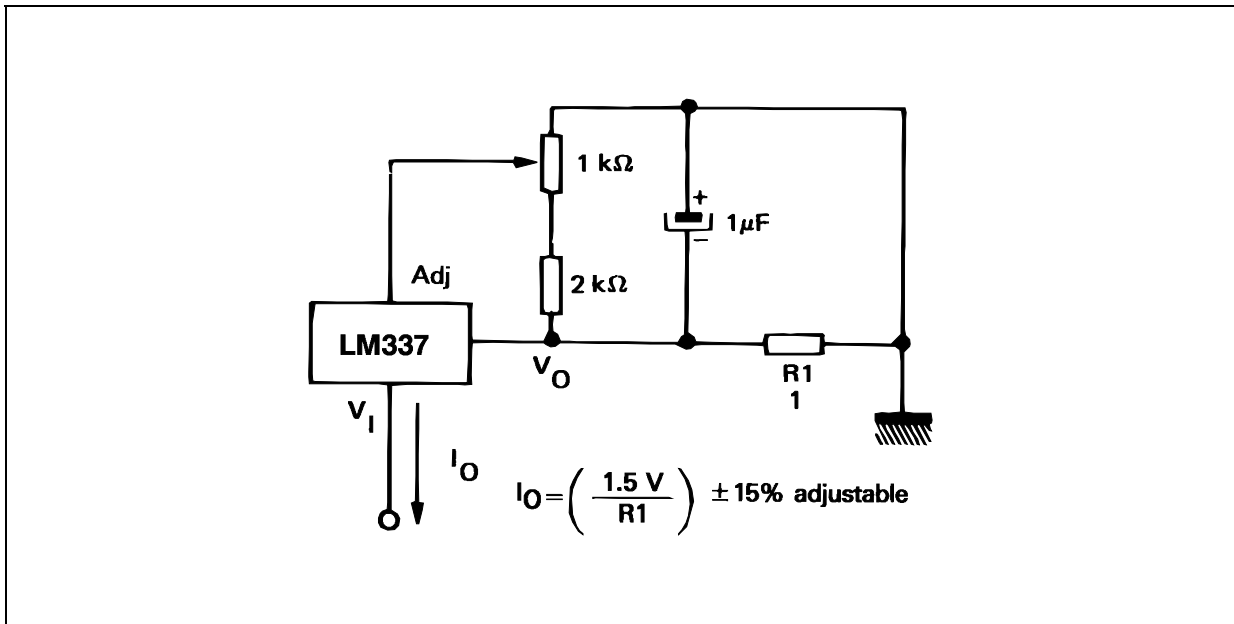
** When C_2 is larger than $10 \mu\text{F}$ and V_O is larger than -25V , D_2 protects the LM137 in case the output is shorted.

* - 5.2V REGULATOR WITH ELECTRONIC SHUTDOWN



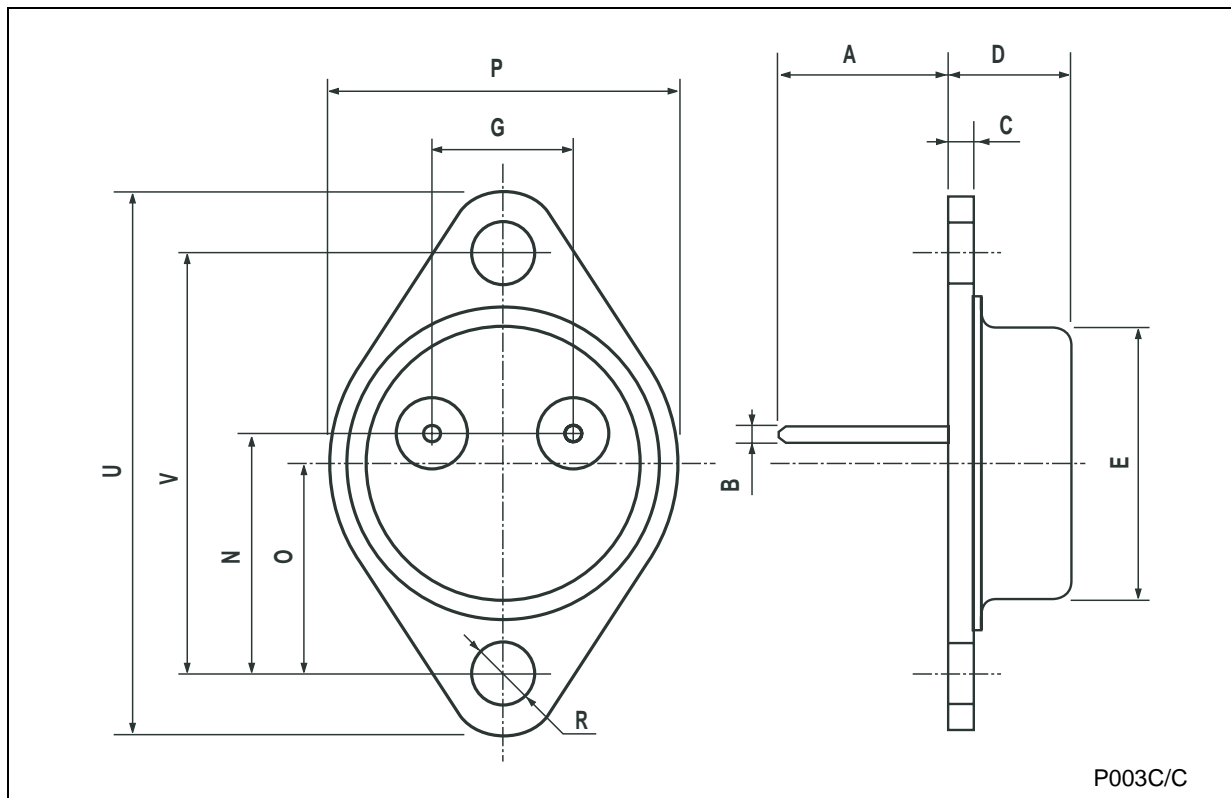
* Minimum output = - 1.3V when control input is low.

CURRENT REGULATOR



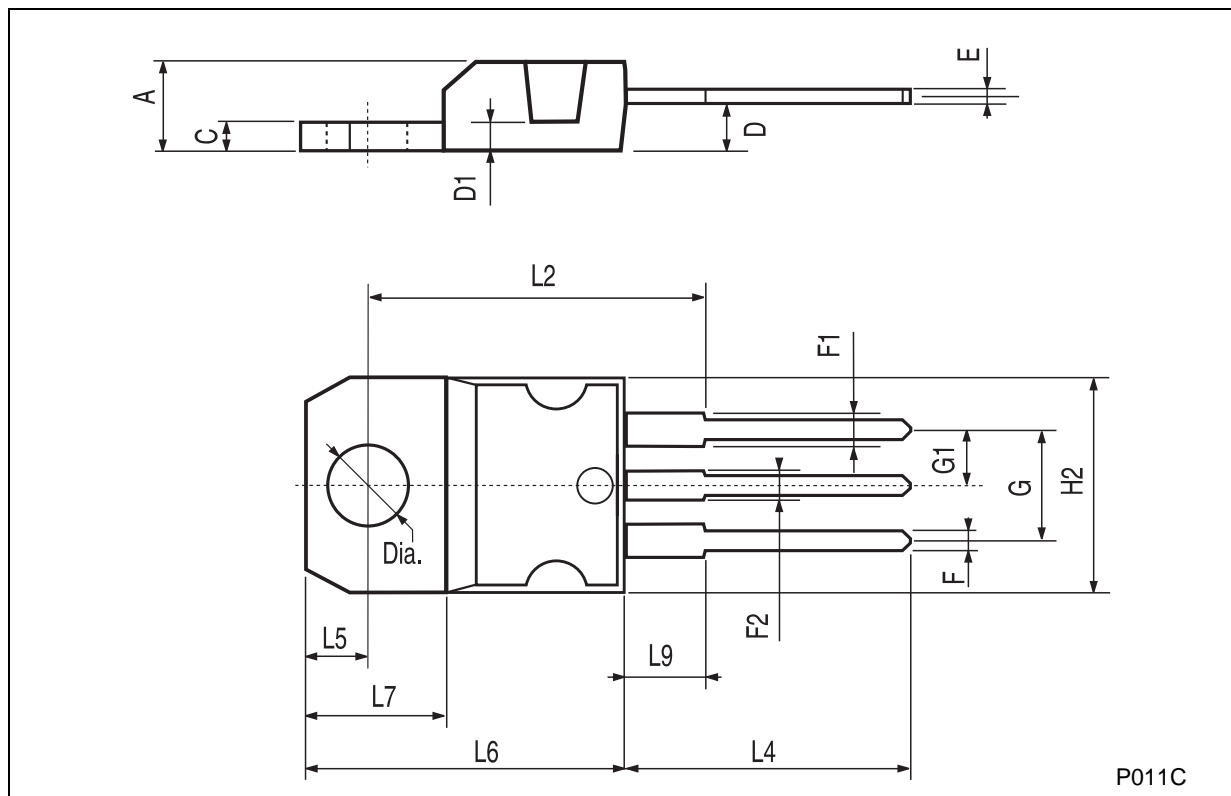
TO-3 MECHANICAL DATA

DIM.	mm.			inch		
	MIN.	TYP	MAX.	MIN.	TYP.	MAX.
A		11.85			0.466	
B	0.96	1.05	1.10	0.037	0.041	0.043
C			1.70			0.066
D			8.7			0.342
E			20.0			0.787
G		10.9			0.429	
N		16.9			0.665	
P			26.2			1.031
R	3.88		4.09	0.152		0.161
U			39.5			1.555
V		30.10			1.185	



TO-220 MECHANICAL DATA

DIM.	mm.			inch		
	MIN.	TYP	MAX.	MIN.	TYP.	MAX.
A	4.40		4.60	0.173		0.181
C	1.23		1.32	0.048		0.051
D	2.40		2.72	0.094		0.107
D1		1.27			0.050	
E	0.49		0.70	0.019		0.027
F	0.61		0.88	0.024		0.034
F1	1.14		1.70	0.044		0.067
F2	1.14		1.70	0.044		0.067
G	4.95		5.15	0.194		0.203
G1	2.4		2.7	0.094		0.106
H2	10.0		10.40	0.393		0.409
L2		16.4			0.645	
L4	13.0		14.0	0.511		0.551
L5	2.65		2.95	0.104		0.116
L6	15.25		15.75	0.600		0.620
L7	6.2		6.6	0.244		0.260
L9	3.5		3.93	0.137		0.154
DIA.	3.75		3.85	0.147		0.151



P011C

Information furnished is believed to be accurate and reliable. However, STMicroelectronics assumes no responsibility for the consequences of use of such information nor for any infringement of patents or other rights of third parties which may result from its use. No license is granted by implication or otherwise under any patent or patent rights of STMicroelectronics. Specifications mentioned in this publication are subject to change without notice. This publication supersedes and replaces all information previously supplied. STMicroelectronics products are not authorized for use as critical components in life support devices or systems without express written approval of STMicroelectronics.

© The ST logo is a registered trademark of STMicroelectronics

© 2003 STMicroelectronics - Printed in Italy - All Rights Reserved
STMicroelectronics GROUP OF COMPANIES

Australia - Brazil - Canada - China - Finland - France - Germany - Hong Kong - India - Israel - Italy - Japan - Malaysia - Malta - Morocco
Singapore - Spain - Sweden - Switzerland - United Kingdom - United States.

© <http://www.st.com>

