

650nm Index-Guided Red Laser Diode

Description

The SLD1137VS is an index-guided red laser diode for BCS.

Operating current is 25mA lower than SLD1133VS.

Features

- Small astigmatism (7μm typ.)
- Low operating current (35mA typ.)
- Small package (φ5.6mm)
- Single longitudinal mode

Applications

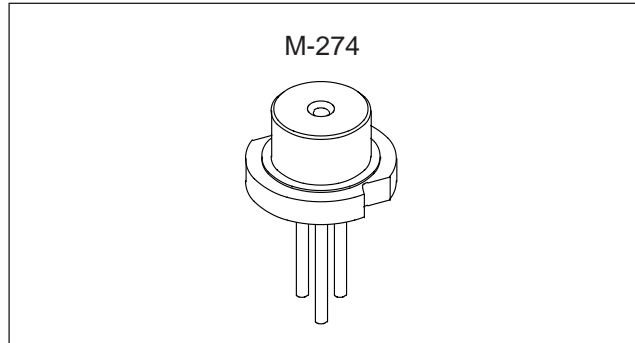
Bar code scanner

Structure

- AlGaInP MQW laser diode
- PIN photodiode to monitor laser beam output

Recommend Optical Power Output

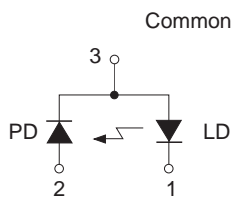
5mW



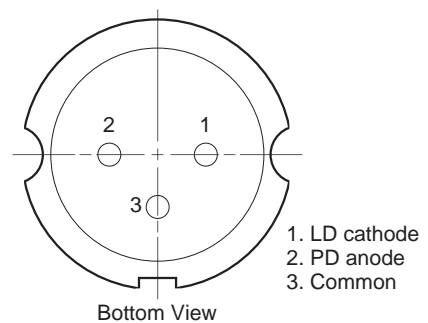
Absolute Maximum Ratings (Tc = 25°C)

- Optical power output Po 7 mW
- Reverse voltage VR LD 2 V
- PD 15 V
- Operating temperature Topr -10 to +60 °C
- Storage temperature Tstg -40 to +85 °C

Connection Diagram



Pin Configuration



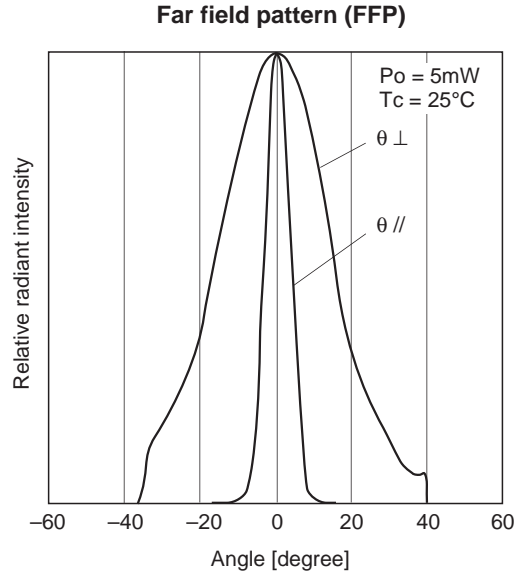
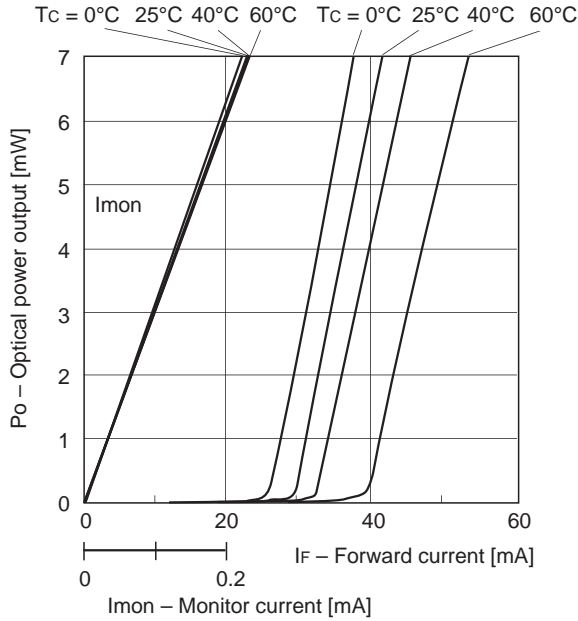
Sony reserves the right to change products and specifications without prior notice. This information does not convey any license by any implication or otherwise under any patents or other right. Application circuits shown, if any, are typical examples illustrating the operation of the devices. Sony cannot assume responsibility for any problems arising out of the use of these circuits.

Electrical and Optical Characteristics (T_c = 25°C)T_c: Case temperature

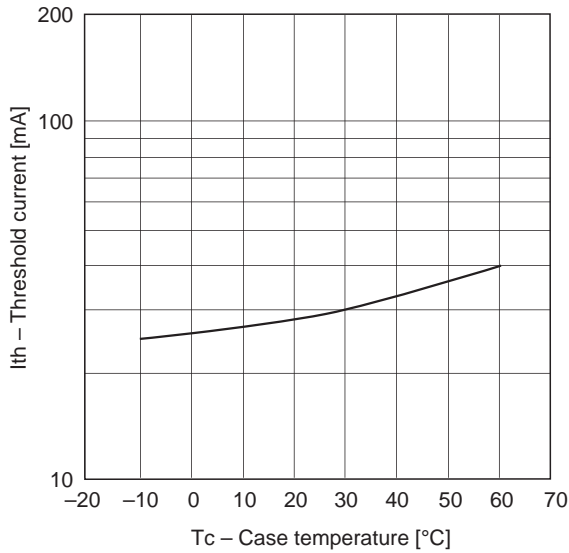
Item	Symbol	Conditions	Min.	Typ.	Max.	Unit	
Threshold current	I _{th}			30	40	mA	
Operating current	I _{op}	P _o = 5mW		35	45	mA	
Operating voltage	V _{op}	P _o = 5mW		2.2	2.7	V	
Wavelength	λ _p	P _o = 5mW		650	655	nm	
Radiation angle	Perpendicular	θ _⊥	P _o = 5mW	24	30	40	degree
	Parallel	θ _{//}		6	8	12	degree
Positional accuracy	Position	ΔX, ΔY, ΔZ	P _o = 5mW			±80	μm
	Angle	Δφ _{//}				±3	degree
		Δφ _⊥				±3	degree
Differential efficiency	η _D	P _o = 5mW	0.3	0.5	0.8	mW/mA	
Astigmatism	A _s	P _o = 5mW		7	15	μm	
Monitor current	I _{mon}	P _o = 5mW, V _R = 5V	0.05	0.1	0.5	mA	

Example of Representative Characteristics

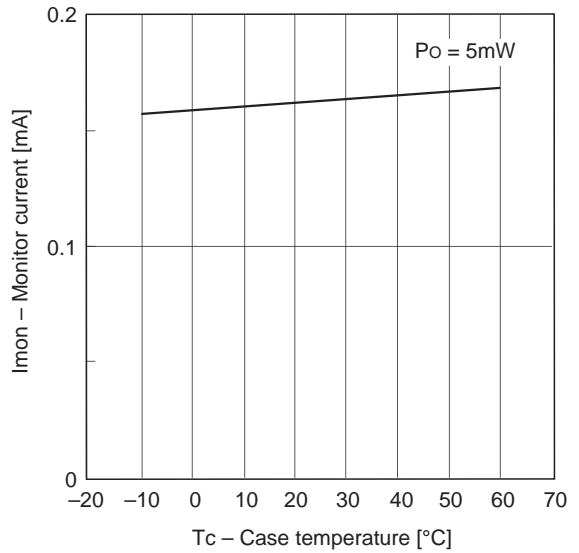
Optical power output vs. Forward current characteristics
Optical power output vs. Monitor current characteristics



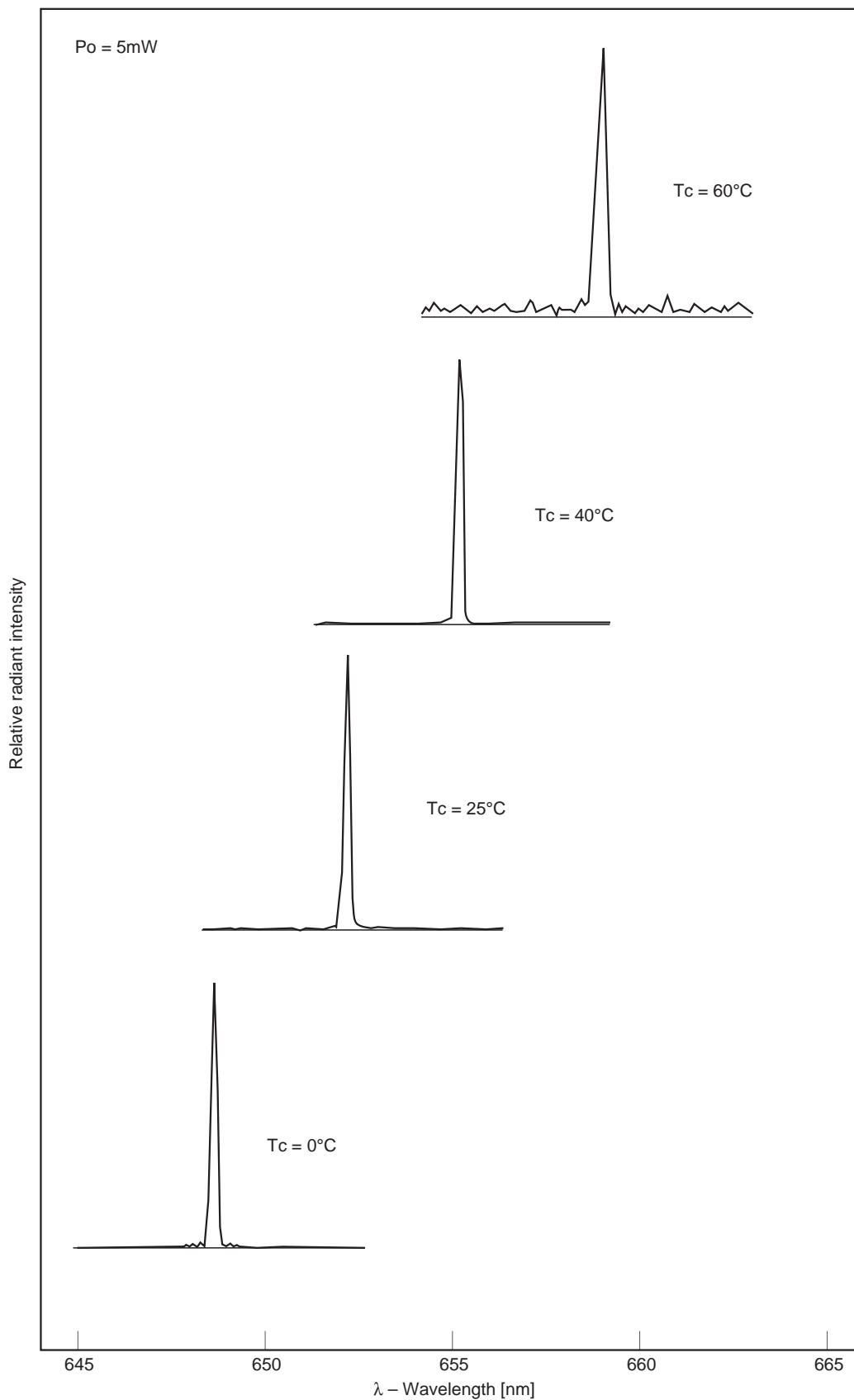
Threshold current vs. Temperature characteristics

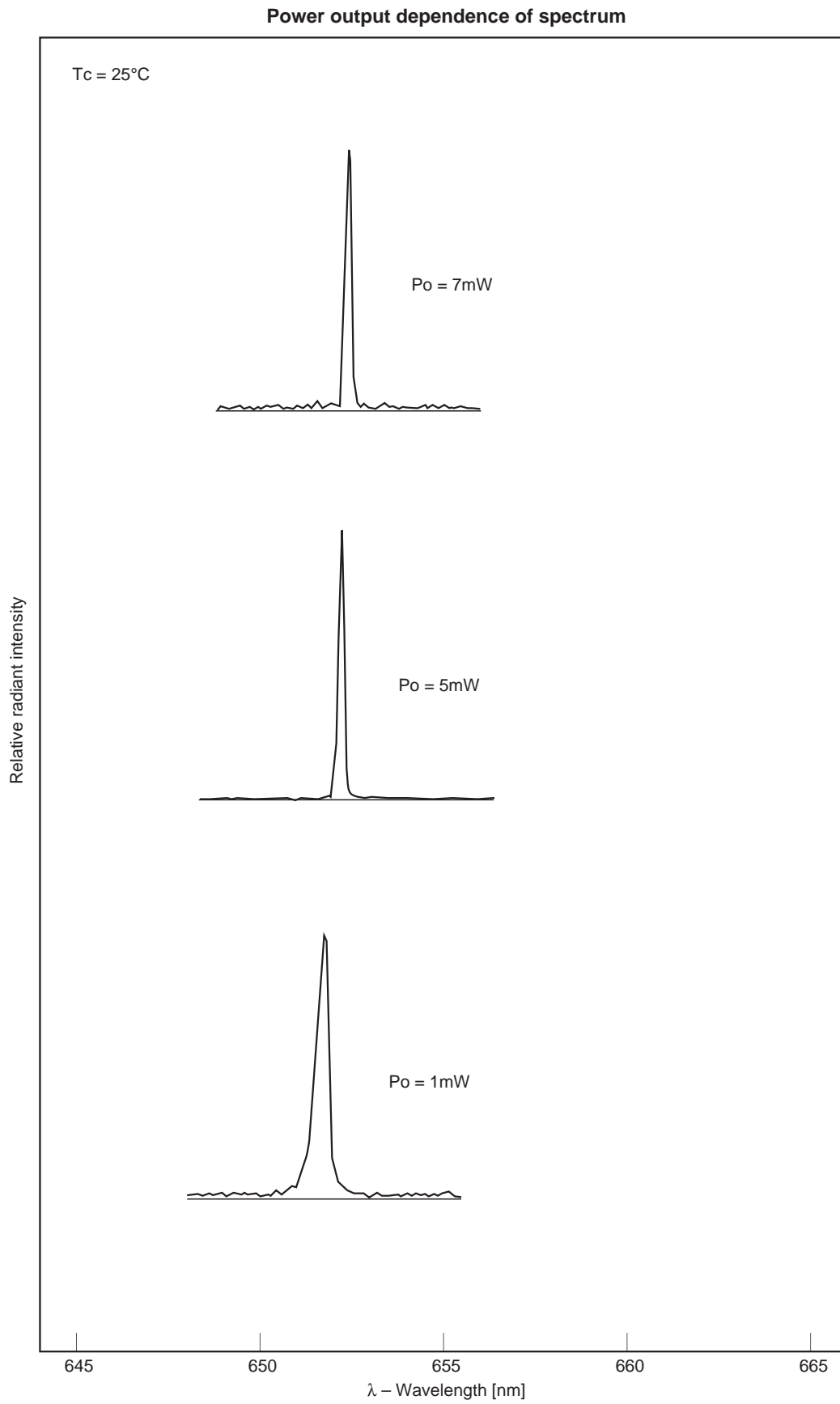


Monitor current vs. Temperature characteristics



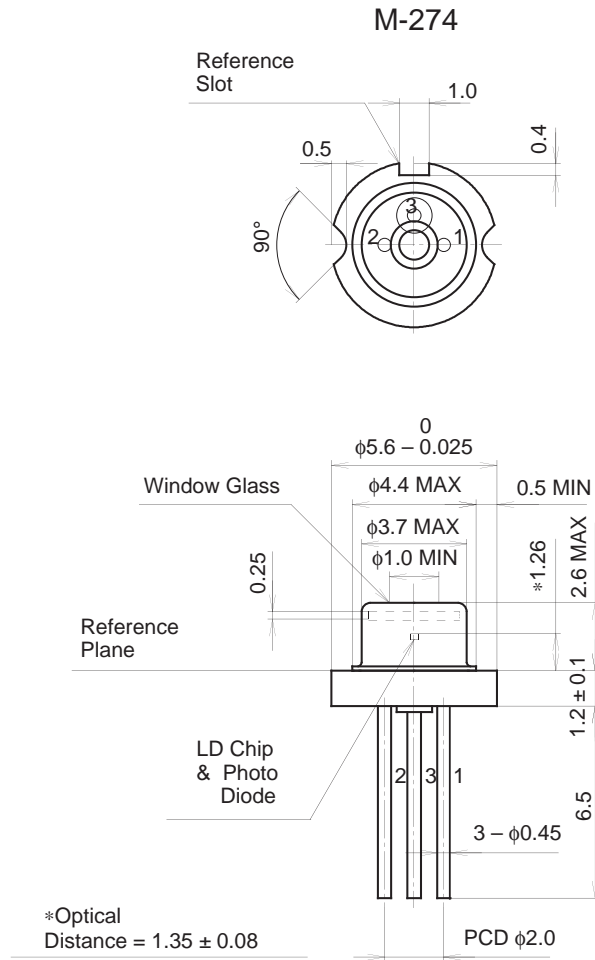
Temperature dependence of spectrum





Package Outline

Unit: mm



SONY CODE	M-274
EIAJ CODE	_____
JEDEC CODE	_____

PACKAGE WEIGHT	0.3g
----------------	------