

EPI AC2 Series



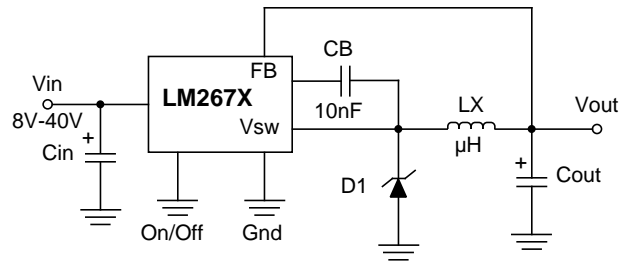
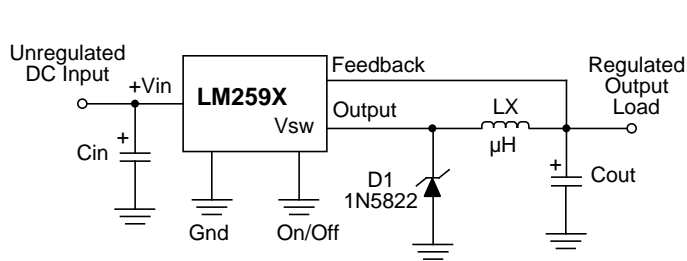
- Optimized for National's LM267X & LM259X Series
- Low loss material ensures operation in high frequency switching converters, such as Buck, Boost or as output averaging filter inductor
- Also suitable for use in high quality filter applications
- 150 KHz & 260 KHz Switching Frequency
- Low Cost Inductor

Primary Specification

| Part Number | National Semiconductor Chip | Induct. ($\mu\text{H} \pm 15\%$) @ 0 Adc | DCR (Typ.) | Induct. ($\mu\text{H} 10\%$) @ Idc | Idc (mA) | Core Loss | | Vt1 (V- μSec) 150 KHz | Vt2 (V- μSec) 260 KHz | Temp.Rise | |
|--------------|-----------------------------|--|------------|--------------------------------------|----------|--------------|------------|-----------------------------------|-----------------------------------|---------------------------------|---------------------------------|
| | | | | | | @ Vt1 (mW) | @ Vt2 (mW) | | | @ Vt1 $^{\circ}\text{C}$ (Typ.) | @ Vt2 $^{\circ}\text{C}$ (Typ.) |
| EPI100502AC2 | LM267X-L47 | 12.8 | 0.012 | 10 | 5000 | --- | 275 | --- | 15.4 | --- | 36 |
| EPI150502AC2 | LM267X-L46 | 20 | 0.019 | 15 | 5000 | --- | 275 | --- | 19.3 | --- | 45 |
| EPI220302AC2 | LM259X-L41 | 27 | 0.046 | 22 | 3000 | 105 | --- | 20.0 | --- | 33 | --- |
| EPI470302AC2 | | 64.8 | 0.055 | 47 | 3000 | 330 @ 52 KHz | | 90 @ 52 KHz | | 49 @ 52 KHz | |

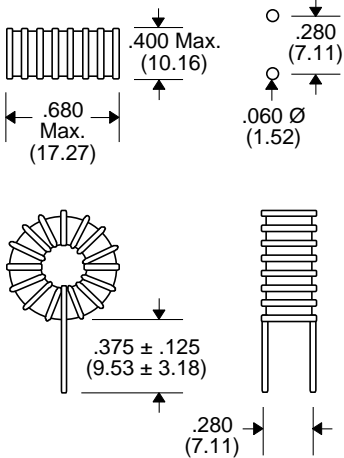
For no header version : add "V" for Vertical Mount and add "H" for Horizontal Mount

Applications



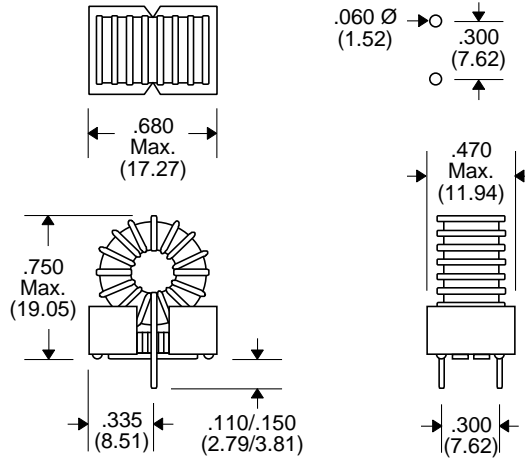
Package AC2V

Pad Layout

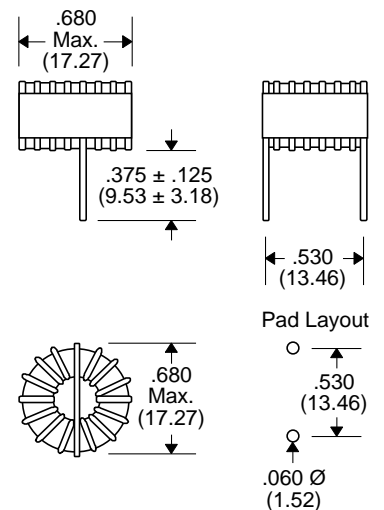


Package AC2

Pad Layout



Package AC2H



Unless Otherwise Specified Dimensions are in Inches /mm $\pm .010 / .25$