

# PANEL DISPLAY UNITS

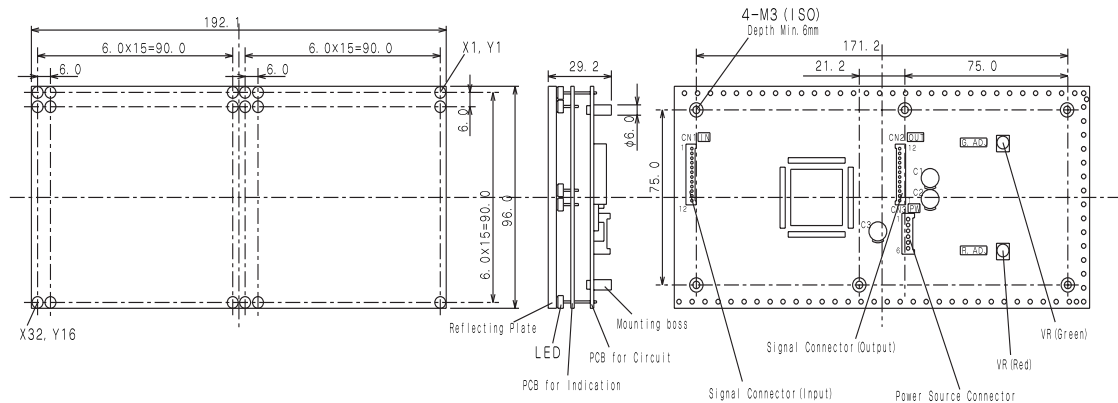
192 × 96 mm

φ 5 mm 32 × 16 Dots

LN5121291UNB

Global Part No. LNP175012

Outline Drawing



## Absolute Maximum Ratings (Ta = 25°C)

Item	Symbol	Ratings	Unit
Supply Voltage for Logic	V <sub>CC</sub>	- 0.3 ~ + 6.0	V
Supply Voltage for LED	V <sub>LED</sub>	Max 5.5	V
Input Voltage	V <sub>in</sub>	- 0.3 ~ V <sub>CC</sub> + 0.3	V
Operating Ambient Temperature	T <sub>opr</sub>	- 10 ~ + 45	°C
Storage Temperature	T <sub>stg</sub>	- 25 ~ + 85	°C

## Main Specifications (Ta = 25°C)

Item	Symbol	Ratings	Unit
Display Colors		Red, Green, Amber	
Dot Diameter		φ 5.0	mm
Dots Pitch		6.0	mm
Dot Total Number		512 (32 × 16)	
Display Surface Size		192 × 96	mm
Brightness (when lighting all lamps)	B	Red : 70 Green : 70 Controllable	cd/m <sup>2</sup>
Operating Method		1/16(Duty) Dynamic lighting	
Clock Frequency	CLK	Max 20	MHz
for Logic	Supply Voltage	V <sub>CC</sub>	5.0 ± 0.5 V
	Supply Current	I <sub>CC</sub>	Max 30 mA
for LED	Supply Voltage	V <sub>LED</sub>	5.0 ± 0.2 V
	Supply Current	I <sub>LED</sub>	Max 5.2 when two colors are all turned "ON" A
Weight		320	g