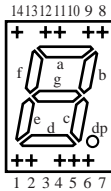


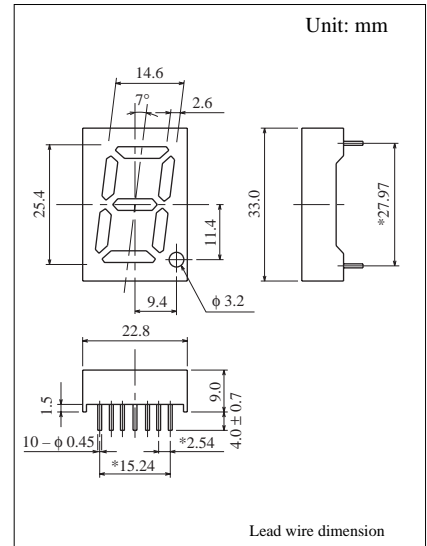
Two Color Lighting 1 Digit 25.4 mm (1.0") Series

Conventional Part No. Global Part No. Lighting Color
LN5110OGAMW LNM111AP01B Orange, Green

Terminal Connection



Pin No.	Assignment
1	Cathode e (Orange, Green)
2	Cathode d (Orange, Green)
3	—
4	Common Anode (Green)
5	Cathode c (Orange, Green)
6	Cathode dp (Orange, Green)
7	—
8	Cathode b (Orange, Green)
9	Cathode a (Orange, Green)
10	—
11	Common Anode (Orange)
12	Cathode f (Orange, Green)
13	—
14	Cathode g (Orange, Green)



■ Absolute Maximum Ratings ($T_a = 25^\circ\text{C}$)

Lighting Color	P_D (mW)	I_F (mA)	I_{FP} (mA)*	V_R (V)	T_{opr} ($^\circ\text{C}$)	T_{stg} ($^\circ\text{C}$)
Orange	110	20	100	3	-25 ~ +80	-30 ~ +85
Green	110	20	100	5	-25 ~ +80	-30 ~ +85

I_{FP} の条件は $duty$ 10% ,Pulse width 1 msec. The condition of I_{FP} is duty 10%, Pulse width 1 msec

■ Electro-Optical Characteristics ($T_a = 25^\circ\text{C}$)

Conventional Part No.	Lighting Color	Common	I_O / seg		I_O / d.p		I_F	V_F		λ_P	$\Delta\lambda$	I_F	I_R	
			Typ	Min	Typ			Typ	Max				Max	V_R
LN5110OGAMW	Orange	Anode	5.0	2.5	1.5	15	4.2	5.6	630	40	20	10	6	
	Green		6.0	2.5	2.0	15	4.2	5.6	565	30	20	10	10	
Unit	—	—	μcd	μcd	μcd	mA	V	V	nm	nm	mA	μA	V	

