

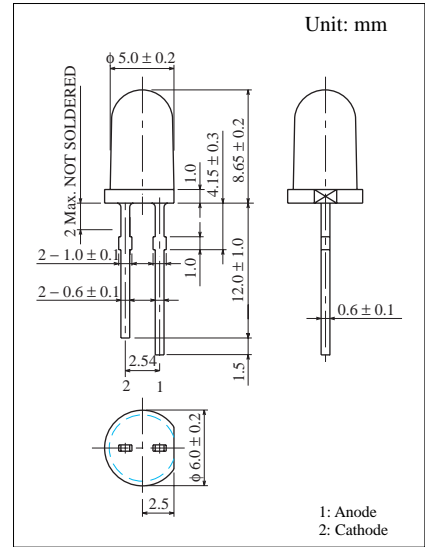
丸形 Round Type  
φ 5.0 mm Series

Conventional Part No.	Global Part No.	Lighting Color
LN21RAL(U) .....	LNG201RDA .....	Red
LN21RCAL(U) .....	LNG201LDA .....	Red
LN21WAL(U) .....	LNG201WDA .....	Red
LN21CAL(U) .....	LNG201CDA .....	Red

■ 絶対最大定格 Absolute Maximum Ratings ( $T_a = 25^\circ\text{C}$ )

Lighting Color	$P_D$ (mW)	$I_F$ (mA)	$I_{FP}$ (mA)*	$V_R$ (V)	$T_{opr}$ ( $^\circ\text{C}$ )	$T_{stg}$ ( $^\circ\text{C}$ )
Red	70	30	150	3	-25 ~ +85	-30 ~ +100

$I_{FP}$ の条件は duty 10% Pulse width 1 msec. The condition of  $I_{FP}$  is duty 10%, Pulse width 1 msec



■ 電気的光学的特性 Electro-Optical Characteristics ( $T_a = 25^\circ\text{C}$ )

Conventional Part No.	Lighting Color	Lens Color	$I_O$		$I_F$	$V_F$		$\lambda_P$	$\Delta\lambda$	$I_F$	$I_R$	
			Typ	Min		Typ	Max				Max	$V_R$
LN21RAL(U)	Red	Red Diffused	50	20	20	1.8	2.6	665	20	20	100	3
LN21RCAL(U)	Red	Red Clear	85	30	20	1.8	2.6	665	20	20	100	3
LN21WAL(U)	Red	White Diffused	50	20	20	1.8	2.6	665	20	20	100	3
LN21CAL(U)	Red	Clear	85	30	20	1.8	2.6	665	20	20	100	3
Unit	—	—	mcd	mcd	mA	V	V	nm	nm	mA	$\mu\text{A}$	V

