

LM1203B 100 MHz RGB Video Amplifier System

General Description

The LM1203B is an improved version of the popular LM1203 wideband video amplifier system. The device is intended for high resolution RGB CRT monitors. In addition to three matched video amplifiers, the LM1203B contains three gated differential input black level clamp comparators for brightness control and three matched attenuator circuits for contrast control. Each video amplifier contains a gain set or "Drive" node for setting maximum system gain or providing gain trim capability for white balance. The LM1203B also contains a voltage reference for the video inputs. The LM1203B is pin and function compatible with the LM1203.

Applications

- High resolution RGB CRT monitors
- Video AGC amplifiers
- Wideband amplifiers with gain and DC offset controls

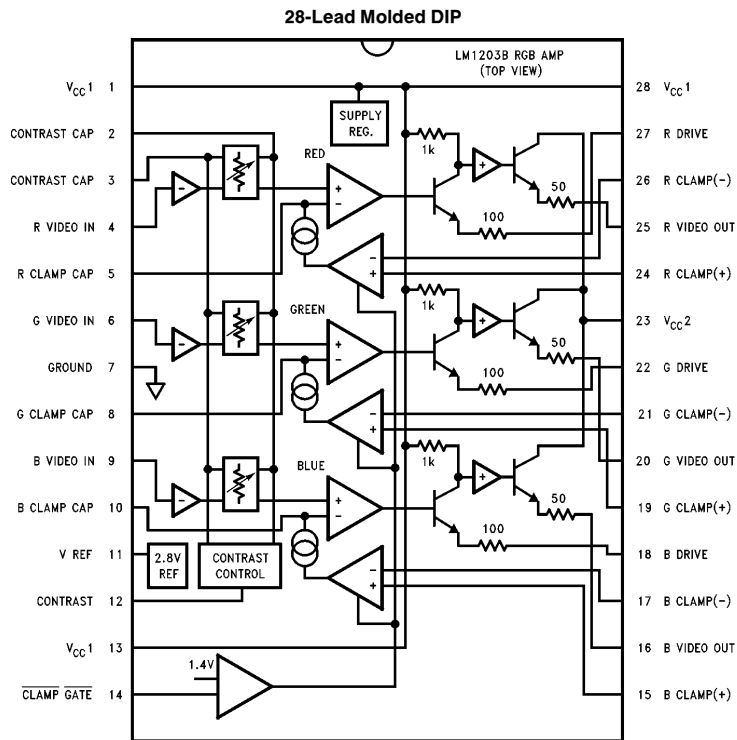
Features

- Three wideband video amplifiers (100 MHz @ -3 dB)
- Matched (± 0.1 dB or 1.2%) attenuators for contrast control
- Three externally gated comparators for brightness control
- Provisions for individual gain control (Drive) of each video amplifier
- Video input voltage reference
- Low impedance output driver
- Stable on a single sided board

Improvements over LM1203

- 100 MHz vs 70 MHz bandwidth
- V_{OUT} low: 0.15V vs 0.9V
- t_r, t_f : 3.7 ns vs 5 ns
- Built in power down spot killer

Block and Connection Diagrams



Order Number LM1203BN
See NS Package Number N28B

TL/H/11489-1

Absolute Maximum Ratings (Note 1)

If Military/Aerospace specified devices are required, please contact the National Semiconductor Sales Office/Distributors for availability and specifications.

Supply Voltage (V_{CC}) Pins 1, 13, 23, 28 (Note 3)	13.5V
Peak Video Output Source Current (Any 1A) Pins 15, 20, or 25	28 mA
Voltage at Any Input Pin (V_{IN}) $V_{CC} \geq V_{IN} \geq GND$	
Power Dissipation (P_D) (Above 25°C Derate Based on θ_{JA} and T_J)	2.5W
Thermal Resistance (θ_{JA})	50°C/W
Junction Temperature (T_J)	150°C

ESD Susceptibility (Note 4)	2.0 kV
Storage Temperature	-65°C to +150°C
Lead Temperature (Soldering, 10 seconds)	265°C

Operating Ratings (Note 2)

Temperature Range	-20°C to +80°C
Supply Voltage (V_{CC})	10.8V \leq V_{CC} \leq 13.2V

DC Electrical Characteristics See Test Circuit (Figure 2), $T_A = 25^\circ\text{C}$; $V_{CC1} = V_{CC2} = 12\text{V}$. S17, 21, 26
Open; V12 = 6V; V14 = 0V; V15 = 2.0V unless otherwise stated.

Symbol	Parameter	Conditions	Typical (Note 5)	Limit (Note 6)	Units
I_S	Supply Current	$V_{CC1} + V_{CC2}, R_L = \infty$ (Note 7)	70	95	mA(max)
V11	Video Input Reference Voltage		2.8	2.5 3.1	V(min) V(max)
I_b	Video Input Bias Current	Any One Amplifier	7	20	$\mu\text{A}(\text{max})$
V14l	Clamp Gate Low Input Voltage	Clamp Comparators On	1.2	0.8	V(max)
V14h	Clamp Gate High Input Voltage	Clamp Comparators Off	1.6	2.0	V(min)
I_{14l}	Clamp Gate Low Input Current	V14 = 0V	-1	-5.0	$\mu\text{A}(\text{max})$
I_{14h}	Clamp Gate High Input Current	V14 = 12V	0.07	0.2	$\mu\text{A}(\text{max})$
$I_{\text{clamp}+}$	Clamp Cap Charge Current	V5, 8 or 10 = 0V	750	500	$\mu\text{A}(\text{min})$
$I_{\text{clamp}-}$	Clamp Cap Discharge Current	V5, 8 or 10 = 5V	-750	500	$\mu\text{A}(\text{min})$
V_{OL}	Video Output Low Voltage	V5, 8 or 10 = 0V	0.15	0.5	V(max)
V_{OH}	Video Output High Voltage	V5, 8, or 10 = 5V	7.5	7	V(min)
$\Delta V_{O(2V)}$	Video Output Offset Voltage	Between Any Two Amplifiers, V15 = 2V	2	± 25	mV(max)
$\Delta V_{O(4V)}$	Video Output Offset Voltage	Between Any Two Amplifiers, V15 = 4V	2	± 25	mV(max)

AC Electrical Characteristics See Test Circuit (*Figure 2*), $T_A = 25^\circ\text{C}$, $V_{CC1} = V_{CC2} = 12\text{V}$. S17, 21, 26 Closed; $V_{14} = 0\text{V}$; $V_{15} = 4\text{V}$ unless otherwise stated.

Symbol	Parameter	Conditions	Typical (Note 5)	Limit (Note 6)	Units
$A_{V \max}$	Video Amplifier Gain	$V_{12} = 12\text{V}$, $V_{IN} = 560 \text{ mV}_{PP}$	6.5	4.5	V/V(min)
$\Delta V_{V 5V}$	Attenuation @ 5V	Ref: $A_{V \max}$, $V_{12} = 5\text{V}$	-8		dB
$\Delta A_{V 2V}$	Attenuation @ 2V	Ref: $A_{V \max}$, $V_{12} = 2\text{V}$	-30		dB
$A_{V \text{ match}}$	Absolute Gain Match @ $A_{V \max}$	$V_{12} = 12\text{V}$ (Note 8)	± 0.3		dB
$\Delta A_{V \text{ track } 1}$	Gain Change between Amplifiers	$V_{12} = 5\text{V}$ (Notes 8, 9)	± 0.1		dB
$\Delta A_{V \text{ track } 2}$	Gain Change between Amplifiers	$V_{12} = 2\text{V}$ (Notes 8, 9)	± 0.3		dB
THD	Video Amplifier Distortion	$V_{12} = 3\text{V}$, $V_O = 1 V_{PP}$	1		%
$f(-3 \text{ dB})$	Video Amplifier Bandwidth (Notes 10, 11)	$V_{12} = 12\text{V}$, $V_O = 4 V_{PP}$ (With 36 pF Peaking Cap from Pins 18, 22 and 27 to GND)	100		MHz
$f(-3 \text{ dB})$	Video Amplifier Bandwidth (Notes 10, 11)	$V_{12} = 12\text{V}$, $V_O = 4 V_{PP}$ (No External Peaking Cap)	60		MHz
t_r/t_f	Output Rise/Fall Time (Note 10)	$V_O = 4 V_{PP}$ (With 36 pF Peaking Cap from Pins 18, 22 and 27 to GND)	3.7		ns
t_r	Output Rise Time (Note 10)	$V_O = 4 V_{PP}$ (No External Peaking Capacitor)	5.5		ns
t_f	Output Fall Time (Note 10)	$V_O = 4 V_{PP}$ (No External Peaking Capacitor)	6.0		ns
$V_{\text{sep } 10 \text{ kHz}}$	Video Amplifier 10 kHz Isolation	$V_{12} = 12\text{V}$ (Note 12)	-70		dB
$V_{\text{sep } 10 \text{ MHz}}$	Video Amplifier 10 MHz Isolation	$V_{12} = 12\text{V}$ (Notes 10, 12)	-50		dB

Note 1: Absolute Maximum Ratings indicate limits beyond which damage to the device may occur.

Note 2: Operating Ratings indicate conditions for which the device is functional, but do not guarantee specific performance limits. For guaranteed specifications and test conditions, see the Electrical Characteristics. The guaranteed specifications apply only for the test conditions listed. Some performance characteristics may degrade when the device is not operated under the listed test conditions.

Note 3: V_{CC} supply pins 1, 13, 23, 28 must be externally wired together to prevent internal damage during V_{CC} power on/off cycles.

Note 4: Human body model, 100 pF discharged through a 1.5 k Ω resistor.

Note 5: Typical specifications are specified at +25 $^\circ\text{C}$ and represent the most likely parametric norm.

Note 6: Tested limits are guaranteed to National's AOQL (Average Outgoing Quality Level).

Note 7: The supply current specified is the quiescent current for V_{CC1} and V_{CC2} with $R_L = \infty$, see *Figure 2*'s test circuit. The supply current for V_{CC2} (pin 23) also depends on the output load. With video output at 2V DC, the additional current through V_{CC2} is 18 mA for *Figure 2*'s test circuit.

Note 8: Measure gain difference between any two amplifiers. $V_{IN} = 1 V_{PP}$.

Note 9: $\Delta A_{V \text{ track}}$ is a measure of the ability of any two amplifiers to track each other and quantifies the matching of the three attenuators. It is the difference in gain change between any two amplifiers with the contrast voltage (V_{12}) at either 5V or 2V measured relative to an $A_{V \max}$ condition, $V_{12} = 12\text{V}$. For example, at $A_{V \max}$ the three amplifiers' gains might be 17.4 dB, 16.9 dB and 16.4 dB and change to 7.3 dB, 6.9 dB and 6.5 dB respectively for $V_{12} = 5\text{V}$. This yields the measured typical ± 0.1 dB channel tracking.

Note 10: When measuring video amplifier bandwidth or pulse rise and fall times, a single sided with ground plane printed circuit board without socket is recommended. Video amplifier 10 MHz isolation test also requires this printed circuit board.

Note 11: Adjust input frequency from 10 kHz ($A_{V \max}$ reference level) to the -3 dB corner frequency ($f_{-3 \text{ dB}}$).

Note 12: Measure output levels of the other two undriven amplifiers relative to the driven amplifier to determine channel separation. Terminate the undriven amplifier inputs to simulate generator loading. Repeat test at $f_{IN} = 10 \text{ MHz}$ for $V_{\text{sep}} = 10 \text{ MHz}$.

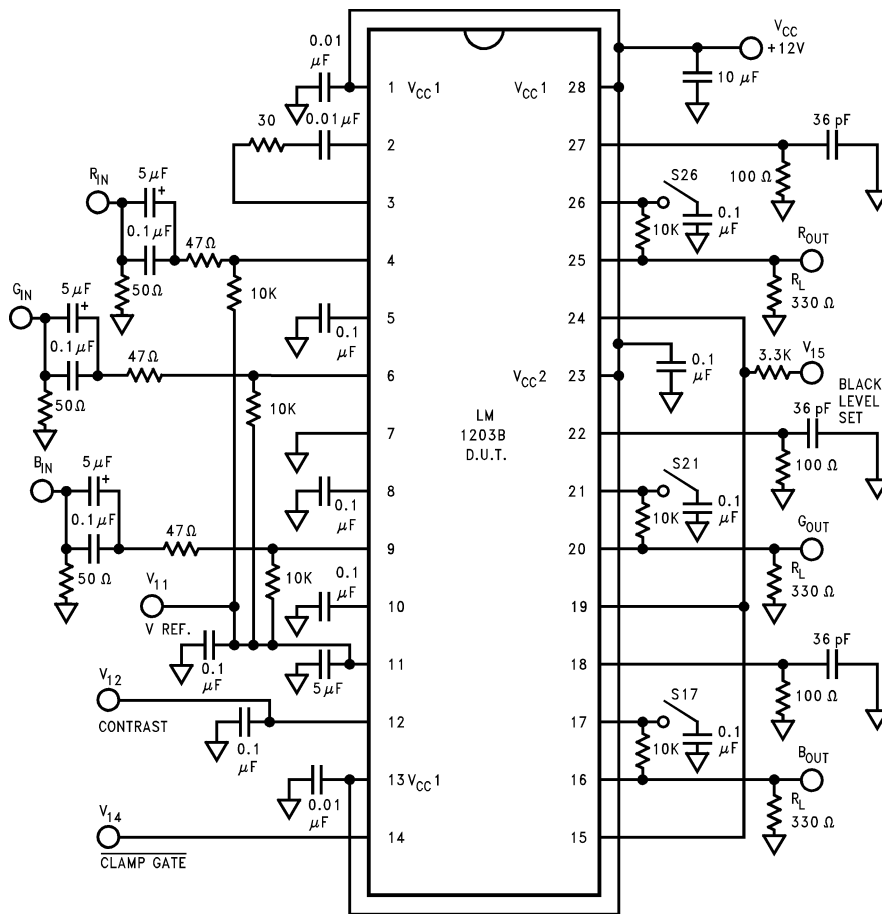
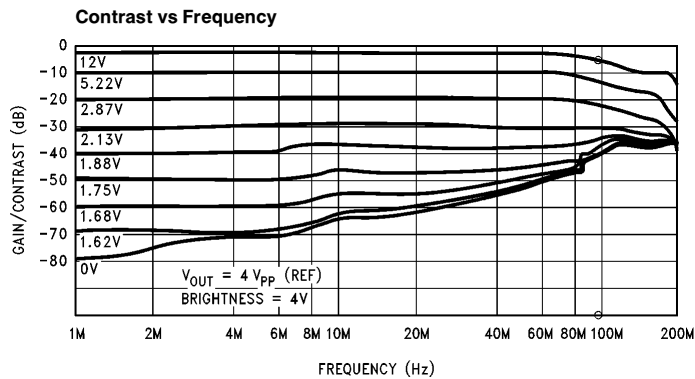


FIGURE 2. LM1203B Test Circuit

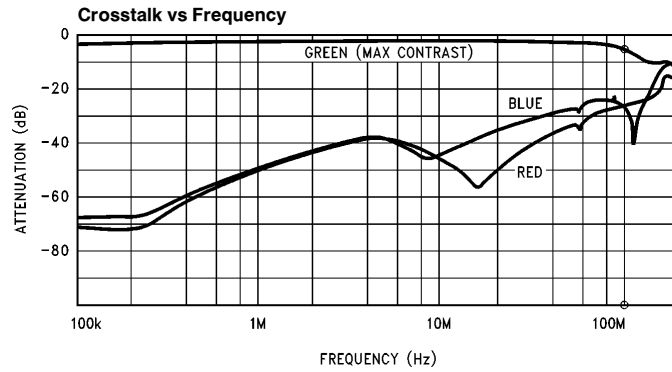
TL/H/11489-2

Typical Performance Characteristics $V_{CC} = 12V$, $T_A = 25^\circ C$ unless otherwise specified

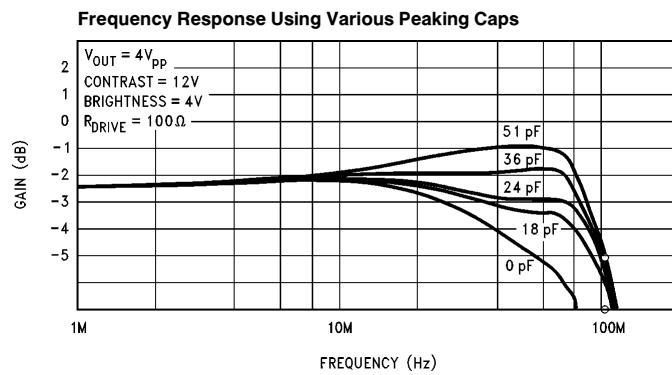


TL/H/11489-3

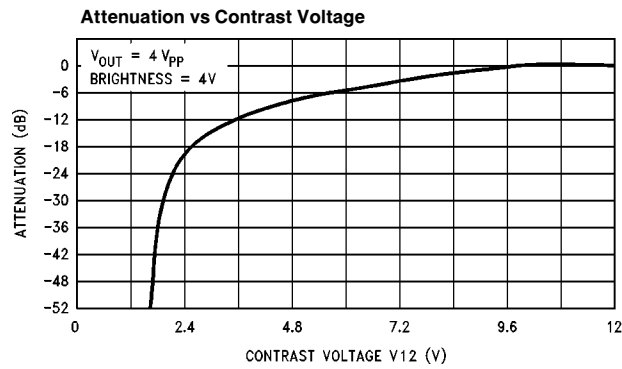
Typical Performance Characteristics $V_{CC} = 12V$, $T_A = 25^\circ C$ unless otherwise specified (Continued)



TL/H/11489-4



TL/H/11489-5



TL/H/11489-6

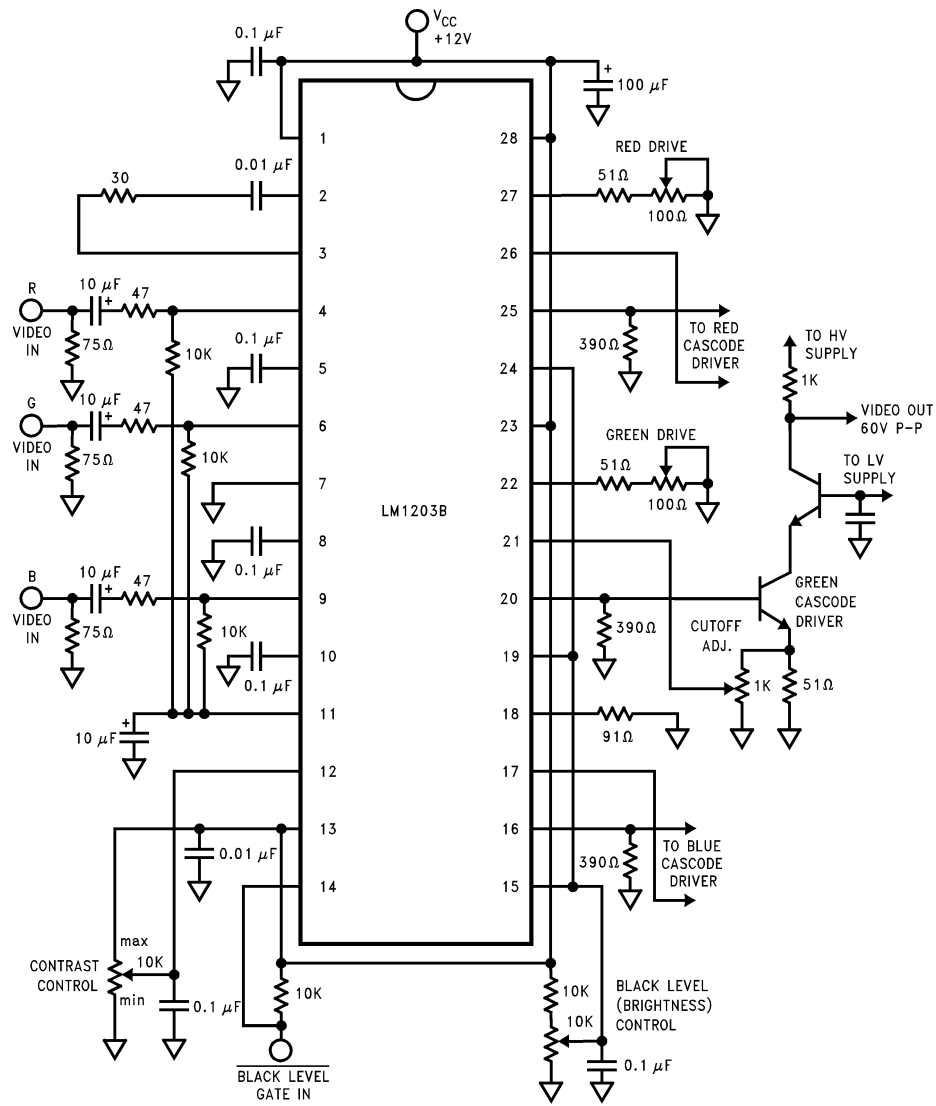


FIGURE 3. LM1203B Typical Application

TL/H/11489-7

Applications Information

Figure 4 shows the block diagram of a typical analog RGB color monitor. The RGB monitor is used with CAD/CAM work stations, PC's, arcade games and in a wide range of other applications that benefit from the use of color display terminals. The RGB color monitor characteristics may differ in such ways as sweep rates, screen size, CRT color trio spacing (dot pitch), or in video amplifier bandwidths but will still be generally configured as shown in Figure 4. Separate horizontal and vertical sync signals may be required or they may be contained in the green video input signal. The video input signals are usually supplied by coax cable which is terminated in 75Ω at the monitor input and internally AC coupled to the video amplifiers. These input signals are approximately 1V peak to peak in amplitude and at the input of the high voltage video section, approximately 5V peak to peak. At the cathode of the CRT the video signals can be as high as 60V peak to peak. One important requirement of the three video amplifiers is that they match and track each other over the contrast and brightness control range. The

Figure 4 block labeled "VIDEO AMPLIFICATION WITH GAIN AND DC CONTROL" describes the function of the LM1203B which contains the three matched video amplifiers, contrast control and brightness control.

Circuit Description

Figure 5 is a block diagram of one of the video amplifiers along with the contrast and brightness controls. The contrast control is a DC-operated attenuator which varies the AC gain of all three amplifiers simultaneously while not introducing any signal distortions or tracking errors. The brightness control function requires a "sample and hold" circuit (black level clamp) which holds the DC bias of the video amplifiers and CRT cathodes constant during the black level reference portion of the video waveform. The clamp comparator, when gated on during this reference period, will charge or discharge the clamp capacitor until the plus input of the clamp comparator matches that of the minus input voltage which was set by the brightness control.

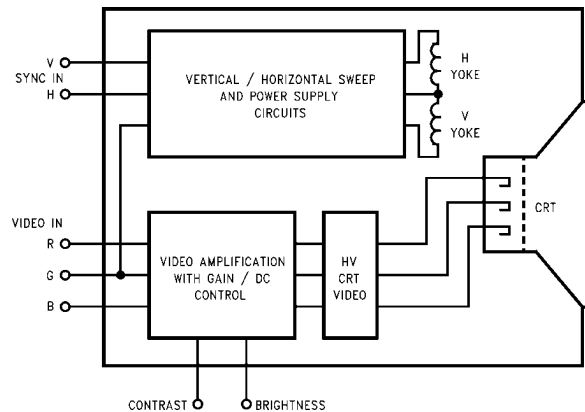


FIGURE 4. Typical RGB Color Monitor Block Diagram

TL/H/11489-8

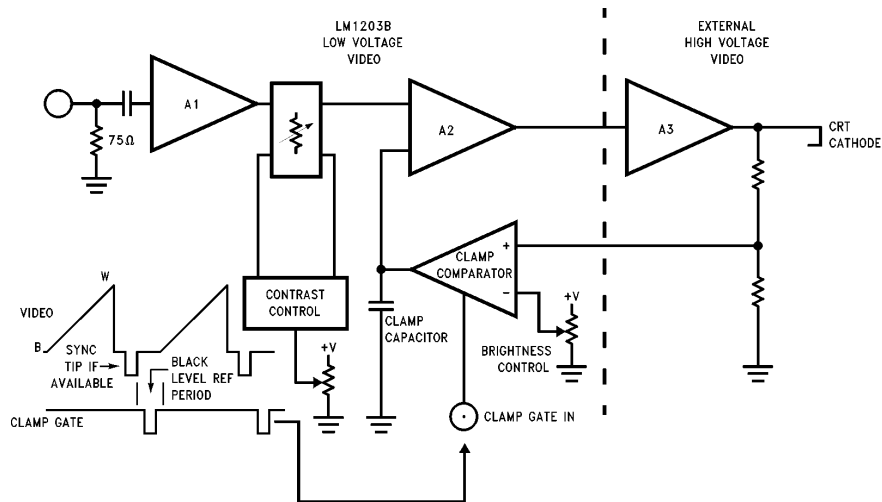


FIGURE 5. Block Diagram of LM1203B Video Amplifier with Contrast and Black Level Control

TL/H/11489-9

Circuit Description (Continued)

VIDEO AMPLIFIER SECTION

Figure 6 is a simplified schematic of one of the three video amplifiers along with the recommended external components. The IC pin numbers are circled and all external components are shown outside the dashed line. The video input is applied to pin 6 via a $10\ \mu\text{F}$ coupling capacitor and a $47\ \Omega$ resistor. The resistor is added to limit the current through the input pin should the applied voltage rise above V_{CC} or drop below ground. The performance of the LM1203B is not degraded by the $47\ \Omega$ resistor. However if EMI is a concern, this resistor can be increased to well over $100\ \Omega$ where the rise and fall times will become longer. DC bias for the video input is through the 10k resistor connected to the 2.8V reference at pin 11. The low frequency roll-off of the amplifier is set by the 10k resistor and the $10\ \mu\text{F}$ capacitor. Transistor Q1 buffers the video signal to the base of Q2. Q2's collector current is then directed to the V_{CC1} supply directly or through the 4k load resistor depending upon the differential DC voltage at the bases of Q3 and Q4. This differential DC voltage is generated by the contrast control circuit which is described in the following sections. A $0.01\ \mu\text{F}$ decoupling capacitor in series with a $30\ \Omega$ resistor is required between pins 2 and 3 to ensure high frequency isolation between the three video amplifiers which share these common connec-

tions. The video signal is buffered by Q5 and Q6 and DC level shifted by the voltage drop across R5. The magnitude of the current through R5 is determined by the voltage at pin 8. The voltage at pin 8 is set by the clamp comparator output current which charges or discharges the clamp hold capacitor during the black level period of the video waveform. Transistors Q9 and Q10 are darlington connected to ensure a minimum discharge of the clamp hold capacitor during the time that the clamp capacitor is gated off. Q7, Q8 and R6 form a current mirror which sets a voltage at the base of Q11. Q11 buffers the video signal to the base of Q12 which provides additional signal gain. The "Drive" pin allows the user to trim the Q12 gain of each amplifier to correct for gain differences in the CRT and high voltage cathode driver gain stages. A small capacitor (several pico-Farads) from the "Drive" pin to ground will cause high frequency peaking and slightly improve the amplifier's bandwidth.

For individual gain adjustment of each video channel, a $51\ \Omega$ resistor in series with a $100\ \Omega$ potentiometer should be used with the red and green channel drive pins. A $91\ \Omega$ resistor used with the blue channel drive pin sets the blue channel amplifier gain at approximately 6.2. The $100\ \Omega$ potentiometers at the red and green channel drive pins allow a gain of 6.2 with $\pm 25\%$ gain adjustment. The video signal at the

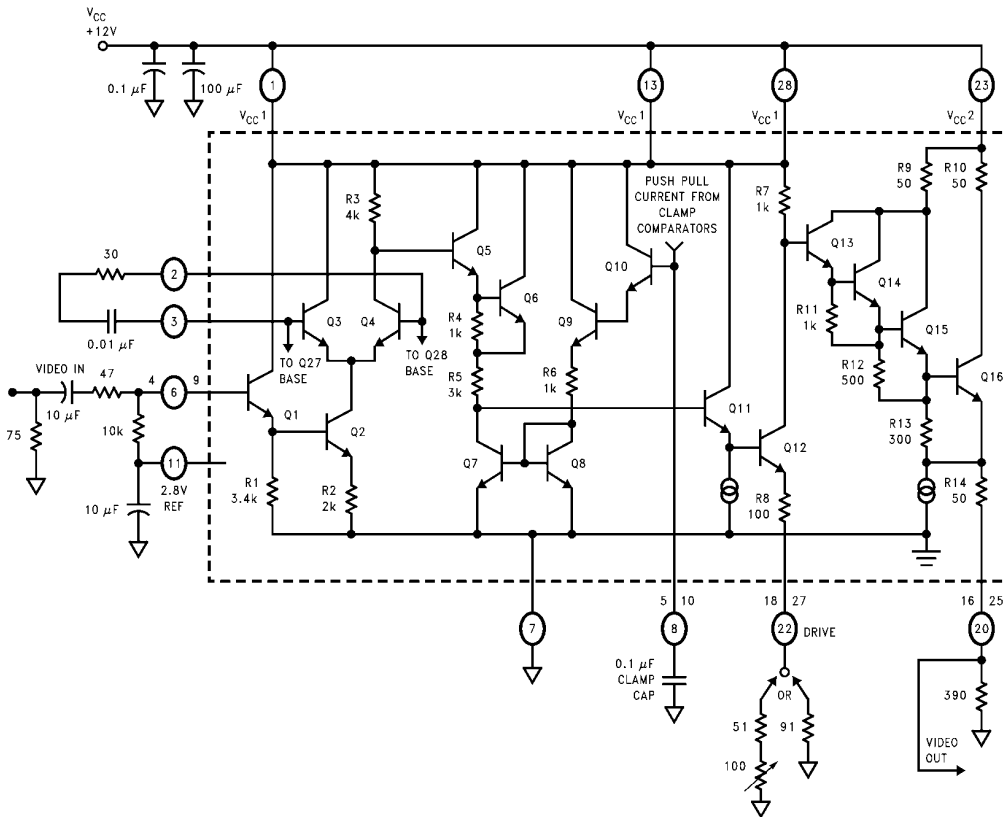


FIGURE 6. Simplified Schematic of LM1203B Video Amplifier Section with Recommended External Components

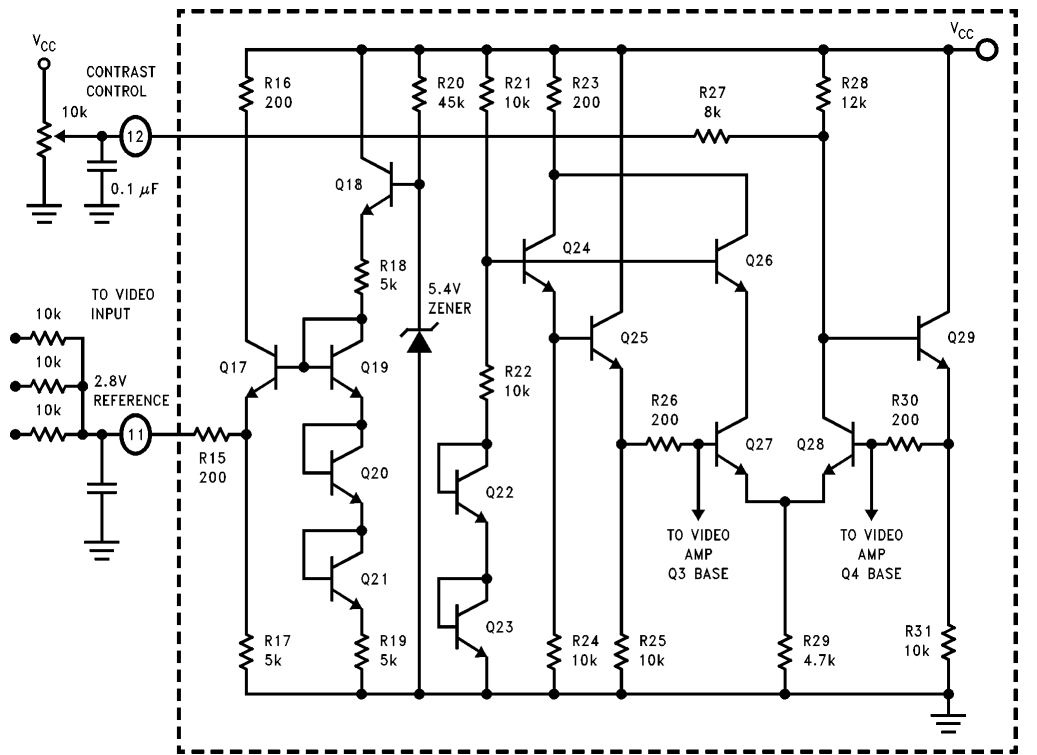
TL/H/11489-10

Circuit Description (Continued)

collector of Q12 is buffered and level shifted down by Q13, Q14 and Q15 to the base of the output emitter follower Q16. A 50Ω decoupling resistor is included in series with the emitter of Q16 and the video output pin so as to prevent oscillations when driving capacitive loads. An external resistor should be connected between the video output pin and ground. The value of this resistor should not be less than 390Ω or else package power limitations may be exceeded under worse case conditions (high supply voltage, maximum current, maximum temperature). The collector current from the video output transistor of each video channel is returned to the power supply at V_{CC2}, pin 23. When making power dissipation calculations note that the data sheet specifies only the V_{CC1} and V_{CC2} supply current at 12V supply voltage with no pull down resistor at the output (i.e., R_L = ∞, see Test Circuit *Figure 2*). The IC power dissipation due to V_{CC2} is dependent upon the external video output pull down resistor.

INPUT REFERENCE AND CONTRAST CONTROL SECTION

Figure 7 shows the input reference and contrast control circuitry. A temperature compensated 2.8V reference voltage is made available at pin 11. The external DC biasing resistors shown should not be larger than 10k because minor differences in input bias currents of the individual video amplifiers may cause offsets in gain. *Figure 7* also shows how the contrast control circuit is configured. R21, R22, Q22, Q23, and Q24 establish a low impedance zero TC half supply voltage reference at the base of Q25. The differential amplifier formed by Q27, Q28 and feedback transistor Q29 along with R28 and R29 establish a differential base voltage for Q3 and Q4 in *Figure 6*. When externally adding or subtracting current from the collector of Q28, a new differential voltage is generated that reflects the change in the ratio of currents in Q27 and Q28. To allow voltage control of the current through Q28, resistor R27 is added between the collector Q28 and pin 12. A capacitor should be connected from pin 12 to ground to prevent noise from the contrast control potentiometer from entering the IC.



TL/H/11489-11

FIGURE 7. Simplified Schematic of LM1203B Video Input Reference and Contrast Control Circuits

Circuit Description (Continued)

CLAMP GATE AND CLAMP COMPARATOR SECTION

Figures 8 and 9 show simplified schematics of the clamp gate and clamp comparator circuits. The clamp gate circuit (Figure 8) consists of a PNP input buffer transistor (Q46), a PNP emitter coupled pair (Q47 and Q49) referenced on one side to 2.1V and an output switch transistor Q53. When the clamp gate input at pin 14 is high (> 1.5V) the Q53 switch is on and shunts the 200 μ A current from current source Q54 to ground. When pin 14 is low (< 1.3V) the Q53 switch is off and the 200 μ A current is mirrored by the current mirror comprised of Q55 and Q36 (see Figure 9). Consequently the clamp comparator comprised of the differential pair Q35 and Q37 is enabled. The input of each clamp comparator is

similar to the clamp gate except that an NPN emitter coupled pair is used to control the current that will charge or discharge the clamp capacitors at pins 5, 8, and 10. PNP transistors are used at the inputs because they offer a number of advantages over NPNs. PNPs will operate with base voltages at or near ground and will usually have a greater emitter base breakdown voltage (BVebo). Because the differential input voltage to the clamp comparator during the video scan period could be greater than the BVebo of NPN transistors, a resistor (R37) with a value one half that of R36 or R39 is connected between the bases of Q34 and Q38. The clamp comparator's common mode range is from ground to approximately 9V and the maximum differential input voltage is V_{CC} and ground.

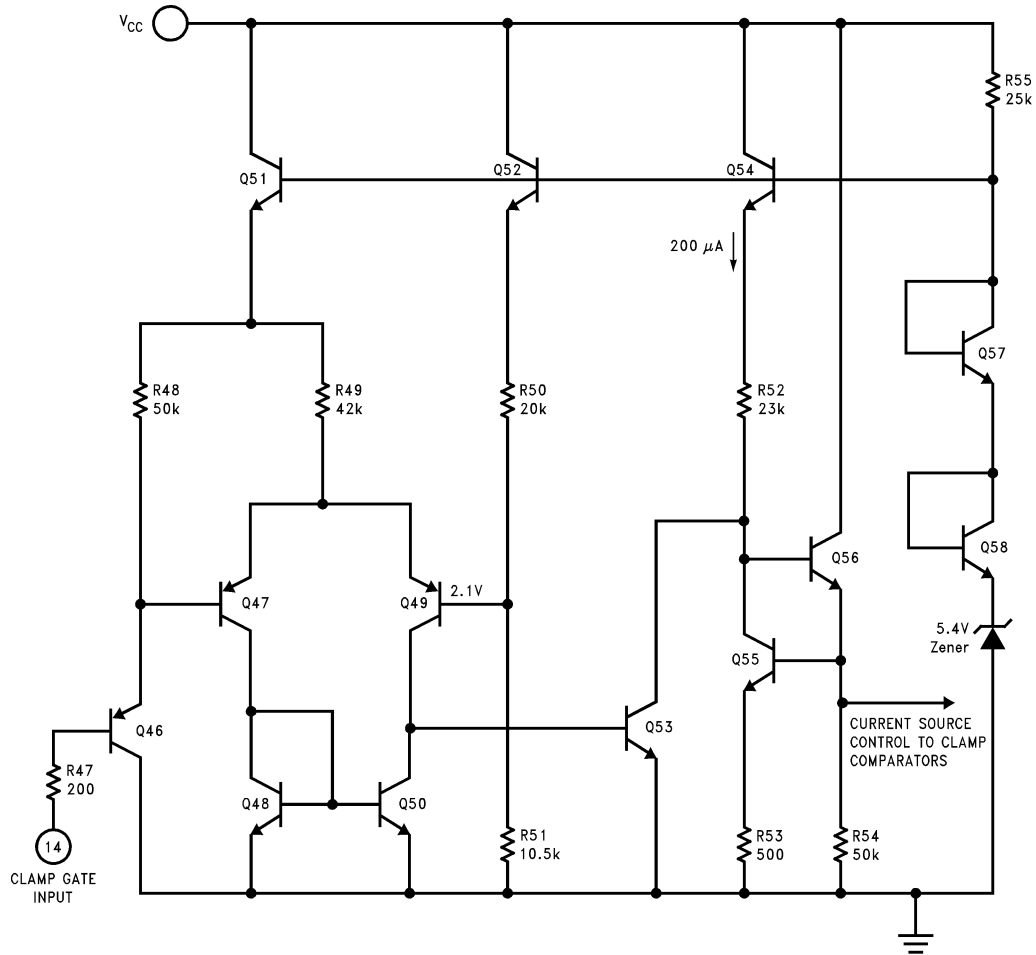


FIGURE 8. Simplified Schematic of LM1203B Clamp Gate Circuit

TL/H/11489-12

Circuit Description (Continued)

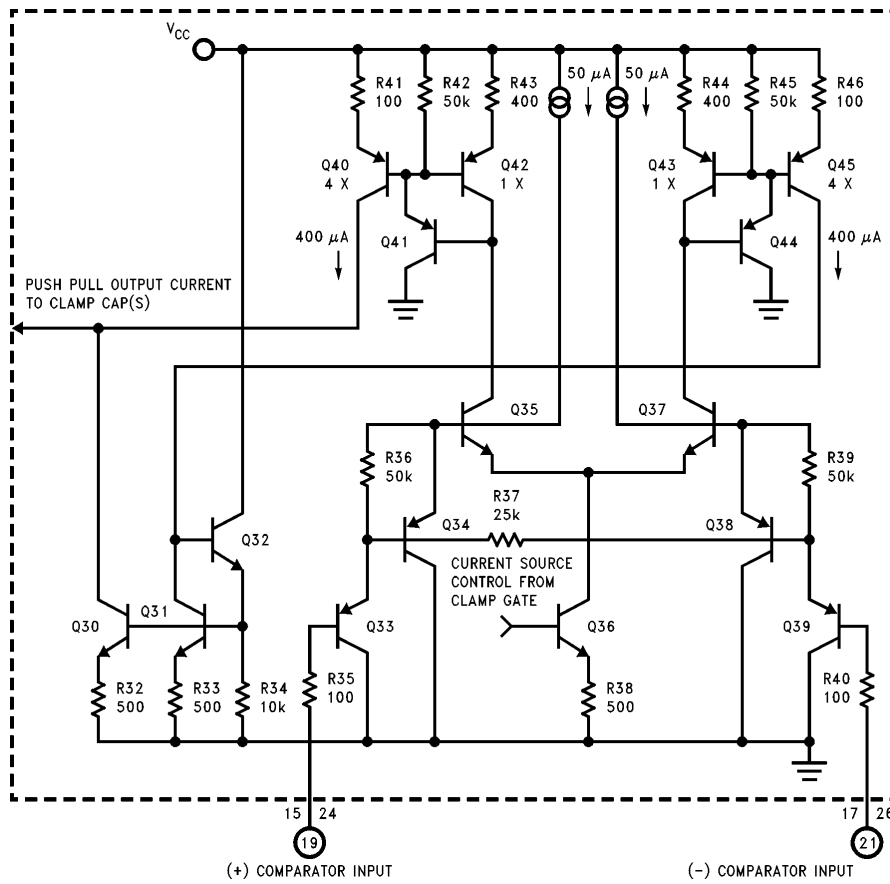


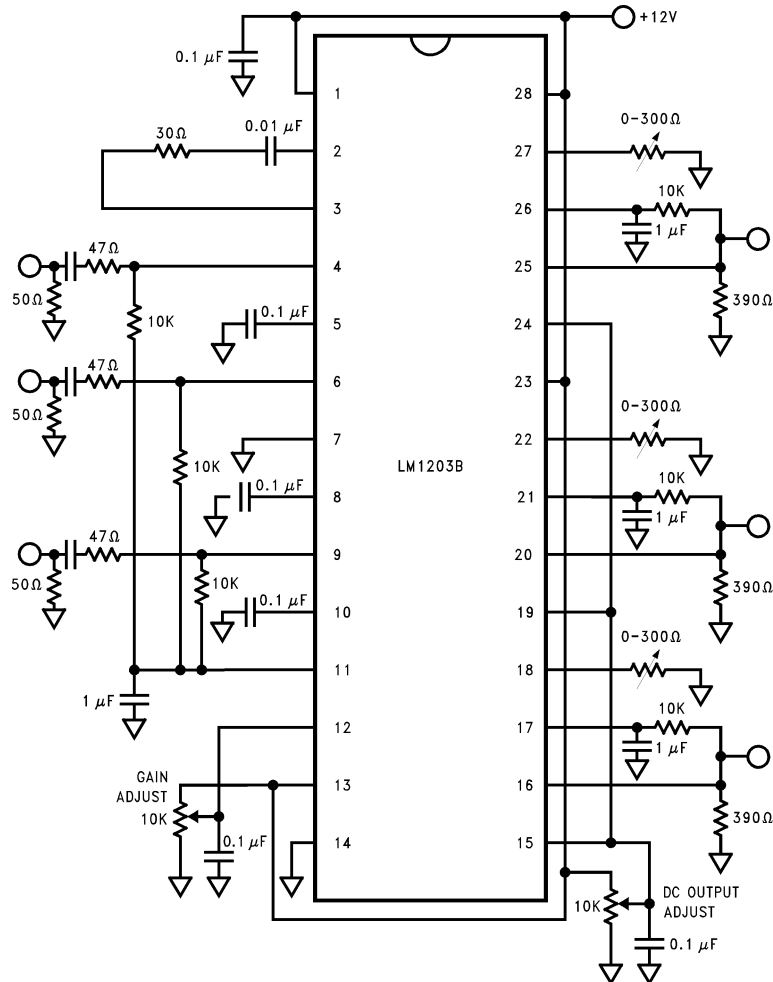
FIGURE 9. Simplified Schematic of LM1203B Clamp Comparator Circuits

TL/H/11489-13

Additional Applications of the LM1203B

Figure 10 shows the configuration for a three channel high frequency amplifier with non gated DC feedback. Pin 14 is tied low to turn on the clamp comparators (feedback amplifiers). The inverting inputs (Pins 17, 21, 26) are connected to the amplifier outputs from a low pass filter. Additional low frequency filtering is provided by the clamp caps. The drive

resistors can be made variable or fixed at values between 0Ω and 300Ω . Maximum output swings are achieved when the DC output is set to approximately 4V. The high frequency response will be dependent upon external peaking at the drive pins.



TL/H/11489-14

FIGURE 10. Three Channel High Frequency Amplifier with Non-Gated DC Feedback (Non-Video Applications)

Additional Applications of the LM1203B (Continued)

Figure 11 shows a complete RGB video preamplifier circuit using the LM1203B. A quad Exclusive-OR gate (MM74HC86) is used to generate the back porch clamp signal from the composite sync input signal. The composite H Sync input signal may have either polarity. The back porch clamp signal applied to LM1203B's pin 14 allows clamping the video output signals to the black reference level, thereby providing DC restoration. The back porch clamp pulse width is determined by the time constant due to the product of R11 and C15. For fast horizontal scan rates,

the back porch clamp pulse width can be made narrower by decreasing the value of R11 or C15 or both. Note that an MM74C86 Exclusive-Or gate may also be used, however, the pin out is different than that of the MM74HC86.

For optimum performance and maximum bandwidth, high speed buffer transistors (Q1, Q2, and Q3 in Figure 11) are recommended. The 2N5770 NPN transistors maintain high speed at high currents when driving the inputs of high voltage CRT drivers.

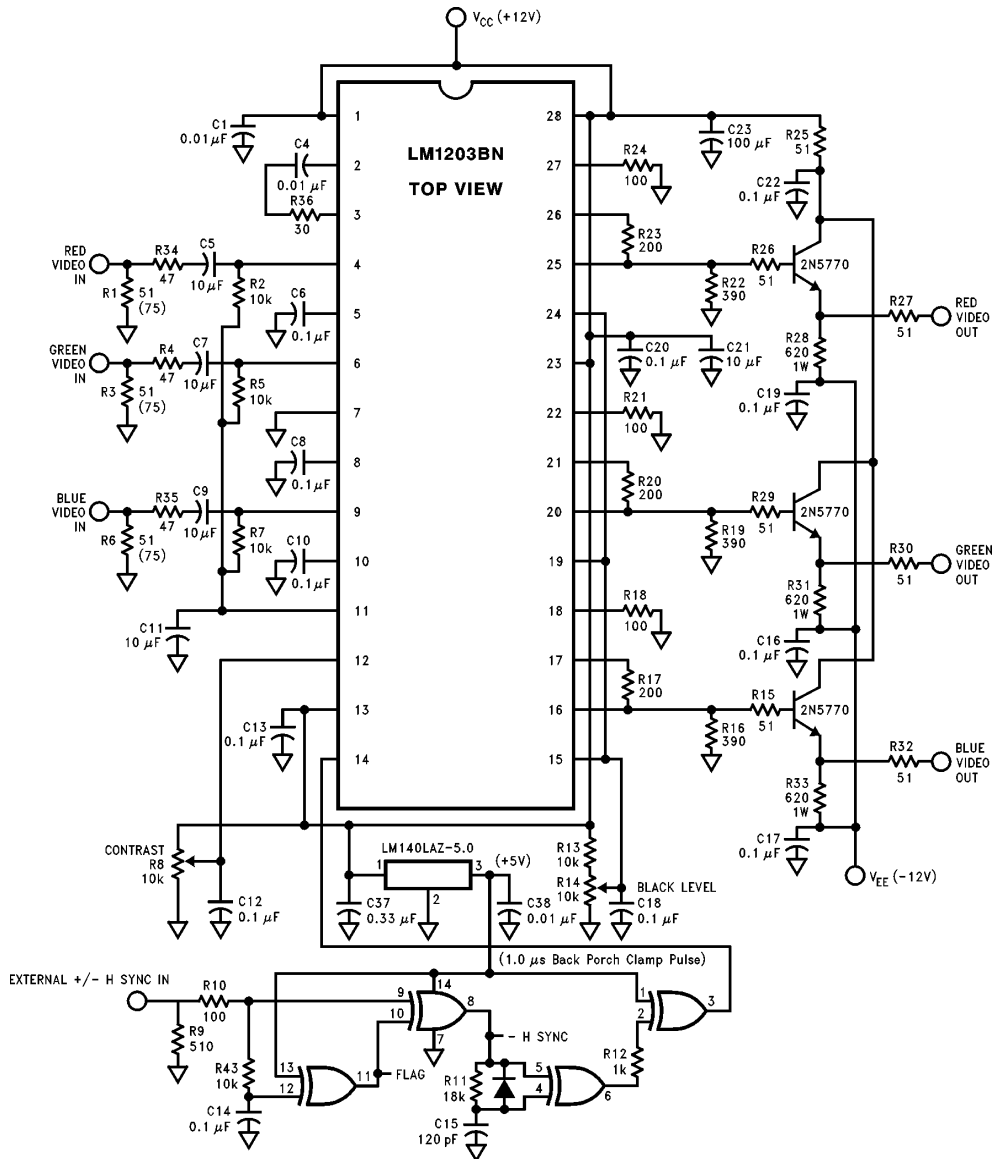


FIGURE 11. LM1203B Applications Circuit

TL/H/11489-15

LM1203B versus LM1203

LM1203B is an improved version of the LM1203 RGB video amplifier system and is pin and function compatible with the LM1203. LM1203B's output voltage can swing as low as 0.15V as opposed to 0.9V for the LM1203. This eliminates the need for a level shift stage between the preamplifier and the CRT driver in most applications.

The LM1203B also offers faster rise and fall times of 3.7 ns versus 5 ns for the LM1203, resulting in 100 MHz bandwidth versus 70 MHz for LM1203. A peaking capacitor across the drive resistor is necessary to obtain these rise and fall times. The LM1203B is stable on a well laid out single sided PC board, but due to its wider bandwidth the device may oscillate if plugged directly into an existing LM1203 board. For suggestions on optimum PC board layout, please refer to the PC board layout given in the LM1203A data sheet. The ground plane is not necessary for the LM1203B due to its lower bandwidth.

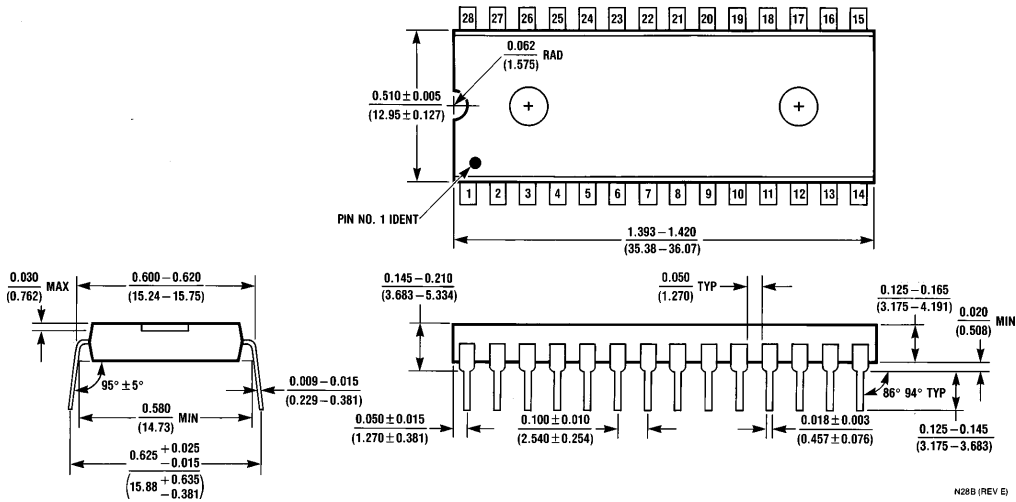
The LM1203B also includes a built in power down spot killer to prevent a flash on the screen upon power down. In some preamplifiers, the video output signal may go high as the device is being powered down. This may cause a whiter than white level at the output of the CRT driver thus causing a flash on the screen.

Reference

Ott, Henry W., "Noise Reduction Techniques in Electronic Systems", John Wiley & Sons, New York, 1976.



Physical Dimensions inches (millimeters) unless otherwise noted



28-Lead Molded Dual-In-Line Package (N)
Order Number LM1203BN
NS Package Number N28B

N28B (REV E)

LIFE SUPPORT POLICY

NATIONAL'S PRODUCTS ARE NOT AUTHORIZED FOR USE AS CRITICAL COMPONENTS IN LIFE SUPPORT DEVICES OR SYSTEMS WITHOUT THE EXPRESS WRITTEN APPROVAL OF THE PRESIDENT OF NATIONAL SEMICONDUCTOR CORPORATION. As used herein:

1. Life support devices or systems are devices or systems which, (a) are intended for surgical implant into the body, or (b) support or sustain life, and whose failure to perform, when properly used in accordance with instructions for use provided in the labeling, can be reasonably expected to result in a significant injury to the user.
2. A critical component is any component of a life support device or system whose failure to perform can be reasonably expected to cause the failure of the life support device or system, or to affect its safety or effectiveness.



National Semiconductor Corporation
 1111 West Bardin Road
 Arlington, TX 76017
 Tel: (800) 272-9959
 Fax: (800) 737-7018

<http://www.national.com>

National Semiconductor Europe

Fax: +49 (0) 180-530 85 86
 Email: europe.support@nsc.com
 Deutsch Tel: +49 (0) 180-530 85 85
 English Tel: +49 (0) 180-532 78 32
 Français Tel: +49 (0) 180-532 93 58
 Italiano Tel: +49 (0) 180-534 16 80

National Semiconductor Hong Kong Ltd.

19th Floor, Straight Block,
 Ocean Centre, 5 Canton Rd.
 Tsimshatsui, Kowloon
 Hong Kong
 Tel: (852) 2737-1600
 Fax: (852) 2736-9960

National Semiconductor Japan Ltd.

Tel: 81-043-299-2308
 Fax: 81-043-299-2408