

Triacs

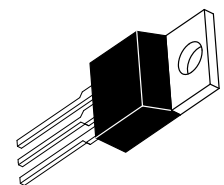
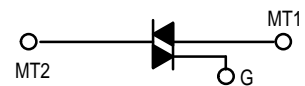
Silicon Bidirectional Thyristors

... designed primarily for full-wave ac control applications, such as light dimmers, motor controls, heating controls and power supplies; or wherever full-wave silicon gate controlled solid-state devices are needed. Triac type thyristors switch from a blocking to a conducting state for either polarity of applied anode voltage with positive or negative gate triggering.

- Blocking Voltage to 800 Volts
- All Diffused and Glass Passivated Junctions for Greater Parameter Uniformity and Stability
- Small, Rugged, Thermowatt Construction for Low Thermal Resistance, High Heat Dissipation and Durability
- Gate Triggering Guaranteed in Three Modes (MAC212 Series) or Four Modes (MAC212A Series)

MAC212 Series MAC212A Series

TRIACs
12 AMPERES RMS
200 thru 800 VOLTS



**CASE 221A-04
(TO-220AB)
STYLE 4**

MAXIMUM RATINGS ($T_J = 25^\circ\text{C}$ unless otherwise noted.)

Rating	Symbol	Value	Unit
Repetitive Peak Off-State Voltage ⁽¹⁾ ($T_J = -40$ to $+125^\circ\text{C}$, 1/2 Sine Wave 50 to 60 Hz, Gate Open)	V_{DRM}	200 400 600 800	Volts
On-State Current RMS ($T_C = +85^\circ\text{C}$) Full Cycle Sine Wave 50 to 60 Hz	$I_{\text{T(RMS)}}$	12	Amp
Peak Non-repetitive Surge Current (One Full Cycle, 60 Hz, $T_C = +85^\circ\text{C}$) preceded and followed by Rated Current	I_{TSM}	100	Amp
Circuit Fusing Considerations ($t = 8.3$ ms)	I^2t	40	A^2s
Peak Gate Power ($T_C = +85^\circ\text{C}$, Pulse Width = 10 μs)	P_{GM}	20	Watts
Average Gate Power ($T_C = +85^\circ\text{C}$, $t = 8.3$ ms)	$P_{\text{G(AV)}}$	0.35	Watt
Peak Gate Current ($T_C = +85^\circ\text{C}$, Pulse Width = 10 μs)	I_{GM}	2	Amp
Operating Junction Temperature Range	T_J	-40 to +125	$^\circ\text{C}$
Storage Temperature Range	T_{stg}	-40 to +150	$^\circ\text{C}$

1. V_{DRM} for all types can be applied on a continuous basis. Blocking voltages shall not be tested with a constant current source such that the voltage ratings of the devices are exceeded.

MAC212 Series MAC212A Series

THERMAL CHARACTERISTICS

Characteristic	Symbol	Max	Unit
Thermal Resistance, Junction to Case	$R_{\theta JC}$	2.1	$^{\circ}C/W$

ELECTRICAL CHARACTERISTICS ($T_C = 25^{\circ}C$ unless otherwise noted.)

Characteristic	Symbol	Min	Typ	Max	Unit
Peak Blocking Current (Either Direction) ($V_D = \text{Rated } V_{DRM}$, Gate Open) $T_J = 25^{\circ}C$ $T_J = +125^{\circ}C$	I_{DRM}	— —	— —	10 2	μA mA
Peak On-State Voltage (Either Direction) $I_{TM} = 17 A$ Peak; Pulse Width = 1 to 2 ms, Duty Cycle $\leq 2\%$	V_{TM}	—	1.3	1.75	Volts
Gate Trigger Current (Continuous dc) (Main Terminal Voltage = 12 Vdc, $R_L = 100$ Ohms) MT2(+), G(+) MT2(+), G(-) MT2(-), G(-) MT2(-), G(+) "A" SUFFIX ONLY	I_{GT}	— — — —	12 12 20 35	50 50 50 75	mA
Gate Trigger Voltage (Continuous dc) (Main Terminal Voltage = 12 Vdc, $R_L = 100$ Ohms) MT2(+), G(+) MT2(+), G(-) MT2(-), G(-) MT2(-), G(+) "A" SUFFIX ONLY (Main Terminal Voltage = Rated V_{DRM} , $R_L = 10$ k Ω , $T_J = +125^{\circ}C$) MT2(+), G(+); MT2(-), G(-); MT2(+), G(-) MT2(-), G(+) "A" SUFFIX ONLY	V_{GT}	— — — — 0.2 0.2	0.9 0.9 1.1 1.4	2 2 2 2.5	Volts
Holding Current (Either Direction) (Main Terminal Voltage = 12 Vdc, Gate Open, Initiating Current = 500 mA)	I_H	—	6	50	mA
Turn-On Time ($V_D = \text{Rated } V_{DRM}$, $I_{TM} = 17 A$, $I_{GT} = 120$ mA, Rise Time = 0.1 μs , Pulse Width = 2 μs)	t_{gt}	—	1.5	—	μs
Critical Rate of Rise of Commutation Voltage ($V_D = \text{Rated } V_{DRM}$, $I_{TM} = 17 A$, Commutating $di/dt = 6.1$ A/ms, Gate Unenergized, $T_C = +85^{\circ}C$)	$dv/dt(c)$	—	5	—	V/ μs
Critical Rate of Rise of Off-State Voltage ($V_D = \text{Rated } V_{DRM}$, Exponential Voltage Rise, Gate Open, $T_C = +85^{\circ}C$)	dv/dt	—	100	—	V/ μs

FIGURE 1 — CURRENT DERATING

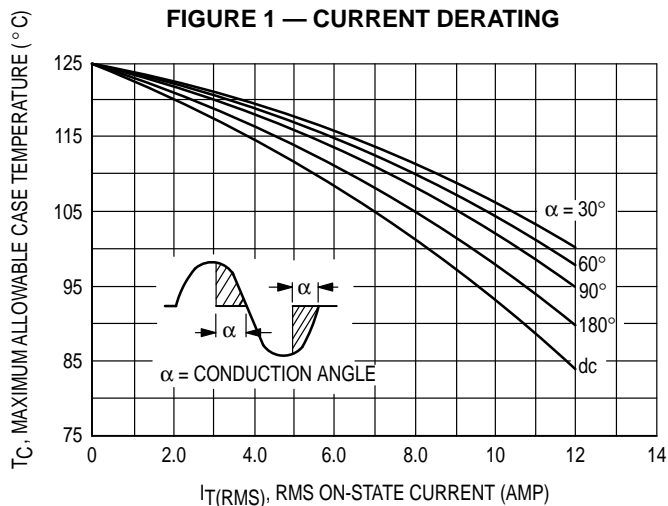


FIGURE 2 — POWER DISSIPATION

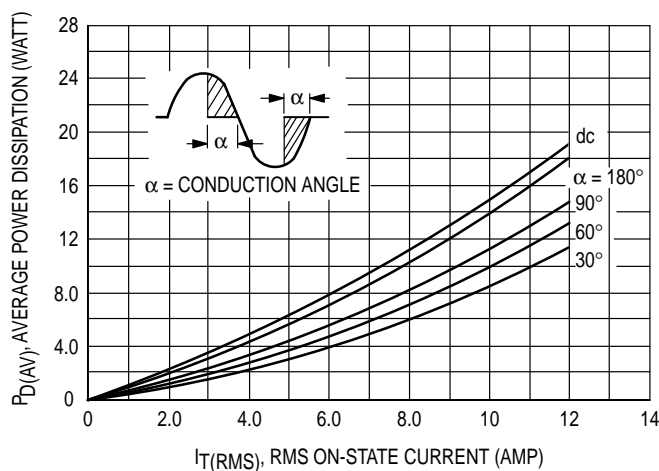


FIGURE 3 — MAXIMUM ON-STATE CHARACTERISTICS

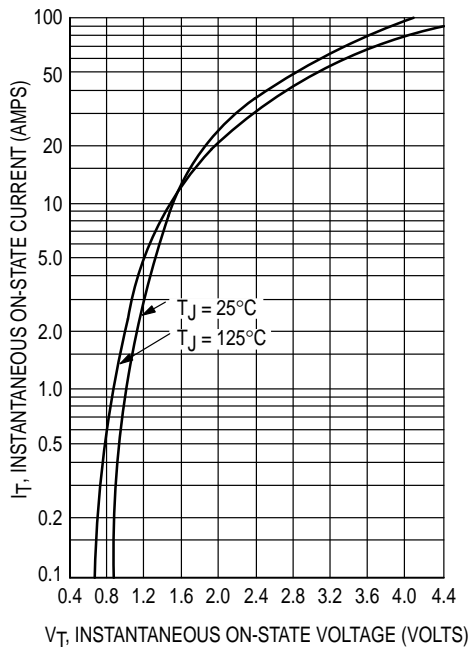


FIGURE 4 — MAXIMUM NON-REPETITIVE SURGE CURRENT

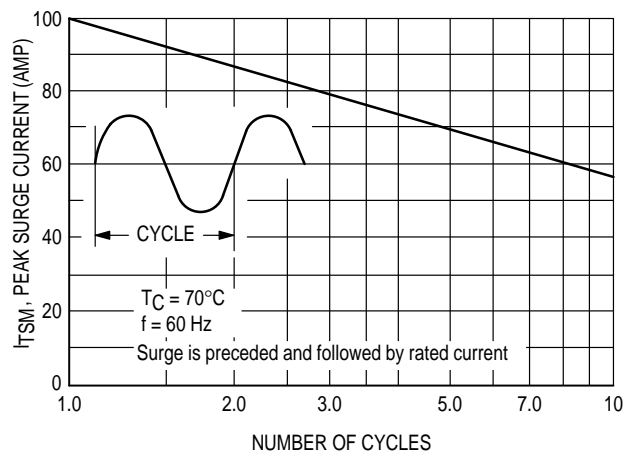


FIGURE 5 — TYPICAL GATE TRIGGER VOLTAGE

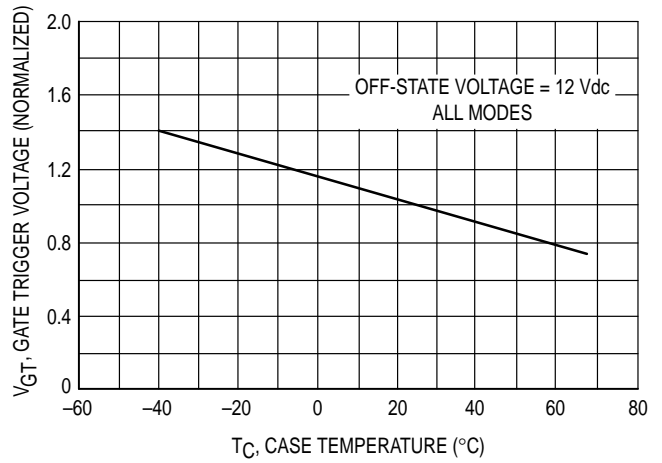


FIGURE 6 — TYPICAL GATE TRIGGER CURRENT

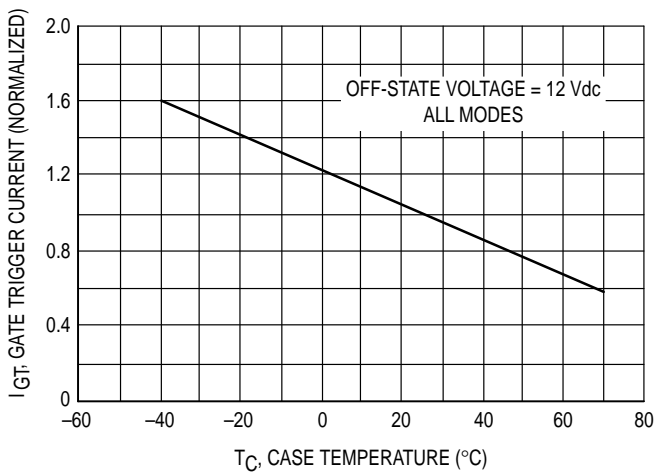


FIGURE 7 — TYPICAL HOLDING CURRENT

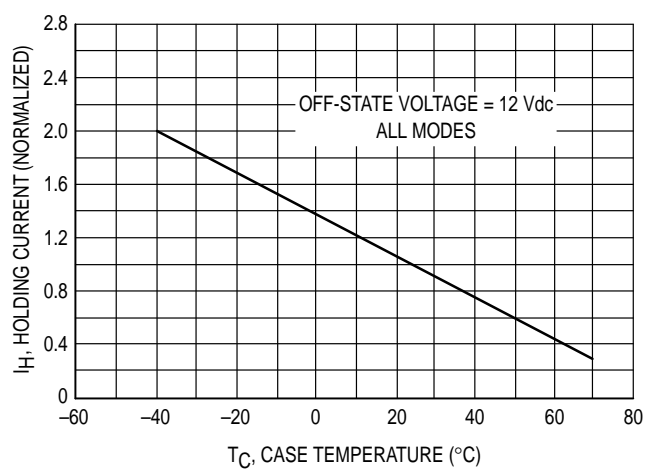


FIGURE 8 – THERMAL RESPONSE

