

# Charger CH-128JA (Custom product)

## OUTLINE

MITSUMI's charger with their abundant variations to cope with diverse environments of equipment world-wide. Many functions such as constant voltage output and switching of charging mode by discrimination of batteries. Improvement of charging rate by enhanced circuitry. Upgraded has been the security by way of complete function of the improvement of circuitry and by the detection of abnormal state. Future chargers with the performance that meets users' requirements. Complete custom production system will continue to allow for the optimal products.



## FEATURES

1. Charge in 2 hours.
2. With fault detect, and protect function.

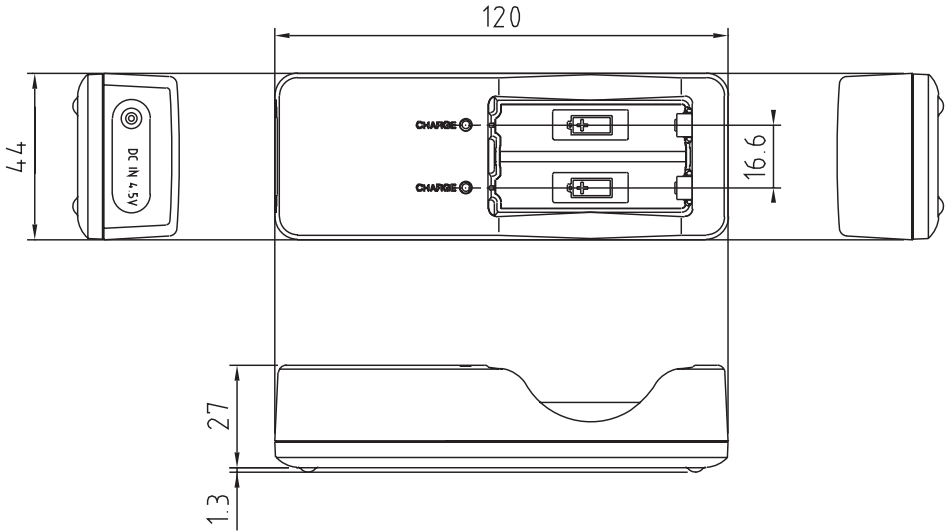
## SPECIFICATIONS

1. DC input of 4.5V.
2. For 2-cell pack of NiMH battery.
3. Constant-voltage/constant-current charge.
4. Individual fault detection of 2 pieces.

## USE

1. Charger for NiMH (UM-3) battery.

DIMENSION



Unit : mm