

**PRELIMINARY**

Notice: This is not a final specification.  
Some parametric limits are subject to change.

MITSUBISHI ICs (Monitor)

# M52745SP

## BUS CONTROLLED 3-CHANNEL VIDEO PREAMP FOR CRT DISPLAY MONITOR

### DESCRIPTION

M52745SP is semiconductor integrated circuit for CRT display monitor.

It includes OSD blanking, OSD mixing, retrace blanking, wide band amplifier, brightness control, uniformity function.

Main/sub contrast and OSD adjust function can be controlled by I<sup>2</sup>C bus.

### FEATURES

- Frequency band width: RGB.....200MHz (at -3dB)  
OSD.....80MHz
- Input :RGB.....0.7V<sub>P-P</sub> (typ.)  
OSD.....3V<sub>P-P</sub> minimum (positive)  
BLK (for OSD).....3V<sub>P-P</sub> minimum (positive)  
Retrace BLK.....3V<sub>P-P</sub> minimum (positive)
- Output :RGB.....5.5V<sub>P-P</sub> (max.)  
OSD.....5V<sub>P-P</sub> (max.)
- Main contrast and sub contrast can be controlled by I<sup>2</sup>C bus.
- Include internal and external pedestal clamp circuit

### STRUCTURE

Bipolar silicon monolithic IC

### APPLICATION

CRT display monitor

### RECOMMENDED OPERATING CONDITION

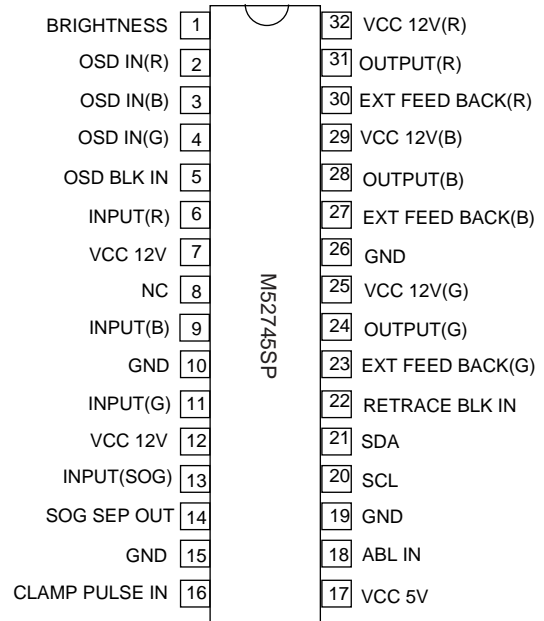
Supply voltage range.....11.5 to 12.5V (V7, V12, V25, V29, V32)  
4.5 to 5.5V (V17)

Rated supply voltage.....12.0V (V7, V12, V25, V29, V32)  
5.0V (V17)

### MAJOR SPECIFICATION

Bus controlled 3ch video pre-amp with OSD mixing function and retrace blanking function

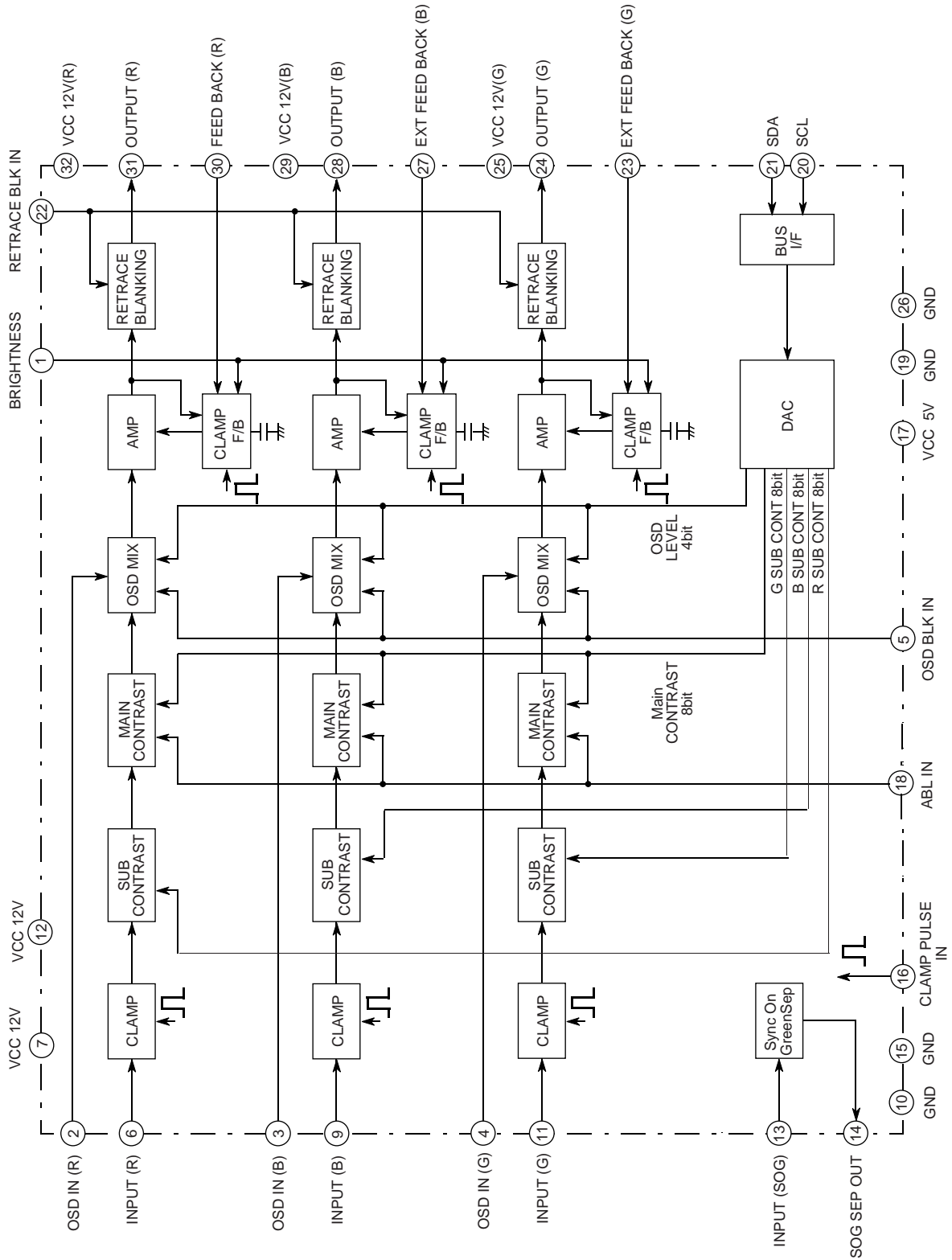
### PIN CONFIGURATION (TOP VIEW)



Outline 32P4B

**BUS CONTROLLED 3-CHANNEL VIDEO PREAMP FOR CRT DISPLAY MONITOR**

**BLOCK DIAGRAM**



**PRELIMINARY**  
 Notice: This is not a final specification.  
 Some parametric limits are subject to change.

**M52745SP**

**BUS CONTROLLED 3-CHANNEL VIDEO PREAMP FOR CRT DISPLAY MONITOR**

**ABSOLUTE MAXIMUM RATINGS** (Ta=25°C)

Symbol	Parameter	Ratings	Unit
Vcc	Supply voltage	13.0	V
Pd	Power dissipation	2358	mW
Topr	Ambient temperature	-20 to +85	°C
Tstg	Storage temperature	-40 to +150	°C
Vopr	Recommended supply	12.0	V
Vopr'	Voltage range	10.5 to 12.5	V

**ELECTRICAL CHARACTERISTICS** (Vcc=12V, 5V, Ta=25°C, unless otherwise noted)

Symbol	Parameter	Test point (s)	Input							CTL voltage		BUS CTL (H)										Limits			Unit
			6,9,11 RGB in	5 OSD BLK	2,3,4 OSD in	16 CP in	22 ReT BLK	13 SOG in	1 Bright	18 ABL	00H Main cont	01H Sub cont R	02H Sub cont G	03H Sub cont B	04H OSD Adj	05H INT EXT	Min.	Typ.	Max.						
Icc1	Circuit current1	IA	a	a	a	b SG5	a	a	4.0	5.0	FFH 255	FFH 255	FFH 255	FFH 255	00H 0	00H 0	-	110	130	mA					
Icc2	Circuit current2	IB	a	a	a	b SG5	a	a	4.0	5.0							-	18	25	mA					
Vomax	Output dynamic range	OUT	b SG2	a	a	b SG5	a	a	Variable	5.0							6.0	8.0	-	VP-P					
Vimax	Maximum input	IN OUT	b SG2 Variable	a	a	b SG5	a	a	2.0	5.0	64H 100						1.6	-	-	VP-P					
Gv	Maximum gain	OUT	b SG1	a	a	b SG5	a	a	2.0	5.0	FFH 255						17.1	17.7	19.4	dB					
Gv	Relative maximum gain	-	-	-	-	-	-	-	-	-							0.8	1.0	1.2	-					
Vc1	Main contrast control characteristics1	OUT	b SG1	a	a	b SG5	a	a	2.0	5.0	C8H 200						15.0	16.5	18.0	dB					
Vc1	Main contrast control relative characteristics1	-	-	-	-	-	-	-	-	-							0.8	1.0	1.2	-					
Vc2	Main contrast control characteristics2	OUT	b SG1	a	a	b SG5	a	a	2.0	5.0	64H 100						9.0	10.5	12.0	dB					
Vc2	Main contrast control relative characteristics2	-	-	-	-	-	-	-	-	-							0.8	1.0	1.2	-					
Vc3	Main contrast control characteristics3	OUT	b SG1	a	a	b SG5	a	a	2.0	5.0	14H 20						0.1	0.3	0.5	VP-P					
Vc3	Main contrast control relative characteristics3	-	-	-	-	-	-	-	-	-							0.8	1.0	1.2	-					
Vsc1	Sub contrast control characteristics1	OUT	b SG1	a	a	b SG5	a	a	2.0	5.0	FFH 255	C8H 200	C8H 200	C8H 200			15.5	16.5	18.0	dB					
Vsc1	Sub contrast control relative characteristics1	-	-	-	-	-	-	-	-	-							0.8	1.0	1.2	-					
Vsc2	Sub contrast control characteristics2	OUT	b SG1	a	a	b SG5	a	a	2.0	5.0	FFH 255	64H 100	64H 100	64H 100			9.5	11.0	12.5	dB					
Vsc2	Sub contrast control relative characteristics2	-	-	-	-	-	-	-	-	-							0.8	1.0	1.2	-					
Vsc3	Sub contrast control characteristics3	OUT	b SG1	a	a	b SG5	a	a	2.0	5.0	FFH 255	14H 20	14H 20	14H 20			0	0.2	0.5	VP-P					
Vsc3	Sub contrast control relative characteristics3	-	-	-	-	-	-	-	-	-							0.8	1.0	1.2	-					





#### ELECTRICAL CHARACTERISTICS (cont.)

TDS-F TDS-R	Parameter	Test point (s)	Input							CTL voltage		BUS CTL (H)										Limits			Unit				
			6,9,11 RGB in	5 OSD BLK	2,3,4 OSD in	16 CP in	22 ReT BLK	13 SOG in	1 Bri- ght	18 ABL	00H Main cont	01H Sub cont R	02H Sub cont G	03H Sub cont B	04H OSD Adj	05H INT ENT										Min.	Typ.	Max.	
ICCPS	Sync output lo level	Sync OUT	a	a	a	a	a	a	b SG4	2.0	5.0															0	0.3	0.6	V
SKV	Sync output delay time1	Sync OUT	a	a	a	a	a	a	b SG4	2.0	5.0															0	60	90	ns
	Sync output delay time2	Sync OUT	a	a	a	a	a	a	b SG4	2.0	5.0															0	60	90	ns
	Power save circuit current	Ips	a	a	a	b SG5	a	a		4.0	5.0	FFH 255	FFH 255	FFH 255	FFH 255	00H 0	00H 0									-	22	30	mA
	Spot killer voltage	<sup>12V</sup> system voltage	b SG1	a	a	b SG5	a	a		2.0	5.0	FFH 255	FFH 255	FFH 255	FFH 255	00H 0	00H 0									9.4	10.0	10.4	V

#### ELECTRICAL CHARACTERISTICS TEST METHOD

##### ICC1 Circuit current1

Measuring conditions are as listed in supplementary Table.  
Measured with a current meter at test point IA.

##### ICC2 Circuit current2

Measuring conditions are as listed in supplementary Table.  
Measured with a current meter at test point IB.

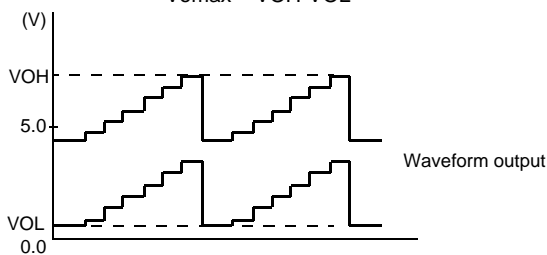
##### Vomax Output dynamic range

Decrease V1 gradually, and measure the voltage when the waveform output is distorted. The voltage is called VOL.

Next, increase V1 gradually, and measure the voltage when the top of waveform output is distorted. The voltage is called VOH.

Voltage Vomax is calculated by the equation below:

$$Vomax = VOH - VOL$$



##### Vimax Maximum input

Increase the input signal (SG2) amplitude gradually, starting from 700mV<sub>P-P</sub>. Measure the amplitude of the input signal when the output signal starts becoming distorted.

##### Gv Maximum gain

Input SG1, and read the amplitude output at OUT (24, 28, 31). The amplitude is called VOUT (24, 28, 31). Maximum gain Gv is calculated by the equation below:

$$Gv = 20 \log \frac{VOUT}{0.7} \text{ (dB)}$$

##### Gv Relative maximum gain

Relative maximum gain DGv is calculated by the equation below:

$$Gv = \frac{VOUT(24)}{VOUT(28)},$$

$$\frac{VOUT(28)}{VOUT(31)},$$

$$\frac{VOUT(31)}{VOUT(24)}$$

##### Vc1 Main contrast control characteristics1

Measuring the amplitude output at OUT (24, 28, 31). The measured value is called VOUT (24, 28, 31). Main contrast control characteristics Vc1 is calculated by the equation below:

$$Vc1 = 20 \log \frac{VOUT}{0.7} \text{ (dB)}$$

##### Vc1 Main contrast control relative characteristics1

Relative characteristics Vc1 is calculated by the equation below:

$$Vc1 = \frac{VOUT(24)}{VOUT(28)},$$

$$\frac{VOUT(28)}{VOUT(31)},$$

$$\frac{VOUT(31)}{VOUT(24)}$$

##### Vc2 Main contrast control characteristics2

Measuring condition and procedure are the same as described in Vc1.

##### Vc2 Main contrast control relative characteristics2

Measuring condition and procedure are the same as described in Vc1.

**BUS CONTROLLED 3-CHANNEL VIDEO PREAMP FOR CRT DISPLAY MONITOR**

---

**Vc3 Main contrast control characteristics3**

Measuring the amplitude output at OUT (24, 28, 31).

The measured value is called VOUT (24, 28, 31).

**Vc3 Main contrast control relative characteristics3**

Measuring condition and procedure are the same as described in Vc1.

**Vsc1 Sub contrast control characteristics1**

Measure the amplitude output at OUT (24,28,31). The measured value is called VOUT (24, 28, 31). Sub contrast control characteristics Vsc1 is calculated by the equation below:

$$V_{sc1} = 20 \log \frac{V_{OUT}}{0.7} \text{ (dB)}$$

**Vsc1 Sub contrast control relative characteristics1**

Relative characteristics Vsc1 is calculated by the equation below:

$$V_{sc1} = \frac{V_{OUT} (24)}{V_{OUT} (28)}, \\ \frac{V_{OUT} (28)}{V_{OUT} (31)}, \\ \frac{V_{OUT} (31)}{V_{OUT} (24)}.$$

**Vsc2 Sub contrast control characteristics2**

Measuring condition and procedure are the same as described in Vsc1.

**Vsc2 Sub contrast control relative characteristics2**

Measuring condition and procedure are the same as described in Vsc1.

**Vsc3 Sub contrast control characteristics3**

Measuring the amplitude output at OUT (24,28,31).

The measured value is called VOUT (24, 28, 31).

**Vsc3 Sub contrast control relative characteristics3**

Measuring condition and procedure are the same as described in Vsc1.

**VMSC Main/sub contrast control characteristics**

Measure the amplitude output at OUT (24, 28, 31). The measured value is called VOUT (24, 28, 31). Main/Sub contrast control characteristics VMSC is calculated by the equation below:

$$VMSC = 20 \log \frac{V_{OUT}}{0.7} \text{ (dB)}$$

**VMSC Main/sub contrast control relative characteristics**

Relative characteristics VMSC is calculated by the equation below:

$$VMSC = \frac{V_{OUT} (24)}{V_{OUT} (28)}, \\ \frac{V_{OUT} (28)}{V_{OUT} (31)}, \\ \frac{V_{OUT} (31)}{V_{OUT} (24)}$$

**ABL1 ABL control characteristics1**

Measure the amplitude output at OUT (24,28,31). The measured value is called VOUT (24,28,31), and is treated as ABL1.

**ABL1 ABL control relative characteristics1**

Relative characteristics ABL1 is calculated by the equation below:

$$ABL1 = \frac{V_{OUT} (24)}{V_{OUT} (28)}, \\ \frac{V_{OUT} (28)}{V_{OUT} (31)}, \\ \frac{V_{OUT} (31)}{V_{OUT} (24)}$$

**ABL2 ABL control characteristics2**

Measuring condition and procedure are the same as described in ABL1.

**ABL2 ABL control relative characteristics2**

Measuring condition and procedure are the same as described in ABL1.

**Vb1 Brightness control characteristics1**

Measure the DC voltage at OUT (24, 28, 31) with a voltmeter. The measured value is called VOUT (24, 28, 31), and is treated as Vb1.

**Vb1 Brightness control relative characteristics1**

Relative characteristics Vb1 is calculated by the difference in the output between the channels.

$$V_{b1} = V_{OUT} (24) - V_{OUT} (28), \\ V_{OUT} (28) - V_{OUT} (31), \\ V_{OUT} (31) - V_{OUT} (24)$$

**Vb2 Brightness control characteristics2**

Measuring condition and procedure are the same as described in Vb1.

**Vb2 Brightness control relative characteristics2**

Measuring condition and procedure are the same as described in Vb1.

**Vb3 Brightness control characteristics3**

Measuring condition and procedure are the same as described in Vb1.

**Vb3 Brightness control relative characteristics3**

Measuring condition and procedure are the same as described in Vb1.

**BUS CONTROLLED 3-CHANNEL VIDEO PREAMP FOR CRT DISPLAY MONITOR**

**Fc1 Frequency characteristics1 (f=50MHz)**

First, SG3 to 1MHz is as input signal. Input a resistor that is about 2k to offer the voltage at input pins (6, 9, 11) in order that the bottom of input signal is 2.5V. Control the main contrast in order that the amplitude of sine wave output is 4.0V<sub>P-P</sub>. Control the brightness in order that the bottom of sine wave output is 2.0V<sub>P-P</sub>. By the same way, measure the output amplitude when SG3 to 50MHz is as input signal. The measured value is called VOUT (24, 28, 31). Frequency characteristics Fc1 (24, 28, 31) is calculated by the equation below:

$$Fc1=20\log\frac{VOUT\ V_{P-P}}{\text{Output amplitude when inputted SG3 (1MHz):}4V_{P-P}}\text{ (dB)}$$

**Fc1 Frequency relative characteristics1 (f=50MHz)**

Relative characteristics Fc1 is calculated by the difference in the output between the channels.

**Fc1' Frequency characteristics1 (f=150MHz)**

Measuring condition and procedure are the same as described in table, expect SG3 to 150MHz.

**Fc1' Frequency relative characteristics1 (f=150MHz)**

Relative characteristics Fc1' is calculated by the difference in the output between the channels.

**Fc2 Frequency characteristics2 (f=150MHz)**

SG3 to 1MHz is as input signal. Control the main contrast in order that the amplitude of sine wave output is 1.0V<sub>P-P</sub>. By the same way, measure the output amplitude when SG3 to 150MHz is as input signal.

The measured value is called VOUT (24, 28, 31). Frequency characteristics Fc2 (24, 28, 31) is calculated by the equation below:

$$Fc2=20\log\frac{VOUT\ V_{P-P}}{\text{Output amplitude when inputted SG3 (1MHz):}4V_{P-P}}\text{ (dB)}$$

**Fc2 Frequency relative characteristics2 (f=150MHz)**

Relative characteristics Fc2 is calculated by the difference in the output between the channels.

**C.T.1 Crosstalk1 (f=50MHz)**

Input SG3 (50MHz) to pin2 only, and then measure the waveform amplitude output at OUT (24, 28, 31). The measured value is called VOUT (24, 28, 31). Crosstalk C.T.1 is calculated by the equation below:

$$C.T.1=20\log\frac{VOUT\ (24, 31)}{VOUT\ (28)}\text{ (dB)}$$

**C.T.1' Crosstalk1 (f=150MHz)**

Measuring condition and procedure are the same as described in C.T.1, expect SG3 to 150MHz.

**C.T.2 Crosstalk2 (f=50MHz)**

Input SG3 (50MHz) to pin6 only, and then measure the waveform amplitude output at OUT (24, 28, 31). The measured value is called VOUT (24, 28, 31). Crosstalk C.T.2 is calculated by the equation below:

$$C.T.2=20\log\frac{VOUT\ (24, 31)}{VOUT\ (28)}\text{ (dB)}$$

**C.T.2' Crosstalk2 (f=150MHz)**

Measuring condition and procedure are the same as described in C.T.2, expect SG3 to 150MHz.

**C.T.3 Crosstalk3 (f=50MHz)**

Input SG3 (50MHz) to pin11 only, and then measure the waveform amplitude output at OUT (24, 28, 31). The measured value is called VOUT (24, 28, 31). Crosstalk C.T.3 is calculated by the equation below:

$$C.T.3=20\log\frac{VOUT\ (28, 31)}{VOUT\ (24)}\text{ (dB)}$$

**C.T.3' Crosstalk3 (f=150MHz)**

Measuring condition and procedure are the same as described in C.T.3, expect SG3 to 150MHz.

**Tr Pulse characteristics1 (4V<sub>P-P</sub>)**

Control the main contrast (00H) in order that the amplitude of output signal is 4.0V<sub>P-P</sub>.

Control the brightness (V1) in order that the Black level of output signal is 2.0V.

Measure the time needed for the input pulse to rise from 10% to 90% (Tr1) and for the output pulse to rise from 10% to 90% (Tr2) with an active probe.

Pulse characteristics Tr is calculated by the equations below :

$$Tr = \sqrt{[(Tr2)^2 - (Tr1)^2]}$$

**Tr Relative pulse characteristics1**

Relative characteristics Tr is calculated by the difference in the output between the channels.

**Tf Pulse characteristics2 (4V<sub>P-P</sub>)**

Measure the time needed for the input pulse to fall from 90% to 10% (Tf1) and for the output pulse to fall from 90% to 10% (Tf2) with an active probe.

Pulse characteristics Tf is calculated by the equations below :

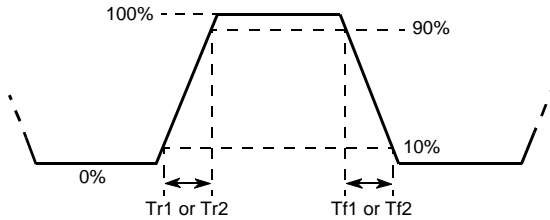
$$Tf = \sqrt{[(Tf2)^2 - (Tf1)^2]}$$



**BUS CONTROLLED 3-CHANNEL VIDEO PREAMP FOR CRT DISPLAY MONITOR**

**Tf Relative pulse characteristics2**

Relative characteristics Tf is calculated by the difference in the output between the channels.



**VthCP Clamp pulse threshold voltage**

Turn down the SG5 input level gradually from 5.0VP-P, monitoring the waveform output.

Measure the top level of input SG5 at when the output pedestal level is start to going down or unstable.

**WCP Clamp pulse minimum width**

Decrease the SG5 pulse width gradually from 0.5 μs, monitoring the output. Measure the input SG5 pulse width (a point of 1.5V) when the output pedestal voltage turn decrease with unstable.

**P<sub>DCH</sub> Pedestal voltage temperature characteristic1**

Measure the pedestal voltage at 25°C. The measured value is called PDC1.

Measure the pedestal voltage at temperature of -20°C. The measured value is called PDC2.

Pedestal voltage temperature characteristics 1 is calculated by the equation below:

$$P_{DCH} = PDC1 - PDC2$$

**P<sub>DCH</sub> Pedestal voltage temperature characteristic2**

Measure the pedestal voltage at 25°C. The measured value is called PDC1.

Measure the pedestal voltage at temperature of 75°C. The measured value is called PDC3.

Pedestal voltage temperature characteristics 2 is calculated by the equation below:

$$P_{DCH} = PDC1 - PDC3$$

**OTr OSD pulse characteristics1**

Measure the time needed for the output pulse to rise from 10% to 90% (OTR) with an active prove.

**OTf OSD pulse characteristics2**

Measure the time needed for the output pulse to fall from 90% to 10% (OTF) with an active prove.

**Oaj1 OSD adjust control characteristics1**

Measure the amplitude output at OUT (24, 28, 31). The measured value is called VOUT (24, 28, 31), and is treated as Oaj1.

**Oaj1 OSD adjust control relative characteristics1**

Relative characteristics Oaj1 is calculated by the equation below:

$$Oaj1 = \frac{VOUT(24)}{VOUT(28)},$$

$$\frac{VOUT(28)}{VOUT(31)},$$

$$\frac{VOUT(31)}{VOUT(24)}$$

**Oaj2 OSD adjust control characteristics2**

Measuring condition and procedure are the same as described in Oaj1.

**Oaj2 OSD adjust control relative characteristics2**

Measuring condition and procedure are the same as described in Oaj1.

**OBLK OSD adjust control characteristics3**

Measuring condition and procedure are the same as described in Oaj1.

**OBLK OSD adjust control relative characteristics3**

Measuring condition and procedure are the same as described in Oaj1.

**VthOSD OSD input threshold voltage**

Reduce the SG6 input level gradually, monitoring output. Measure the SG6 level when the output reaches 0V. The measured value is called VthOSD.

**VthBLK OSD BLK input threshold voltage**

Confirm that output signal is being blanked by the SG6 at the time. Monitoring to output signal, decreasing the level of SG6. Measure the top level of SG6 when the blanking period is disappeared. The measured value is called VthBLK.

**VthRET Retrace BLK input threshold voltage**

Confirm that output signal is being blanked by the SG7 at the time. Monitoring to output signal, decreasing the level of SG7. Measure the top level of SG7 when the blanking period is disappeared. The measured value is called VthRET.

### BUS CONTROLLED 3-CHANNEL VIDEO PREAMP FOR CRT DISPLAY MONITOR

#### SS-NV SOG input maximum noise voltage

The sync's amplitude of SG4 be changed all white into all black, increase from 0V<sub>P-P</sub> to 0.02V<sub>P-P</sub>. No pulse output permitted.

#### SS-SV SOG minimum input voltage

The sync's amplitude of SG4 be changed all white or all black, decrease from 0.3V<sub>P-P</sub> to 0.2V<sub>P-P</sub>. Confirm no malfunction produced by noise.

#### VSH Sync output hi level

Measure the high voltage at SyncOUT. The measured value is treated as VSH.

#### VSL Sync output lo level

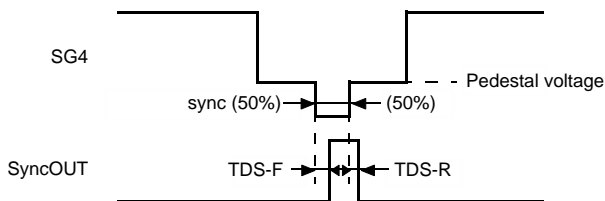
Measure the low voltage at SyncOUT. The measured value is treated as VSL.

#### TDS-F Sync output delay time1

SyncOUT becomes High with sync part of SG4.  
Measure the time needed for the front edge of SG4 sync to fall from 50% and for SyncOUT to rise from 50% with an active prove. The measured value is treated as TDS-F, less than 90nsec.

#### TDS-R Sync output delay time2

Measure the time needed for the rear edge of SG4 sync to rise from 50% and for SyncOUT to fall from 50% with an active prove. The measured value is treated as TDS-R, less than 90nsec.



#### VOH D/A H output voltage

Measure the DC voltage at D/AOUT. The measured value is treated as VOH.

#### VOL D/A L output voltage

Measure the DC voltage at D/AOUT. The measured value is treated as VOL.

#### IAO D/A output current range

Electric current flow from the output of D/AOUT must be less than 1.0mA.

Electric current flow into the output of D/AOUT must be more than 0.1mA .

#### DNL D/A nonlinearity

The difference of differential non-linearity of D/AOUT must be less than  $\pm 1.0$ LSB.

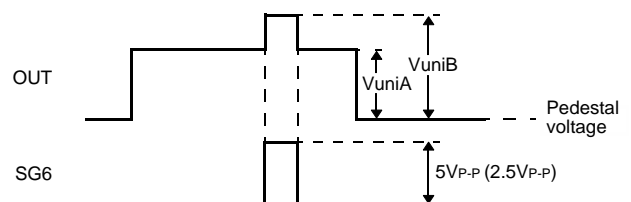
#### UNI1 Uniformity characteristics1

#### UNI1 Uniformity characteristics2

VuniA is amplitude output at OUT (24, 28, 31), when SG6 is low voltage. VuniB is amplitude output at OUT (24, 28, 31), when SG6 is high voltage.

moduration ratio UNI (UNI2) is calculated by the equation below;

$$UNI1 (UNI2) = 100 \cdot (V_{uniB} / V_{uniA} - 1) (\%)$$



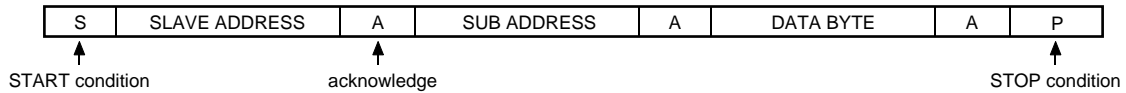
### BUS CONTROLLED 3-CHANNEL VIDEO PREAMP FOR CRT DISPLAY MONITOR

#### I<sup>2</sup>C-BUS PROTOCOL

(1) Slave address

D7	D6	D5	D4	D3	D2	D1	R/W	
1	0	0	0	1	0	0	0	=88H

(2) Slave receiver format



(3) Sub address byte and data byte format

Function	bit	sub add.	Data byte (top:byte format under:start condition)							
			D7	D6	D5	D4	D3	D2	D1	D0
Main contrast	8	00H	A07	A06	A05	A04	A03	A02	A01	A00
			0	1	0	0	0	0	0	0
Sub contrast R	8	01H	A17	A16	A15	A14	A13	A12	A11	A10
			1	0	0	0	0	0	0	0
Sub contrast G	8	02H	A27	A26	A25	A24	A23	A22	A21	A20
			1	0	0	0	0	0	0	0
Sub contrast B	8	03H	A37	A36	A35	A34	A33	A32	A31	A30
			1	0	0	0	0	0	0	0
OSD level	4	04H	-	-	-	-	A43	A42	A41	A40
			0	0	0	0	1	0	0	0
Pedestal clamp INT/EXT SW	1	05H	-	-	-	-	-	-	-	A50
			0	0	0	0	0	0	0	0

Notes) pedestal level INT/EXT SW  
0 → INT    1 → EXT

**PRELIMINARY**

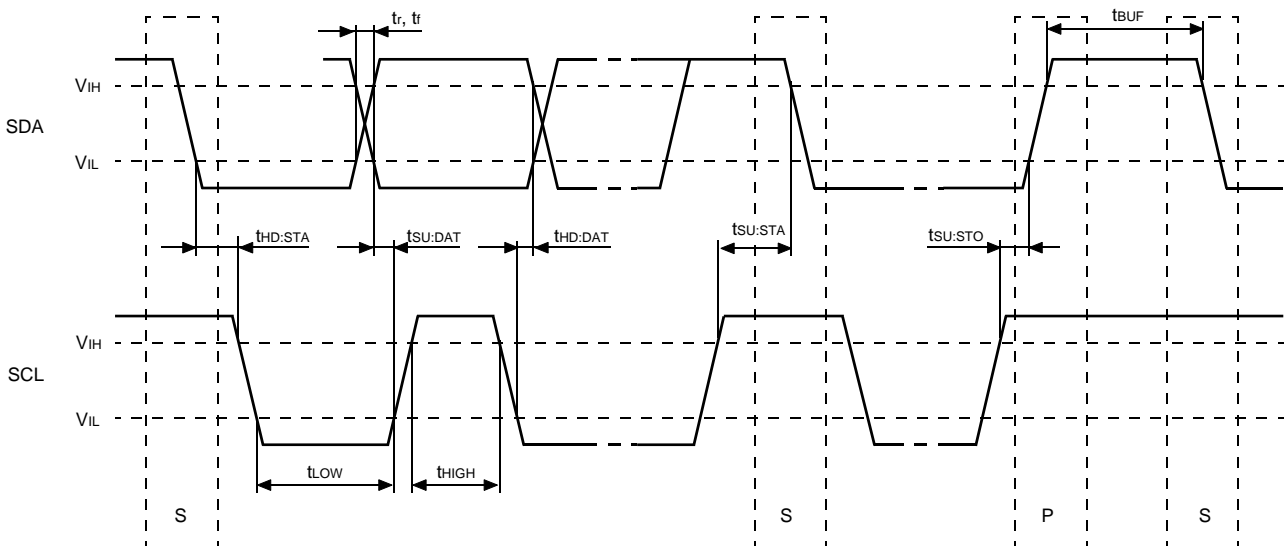
Notice: This is not a final specification.  
Some parametric limits are subject to change.

**BUS CONTROLLED 3-CHANNEL VIDEO PREAMP FOR CRT DISPLAY MONITOR**

**TIMING REQUIREMENT OF I<sup>2</sup>C**

Symbol	Parameter	Min.	Max.	Unit
V <sub>IL</sub>	Input voltage LOW	-0.5	1.5	V
V <sub>IH</sub>	Input voltage HIGH	3.0	5.5	V
f <sub>SCL</sub>	SCL clock frequency	0	100	kHz
t <sub>BUF</sub>	Time the bus must be free before a new transmission can start	4.7	-	μs
t <sub>HD:STA</sub>	Hold time start condition. After this period the first clock pulse is generated	4.0	-	μs
t <sub>LOW</sub>	The LOW period of the clock	4.7	-	μs
t <sub>HIGH</sub>	The HIGH period of the clock	4.0	-	μs
t <sub>SU:STA</sub>	Set up time for start condition (Only relevant for a repeated start condition)	4.7	-	μs
t <sub>HD:DAT</sub>	Hold time for I <sup>2</sup> C devices	0	-	μs
t <sub>SU:DAT</sub>	Set-up time DATA	250	-	ns
t <sub>r</sub>	Rise time of both SDA and SCL	-	1000	ns
t <sub>f</sub>	Fall time of both SDA and SCL	-	300	ns
t <sub>SU:STO</sub>	Set-up time for stop condition	4.0	-	μs

**TIMING DIAGRAM**



### BUS CONTROLLED 3-CHANNEL VIDEO PREAMP FOR CRT DISPLAY MONITOR

#### INPUT SIGNAL

SG No.	Signals
SG1 Video signal (all white)	<p>Pulse with amplitude of <math>0.7V_{P-P}</math> (<math>f=30kHz</math>). Video width of <math>25\mu s</math>. (75%)</p>
SG2 Video signal (step wave)	<p><math>0.7V_{P-P}</math> (Amplitude is variable.)</p>
SG3 Sine wave (for freq. char.)	<p>Sine wave amplitude of <math>0.7V_{P-P}</math>. <math>f=1MHz, 50MHz, 200MHz</math> (variable)</p>
SG4 Video signal (all white, all black)	<p>Video width of <math>25\mu s</math>. (75%)</p> <p><math>0.7V_{P-P}</math> <math>0.3V_{P-P}</math> all white or all black variable. Sync's amplitude is variable.</p>
SG5 Clamp pulse	<p>Pulse width and amplitude are variable.</p> <p><math>0.5\mu s</math> <math>5V_{TTL}</math></p>
SG6 OSD pulse	<p><math>5\mu s</math> <math>5V_{TTL}</math> or <math>3V_{TTL}</math> Amplitude is variable.</p>
SG7 BLK pulse	<p><math>5\mu s</math> <math>5V_{TTL}</math> Amplitude is variable.</p>

\*)  $f=30kHz$

**PRELIMINARY**

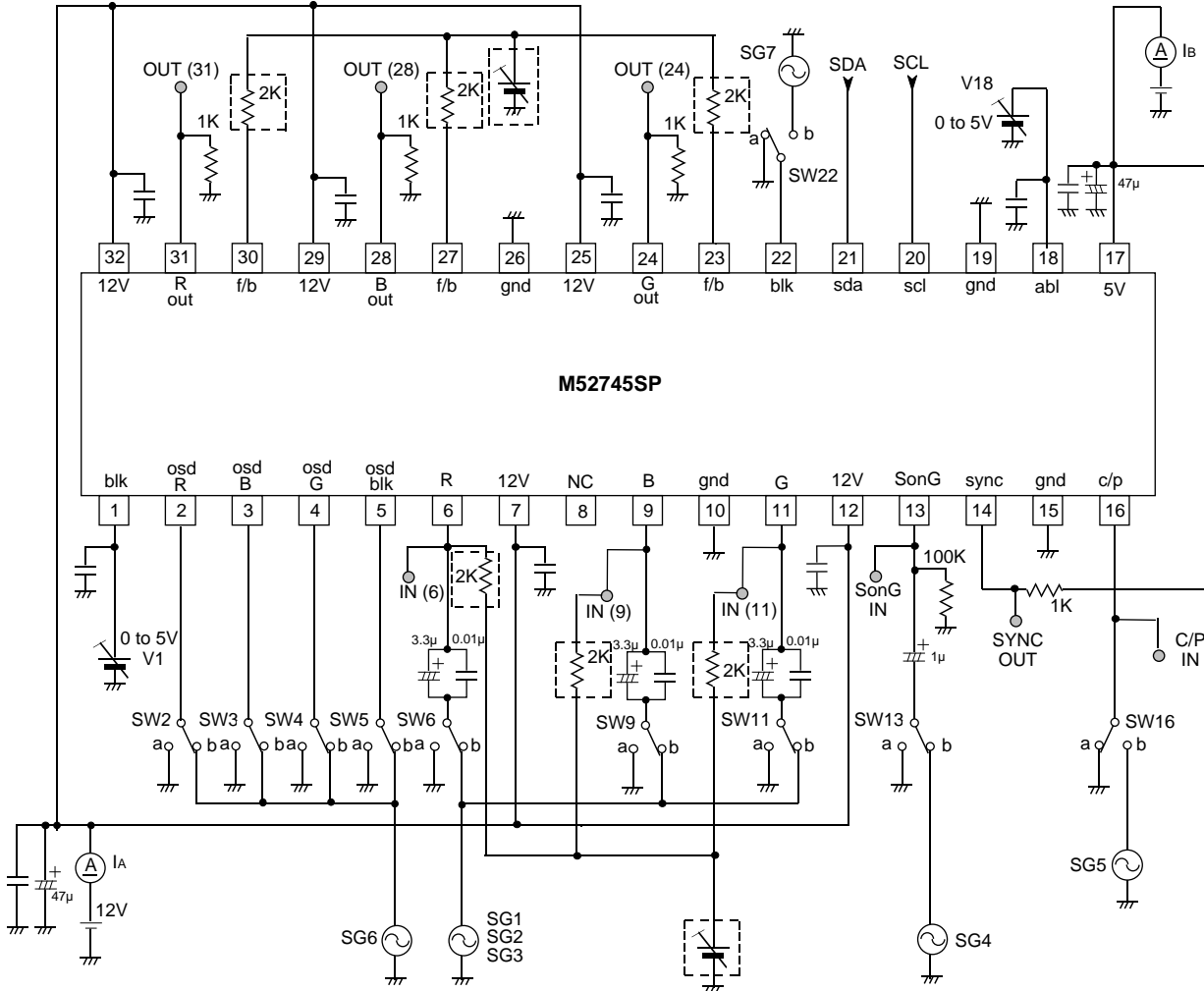
Notice: This is not a final specification.  
Some parametric limits are subject to change.

MITSUBISHI ICs (Monitor)

**M52745SP**

**BUS CONTROLLED 3-CHANNEL VIDEO PREAMP FOR CRT DISPLAY MONITOR**

**TEST CIRCUIT**



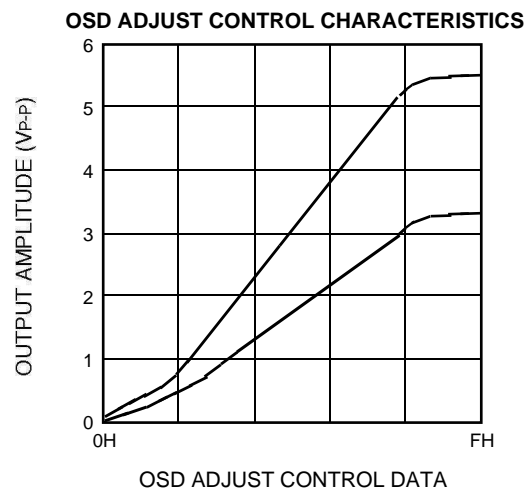
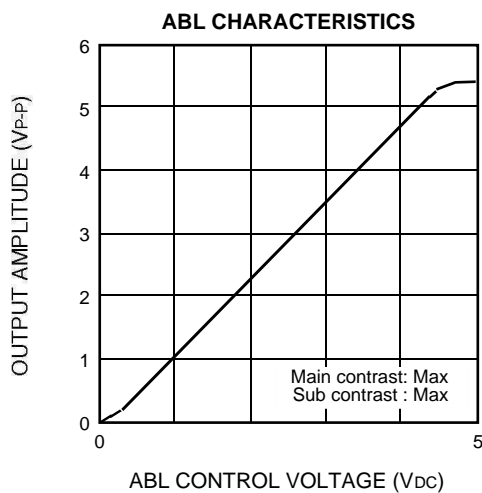
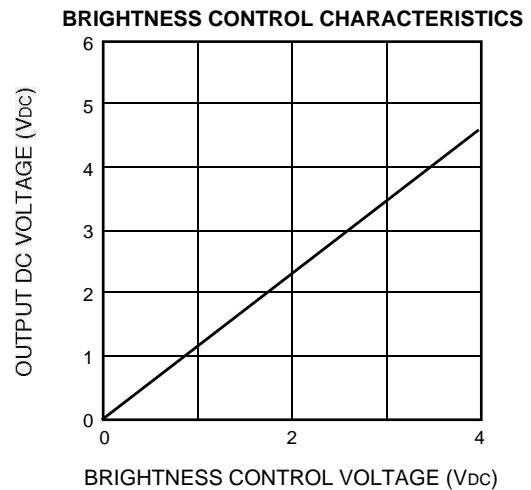
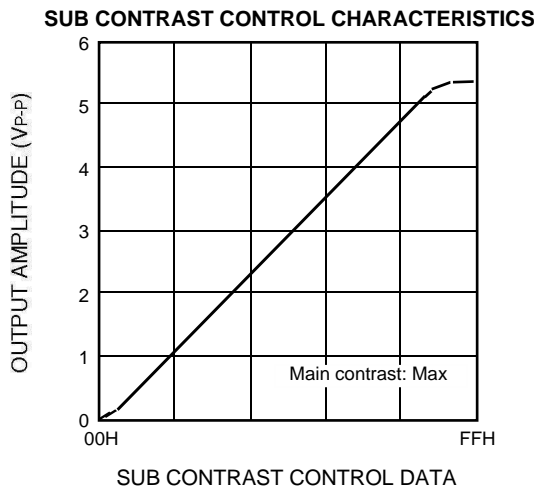
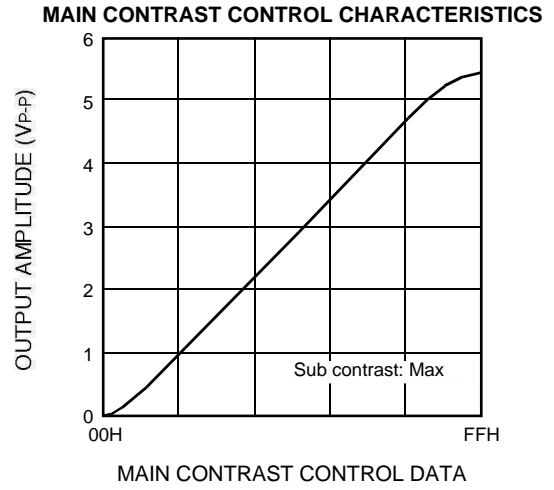
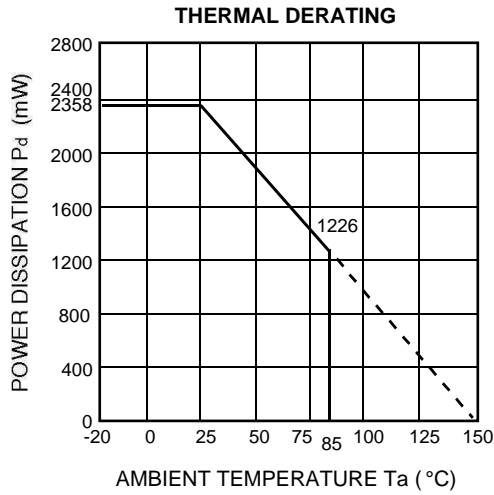
○ : MEASURE POINT

\* Capacitor : 0.01μF (unless otherwise specified.)

Units Resistance :  
Capacitance : F

### BUS CONTROLLED 3-CHANNEL VIDEO PREAMP FOR CRT DISPLAY MONITOR

#### TYPICAL CHARACTERISTICS



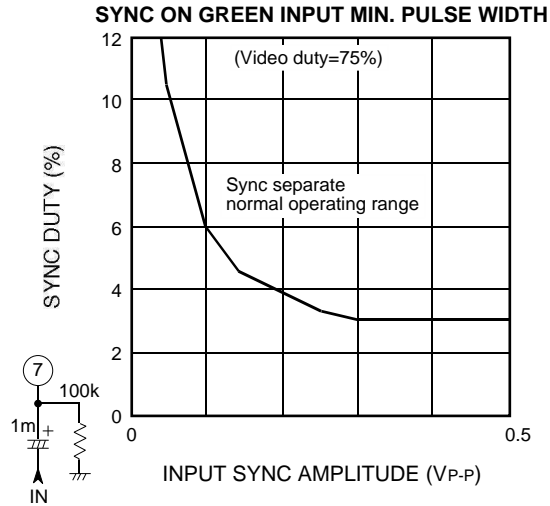
**PRELIMINARY**

Notice: This is not a final specification.  
Some parametric limits are subject to change.

MITSUBISHI ICs (Monitor)

**M52745SP**

**BUS CONTROLLED 3-CHANNEL VIDEO PREAMP FOR CRT DISPLAY MONITOR**





**PRELIMINARY**

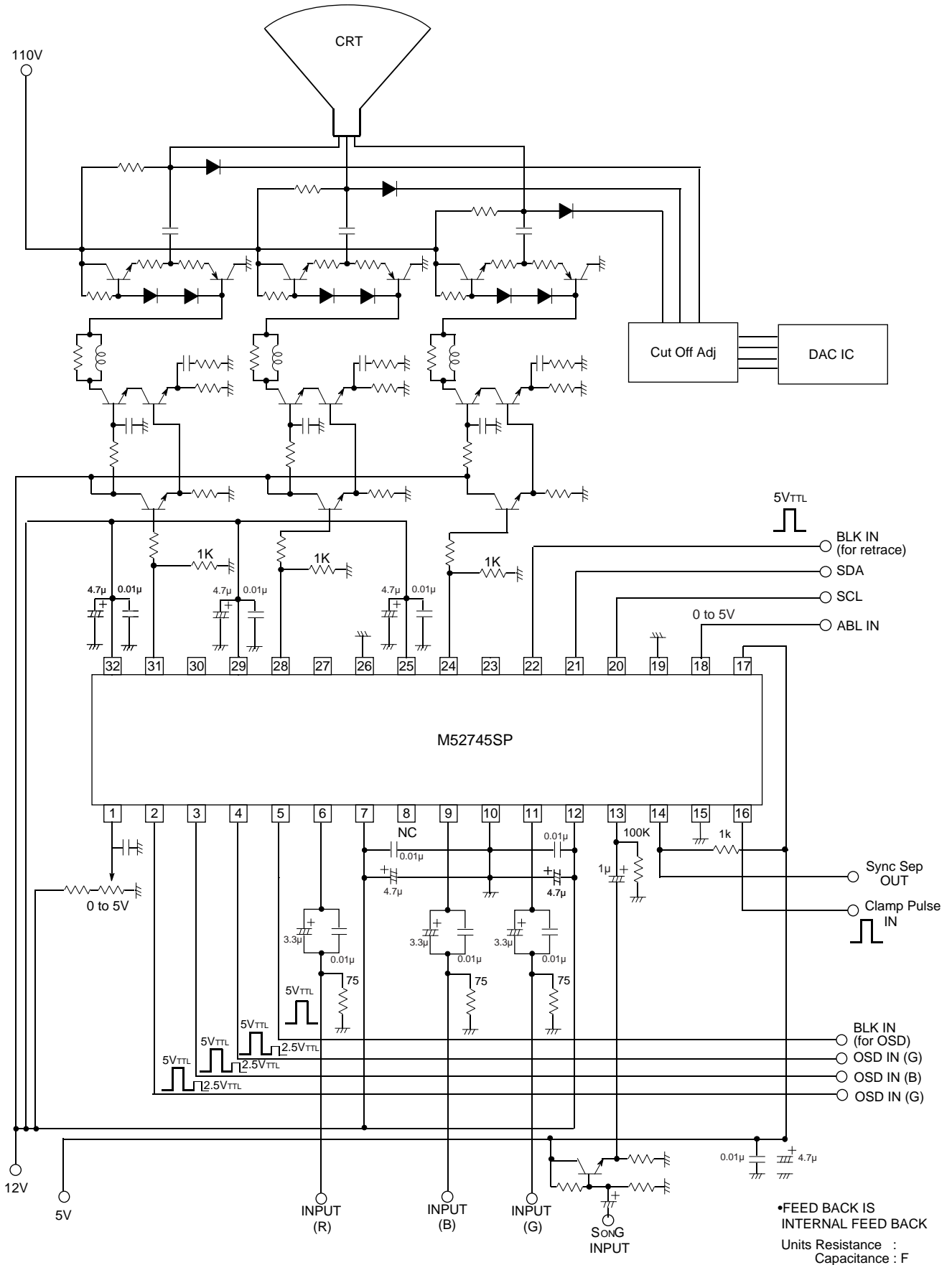
Notice: This is not a final specification.  
Some parametric limits are subject to change.

MITSUBISHI ICs (Monitor)

**M52745SP**

**BUS CONTROLLED 3-CHANNEL VIDEO PREAMP FOR CRT DISPLAY MONITOR**

**APPLICATION EXAMPLE**



**PRELIMINARY**

Notice: This is not a final specification.  
Some parametric limits are subject to change.

MITSUBISHI ICs (Monitor)

**M52745SP**

**BUS CONTROLLED 3-CHANNEL VIDEO PREAMP FOR CRT DISPLAY MONITOR**

**DESCRIPTION OF PIN**

Pin No.	Name	DC voltage (V)	Peripheral circuit of pins	Description of function
5	OSD BLK IN	-		<ul style="list-style-type: none"> <li>•Input pulses</li> <li> </li> <li>•Connected to GND if not used.</li> </ul>
6 9 11	INPUT (R) INPUT (B) INPUT (G)	2.5		<ul style="list-style-type: none"> <li>•Clamped to about 2.5V due to clamp pulses from pin 16.</li> <li>•Input at low impedance.</li> </ul>
7 12	Vcc	12	-	<ul style="list-style-type: none"> <li>•Apply equivalent voltage to 3 channels.</li> </ul>
2 3 4	OSD IN (R) OSD IN (B) OSD IN (G)	-		<ul style="list-style-type: none"> <li>•Input pulses</li> <li> </li> <li>•Connected to GND if not used.</li> </ul>
10 15 19 26	GND	GND	-	
13	INPUT (S on G)	When open 2.5V		<ul style="list-style-type: none"> <li>•SYNC ON GREEN input pin for sync separation.</li> <li>•Sync is negative.</li> <li>•input signal at Pin7, compare with the reference voltage of internal circuit in order to separate sync signal.</li> <li>•When not used, set to OPEN.</li> </ul>

### BUS CONTROLLED 3-CHANNEL VIDEO PREAMP FOR CRT DISPLAY MONITOR

#### DESCRIPTION OF PIN (cont.)

Pin No.	Name	DC voltage (V)	Peripheral circuit of pins	Description of function
18	ABL IN	When open 2.5V		<ul style="list-style-type: none"> <li>•ABL (Automatic Beam Limiter) input pin. Recommended voltage range is 0 to 5V. When ABL function is not used, set to 5V.</li> </ul>
17	Vcc (5V)	5	-	
14	S on G Sep OUT	-		<ul style="list-style-type: none"> <li>•Sync signal output pin, Being of open collector output type.</li> </ul>
16	Clamp Pulse IN	-		<ul style="list-style-type: none"> <li>•Input pulses</li> <li> </li> <li>•Input at low impedance.</li> </ul>
20	SCL	-		<ul style="list-style-type: none"> <li>•SCL of I<sup>2</sup>C BUS (Serial clock line) V<sub>TH</sub>=2.3V</li> </ul>

**PRELIMINARY**

Notice: This is not a final specification.  
Some parametric limits are subject to change.

**BUS CONTROLLED 3-CHANNEL VIDEO PREAMP FOR CRT DISPLAY MONITOR**

**DESCRIPTION OF PIN (cont.)**

Pin No.	Name	DC voltage (V)	Peripheral circuit of pins	Description of function
21	SDA	-		<ul style="list-style-type: none"> <li>•SDA of I<sup>2</sup>C BUS (Serial data line) V<sub>TH</sub>=2.3V</li> </ul>
22	Retrace BLK IN	-		<ul style="list-style-type: none"> <li>•Input pulses</li> <li> </li> <li>•Connected to GND if not used.</li> </ul>
23 27 30	EXT Feed Back (G) EXT Feed Back (B) EXT Feed Back (R)	Variable		
24 28 31	OUTPUT (G) OUTPUT (B) OUTPUT (R)	Variable		<ul style="list-style-type: none"> <li>•A resistor is needed on the GND side. Set discretionally to maximum 15mA, depending on the required driving capacity.</li> </ul>
25 29 32	Vcc2	12		<ul style="list-style-type: none"> <li>•Used to supply power to output emitter follower only.</li> </ul>

**M52745SP**

**BUS CONTROLLED 3-CHANNEL VIDEO PREAMP FOR CRT DISPLAY MONITOR**

**DESCRIPTION OF PIN (cont.)**

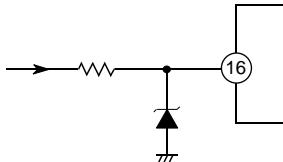
Pin No.	Name	DC voltage (V)	Peripheral circuit of pins	Description of function
1	Brightness	-		<ul style="list-style-type: none"> <li>It is recommended that the IC be used between pedestal voltage 2V and 3V.</li> </ul>

**APPLICATION METHOD FOR M52745SP**

**CLAMP PULSE INPUT**

Clamp pulse width is recommended  
 above 15kHz, 1.0μsec  
 above 30kHz, 0.5μsec  
 above 64kHz, 0.3μsec.

The clamp pulse circuit in ordinary set is a long round about way, and beside high voltage, sometimes connected to external terminal, it is very easy affected by large surge. Therefore, the Fig. shown right is recommended.

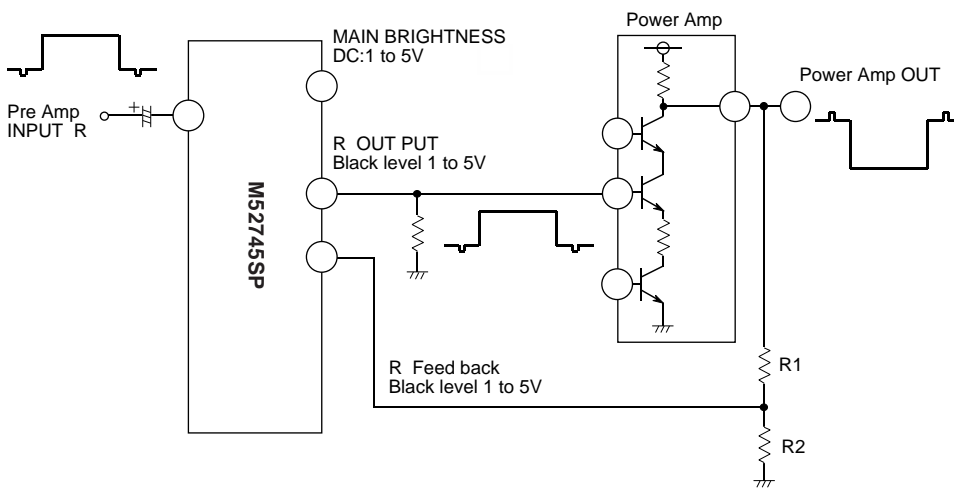


**NOTICE OF APPLICATION**

- Make the nearest distance between output pin and pull down resistor.
- Recommended pedestal voltage of IC output signal is 2V.

**EXT-FEED BACK**

In case of application circuit example of lower figure, Set up R1, R2 which seems that the black level of the signal feedbacked from Power AMP is 1V, when the bottom of output signal is 1V.



**EXT-FEED BACK APPLICATION CIRCUIT**