

PRELIMINARY

Notice: This is not a final specification.
Some parametric limits are subject to change.

M52742SP

BUS CONTROLLED 3-CHANNEL VIDEO PREAMP FOR CRT DISPLAY MONITOR

DESCRIPTION

M52742SP is semiconductor integrated circuit for CRT display monitor.

It includes OSD blanking, OSD mixing, retrace blanking, wide band amplifier, brightness control, uniformity function.

Main/sub contrast and OSD adjust function can be controlled by I²C bus.

FEATURES

- Frequency band width: RGB.....200MHz (at -3dB)
OSD.....80MHz
- Input : RGB.....0.7VP-P (typ.)
OSD.....3VP-P minimum (positive)
BLK (for OSD).....3VP-P minimum (positive)
Retrace BLK.....3VP-P minimum (positive)
- Output : RGB.....5.5VP-P (max.)
OSD.....5VP-P (max.)
- Main contrast and sub contrast can be controlled by I²C bus.
- Include internal and external pedestal clamp circuit

STRUCTURE

Bipolar silicon monolithic IC

APPLICATION

CRT display monitor

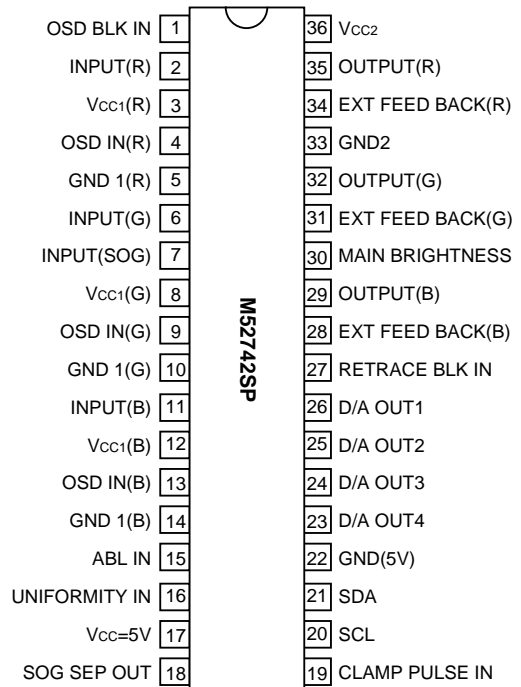
RECOMMENDED OPERATING CONDITION

Supply voltage range.....11.5 to 12.5V (V3, V8, V12, V36)
4.5 to 4.4V (V17)
Rated supply voltage.....12.0V (V3, V8, V12, V36)
5.0V (V17)

MAJOR SPECIFICATION

Bus controlled 3ch video pre-amp with OSD mixing function and retrace blanking function

PIN CONFIGURATION (TOP VIEW)



Outline 36P4E

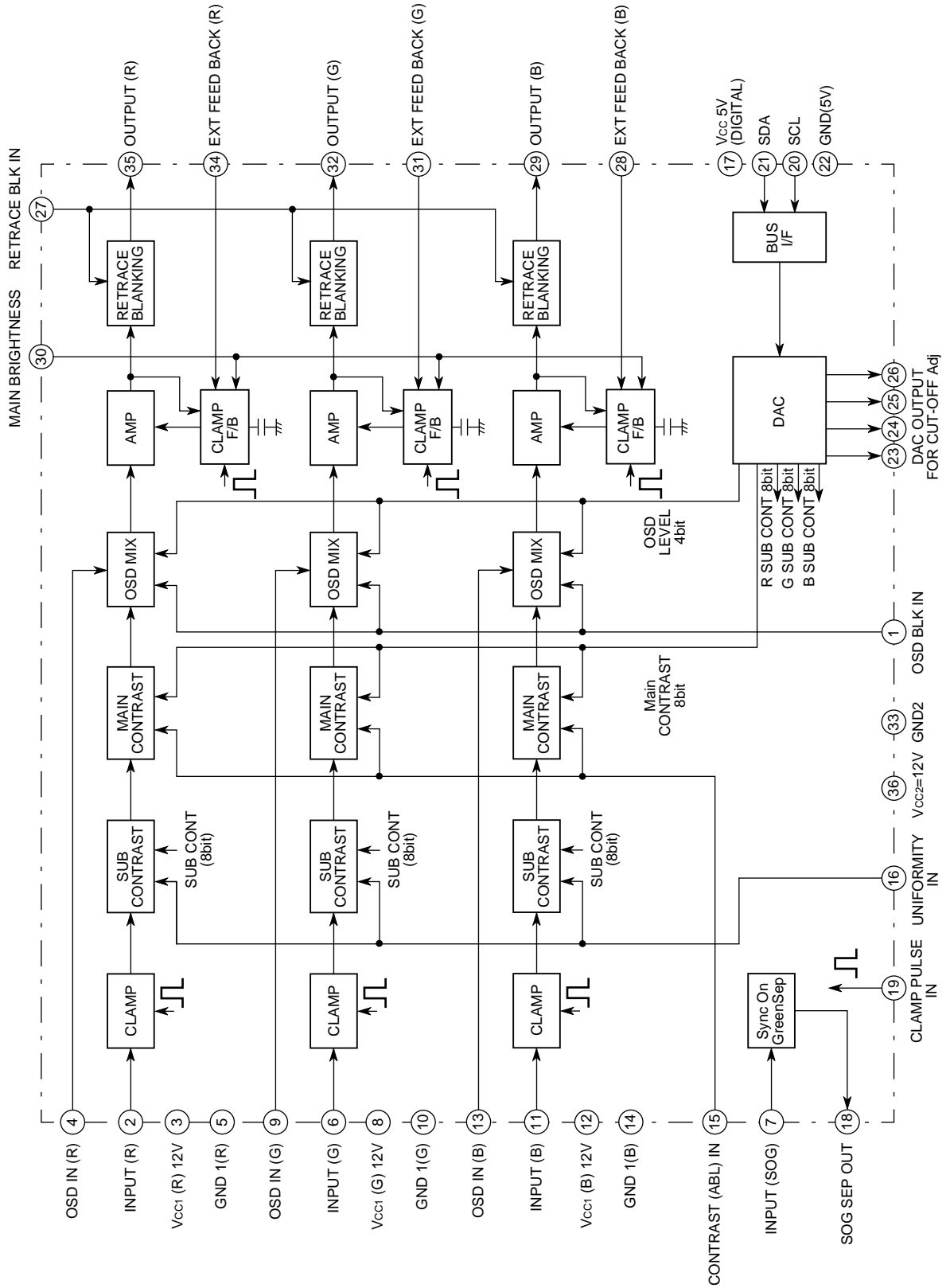
PRELIMINARY

M52742SP

Notice: This is not a final specification.
Some parametric limits are subject to change.

BUS CONTROLLED 3-CHANNEL VIDEO PREAMP FOR CRT DISPLAY MONITOR

BLOCK DIAGRAM



PRELIMINARY

M52742SP

Notice: This is not a final specification.
Some parametric limits are subject to change.

BUS CONTROLLED 3-CHANNEL VIDEO PREAMP FOR CRT DISPLAY MONITOR

ABSOLUTE MAXIMUM RATINGS (Ta=25°C)

Symbol	Parameter	Ratings	Unit
V _{CC}	Supply voltage	13.0	V
P _d	Power dissipation	2403	mW
T _{opr}	Ambient temperature	-20 to +75	°C
T _{stg}	Storage temperature	-40 to +150	°C
V _{opr}	Recommended supply	12.0	V
V _{opr'}	Voltage range	10.5 to 12.5	V

ELECTRICAL CHARACTERISTICS (V_{CC}=12V, 5V, Ta=25°C, unless otherwise noted)

Symbol	Parameter	Test point (s)	Input									CTL voltage		BUS CTL (H)											Limits			Unit
			2,6,11 RGB in	1 OSD BLK	4,9,13 OSD in	19 CP in	27 ReT BLK	7 SOG in	16 UNI in	30 Bright	15 ABL	00H Main cont	01H Sub cont 1	02H Sub cont 2	03H Sub cont 3	04H OSD Adj	05H BLK Adj	06H D/A OUT 1	07H D/A OUT 2	08H D/A OUT 3	09H D/A OUT 4	0BH INT EXT	Min.	Typ.	Max.			
I _{CC1}	Circuit current1	IA	a	a	a	b SG5	a	a	a	4.0	5.0	FFH 255	FFH 255	FFH 255	FFH 255	00H 0	00H 0	FFH 255	FFH 255	FFH 255	FFH 255	00H 0	-	110	130	mA		
I _{CC2}	Circuit current2	IB	a	a	a	b SG5	a	a	a	4.0	5.0												-	18	25	mA		
V _{omax}	Output dynamic range	OUT	b SG2	a	a	b SG5	a	a	a	Variable	5.0												6.0	8.0	-	V _{P-P}		
V _{imax}	Maximum input	IN OUT	b SG2 Variable	a	a	b SG5	a	a	a	2.0	5.0	64H 100											1.6	-	-	V _{P-P}		
G _v	Maximum gain	OUT	b SG1	a	a	b SG5	a	a	a	2.0	5.0	FFH 255											16.5	17.7	19.4	dB		
ΔG _v	Relative maximum gain	-	-	-	-	-	-	-	-	-	-												0.8	1.0	1.2	-		
V _{C1}	Main contrast control characteristics1	OUT	b SG1	a	a	b SG5	a	a	a	2.0	5.0	C8H 200											15.5	17.0	18.5	dB		
ΔV _{C1}	Main contrast control relative characteristics1	-	-	-	-	-	-	-	-	-	-												0.8	1.0	1.2	-		
V _{C2}	Main contrast control characteristics2	OUT	b SG1	a	a	b SG5	a	a	a	2.0	5.0	64H 100											9.0	10.5	12.0	dB		
ΔV _{C2}	Main contrast control relative characteristics2	-	-	-	-	-	-	-	-	-	-												0.8	1.0	1.2	-		
V _{C3}	Main contrast control characteristics3	OUT	b SG1	a	a	b SG5	a	a	a	2.0	5.0	14H 20											0.2	0.4	0.6	V _{P-P}		
ΔV _{C3}	Main contrast control relative characteristics3	-	-	-	-	-	-	-	-	-	-												0.8	1.0	1.2	-		
V _{SC1}	Sub contrast control characteristics1	OUT	b SG1	a	a	b SG5	a	a	a	2.0	5.0	FFH 255	C8H 200	C8H 200	C8H 200								15.8	17.3	18.8	dB		
ΔV _{SC1}	Sub contrast control relative characteristics1	-	-	-	-	-	-	-	-	-	-												0.8	1.0	1.2	-		
V _{SC2}	Sub contrast control characteristics2	OUT	b SG1	a	a	b SG5	a	a	a	2.0	5.0	FFH 255	64H 100	64H 100	64H 100								11.5	13.0	14.5	dB		
ΔV _{SC2}	Sub contrast control relative characteristics2	-	-	-	-	-	-	-	-	-	-												0.8	1.0	1.2	-		
V _{SC3}	Sub contrast control characteristics3	OUT	b SG1	a	a	b SG5	a	a	a	2.0	5.0	FFH 255	14H 20	14H 20	14H 20								1.4	1.7	2.0	V _{P-P}		
ΔV _{SC3}	Sub contrast control relative characteristics3	-	-	-	-	-	-	-	-	-	-												0.8	1.0	1.2	-		

PRELIMINARY

M52742SP

Notice: This is not a final specification.
Some parametric limits are subject to change.

BUS CONTROLLED 3-CHANNEL VIDEO PREAMP FOR CRT DISPLAY MONITOR

ELECTRICAL CHARACTERISTICS (cont.)

Symbol	Parameter	Test point (s)	Input								CTL voltage		BUS CTL (H)														Limits			Unit																									
			2,6,11 RGB in	1 OSD BLK	4,9,13 OSD in	19 CP in	27 ReT BLK	7 SOG in	16 UNI in	30 Bright	15 ABL	00H Main cont	01H Sub cont 1	02H Sub cont 2	03H Sub cont 3	04H OSD Adj	05H BLK Adj	06H D/A OUT 1	07H D/A OUT 2	08H D/A OUT 3	09H D/A OUT 4	0BH INT EXT	Min.	Typ.	Max.																														
VMSC	Main/sub contrast control characteristics2	OUT	b SG1	a	a	b SG5	a	a	a	2.0	5.0	C8H 200	C8H 200	C8H 200	C8H 200																			3.4	4.0	4.6	VP-P																		
ΔVMSC	Main/sub contrast control relative characteristics2	-	-	-	-	-	-	-	-	-	-	-	-	-	-	-	-	-	-	-	-	-	-	-	-	-	-	-	-	-	-	-	-	-	0.8	1.0	1.2	-																	
ABL1	ABL control characteristics1	OUT	b SG1	a	a	b SG5	a	a	a	2.0	4.0	FFH 255	FFH 255	FFH 255	FFH 255																					4.1	4.9	5.7	VP-P																
ΔABL1	ABL control relative characteristics1	-	-	-	-	-	-	-	-	-	-	-	-	-	-	-	-	-	-	-	-	-	-	-	-	-	-	-	-	-	-	-	-	-	-	0.8	1.0	1.2	-																
ABL2	ABL control characteristics2	OUT	b SG1	a	a	b SG5	a	a	a	2.0	2.0																											2.3	2.8	3.3	VP-P														
ΔABL2	ABL control relative characteristics2	-	-	-	-	-	-	-	-	-	-	-	-	-	-	-	-	-	-	-	-	-	-	-	-	-	-	-	-	-	-	-	-	-	-	-	-	0.8	1.0	1.2	-														
VB1	Brightness control characteristics1	OUT	a	a	a	b SG5	a	a	a	4.0	5.0																													3.3	3.7	4.1	V												
ΔVB1	Brightness control relative characteristics1	-	-	-	-	-	-	-	-	-	-	-	-	-	-	-	-	-	-	-	-	-	-	-	-	-	-	-	-	-	-	-	-	-	-	-	-	-	-	-	-0.3	0	0.3	V											
VB2	Brightness control characteristics2	OUT	a	a	a	b SG5	a	a	a	2.0	5.0																															1.5	1.8	2.1	V										
ΔVB2	Brightness control relative characteristics2	-	-	-	-	-	-	-	-	-	-	-	-	-	-	-	-	-	-	-	-	-	-	-	-	-	-	-	-	-	-	-	-	-	-	-	-	-	-	-	-	-0.3	0	0.3	V										
VB3	Brightness control characteristics3	OUT	a	a	a	b SG5	a	a	a	1.0	5.0																																	0.7	0.9	1.1	V								
ΔVB3	Brightness control relative characteristics3	-	-	-	-	-	-	-	-	-	-																																		-0.3	0	0.3	V							
FC1	Frequency characteristics1 (f=50MHz)	OUT	b SG3	a	a	a 5V	a	a	a	Variable	5.0	Variable																																	-2.0	0	2.5	dB							
ΔFC1	Frequency relative characteristics1 (f=50MHz)	-	-	-	-	-	-	-	-	-	-	-																																			-1.0	0	1.0	dB					
FC1'	Frequency characteristics1 (f=150MHz)	OUT	b SG3	a	a	a 5V	a	a	a	Variable	5.0	Variable	FFH 255	FFH 255	FFH 255	00H 0	00H 0	FFH 255	FFH 255	FFH 255	FFH 255	00H 0																										-3.0	0	3.0	dB				
ΔFC1'	Frequency relative characteristics1 (f=150MHz)	-	-	-	-	-	-	-	-	-	-	-																																					-1.0	0	1.0	dB			
FC2	Frequency characteristics2 (f=150MHz)	OUT	b SG3	a	a	a 5V	a	a	a	Variable	5.0																																						-3.0	3.0	5.0	dB			
ΔFC2	Frequency relative characteristics2 (f=150MHz)	-	-	-	-	-	-	-	-	-	-																																								-1.0	0	1.0	dB	
C.T.1	Crosstalk 1 (f=50MHz)	OUT(29) OUT(32)	2bSG3 6a 11a	a	a	a 5V	a	a	a	Variable	5.0	FFH 255																																					-	-25	-20	dB			
C.T.1'	Crosstalk 1 (f=150MHz)	OUT(29) OUT(32)	2bSG3 6a 11a	a	a	a 5V	a	a	a	Variable	5.0																																								-	-15	-10	dB	
C.T.2	Crosstalk 2 (f=50MHz)	OUT(29) OUT(35)	2a 6bSG3 11a	a	a	a 5V	a	a	a	Variable	5.0																																									-	-25	-20	dB
C.T.2'	Crosstalk 2 (f=150MHz)	OUT(29) OUT(35)	2a 6bSG3 11a	a	a	a 5V	a	a	a	Variable	5.0																																									-	-15	-10	dB
C.T.3	Crosstalk 3 (f=50MHz)	OUT(32) OUT(35)	2a 6a 11bSG3	a	a	a 5V	a	a	a	Variable	5.0																																									-	-25	-20	dB
C.T.3'	Crosstalk 3 (f=150MHz)	OUT(32) OUT(35)	2a 6a 11bSG3	a	a	a 5V	a	a	a	Variable	5.0																																									-	-15	-10	dB

PRELIMINARY

M52742SP

Notice: This is not a final specification.
Some parametric limits are subject to change.

BUS CONTROLLED 3-CHANNEL VIDEO PREAMP FOR CRT DISPLAY MONITOR

ELECTRICAL CHARACTERISTICS (cont.)

Symbol	Parameter	Test point (s)	Input								CTL voltage		BUS CTL (H)										Limits			Unit			
			2,6,11 RGB in	1 OSD BLK	4,9,13 OSD in	19 CP in	27 ReT BLK	7 SOG in	16 UNI in	30 Bright	15 ABL	00H Main cont	01H Sub cont 1	02H Sub cont 2	03H Sub cont 3	04H OSD Adj	05H BLK Adj	06H D/A OUT 1	07H D/A OUT 2	08H D/A OUT 3	09H D/A OUT 4	0BH INT EXT	Min.	Typ.	Max.				
TDS-R	Sync output delay time ²	Sync OUT	a	a	a	a	a	a	a	2.0	5.0															0	60	90	ns
VOH	D/A H output voltage	D/A OUT	a	a	a	a	a	a	a	2.0	5.0	FFH 255	FFH 255	FFH 255	FFH 255	00H 0	00H 0	FFH 255	FFH 255	FFH 255	FFH 255	00H 0	4.5	5.0	5.5	VDC			
VOL	D/A L output voltage	D/A OUT	a	a	a	a	a	a	a	2.0	5.0							00H 0	00H 0	00H 0	00H 0		0	0.5	1.0	VDC			
IAO	D/A output current range	D/A OUT	a	a	a	a	a	a	a	2.0	5.0							Vari abl e	Vari abl e	Vari abl e	Vari abl e		-1.0	-	0.4	mA			
DNL	D/A nonlinearity	D/A OUT	a	a	a	a	a	a	a	2.0	5.0							Vari abl e	Vari abl e	Vari abl e	Vari abl e		-1.0	-	1.0	LSB			
ΔTr	Relative pulse characteristics ¹	OUT	b SG1	a	a	b SG5	a	a	a	Variable	5.0	Vari abl e						FFH 255	FFH 255	FFH 255	FFH 255		-0.8	0	0.8	ns			
ΔTf	Relative pulse characteristics ²	OUT	b SG1	a	a	b SG5	a	a	a	Variable	5.0	Vari abl e											-0.8	0	0.8	ns			
UNI1	Uniformity characteristics ¹	OUT	b SG1	a	a	b SG5	a	a	b SG6 2.5V	2.0	5.0	C8H 200	C8H 200	C8H 200	C8H 200								7	10	13	%			
UNI2	Uniformity characteristics ²	OUT	b SG1	a	a	b SG5	a	a	b SG6 1.25V	2.0	5.0												3.5	5	6.5	%			

ELECTRICAL CHARACTERISTICS TEST METHOD

Icc1 Circuit current¹

Measuring conditions are as listed in supplementary Table. Measured with a current meter at test point IA.

Icc2 Circuit current²

Measuring conditions are as listed in supplementary Table. Measured with a current meter at test point IB.

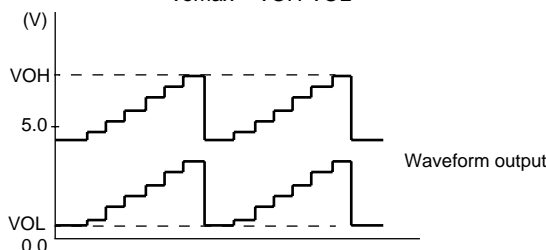
Vomax Output dynamic range

Decrease V30 gradually, and measure the voltage when the waveform output is distorted. The voltage is called VOL.

Next, increase V30 gradually, and measure the voltage when the top of waveform output is distorted. The voltage is called VOH.

Voltage Vomax is calculated by the equation below:

$$Vomax = VOH - VOL$$



Vimax Maximum input

Increase the input signal (SG2) amplitude gradually, starting from 700mV_{P-P}. Measure the amplitude of the input signal when the output signal starts becoming distorted.

Gv Maximum gain

Input SG1, and read the amplitude output at OUT (29, 32, 35). The amplitude is called VOUT (29, 32, 35). Maximum gain Gv is calculated by the equation below:

$$Gv = 20 \log \frac{VOUT}{0.7} \text{ (dB)}$$

ΔGv Relative maximum gain

Relative maximum gain ΔGv is calculated by the equation below:

$$\Delta Gv = VOUT(29) / VOUT(32), \\ VOUT(32) / VOUT(35), \\ VOUT(35) / VOUT(29)$$

Vc1 Main contrast control characteristics¹

Measuring the amplitude output at OUT (29, 32, 35). The measured value is called VOUT (29, 32, 35). Main contrast control characteristics Vc1 is calculated by the equation below:

$$Vc1 = 20 \log \frac{VOUT}{0.7} \text{ (dB)}$$

ΔVc1 Main contrast control relative characteristics¹

Relative characteristics ΔVc1 is calculated by the equation below:

$$\Delta Vc1 = VOUT(29) / VOUT(32), \\ VOUT(32) / VOUT(35), \\ VOUT(35) / VOUT(29)$$

Vc2 Main contrast control characteristics²

Measuring condition and procedure are the same as described in Vc1.

ΔVc2 Main contrast control relative characteristics²

Measuring condition and procedure are the same as described in ΔVc1.

PRELIMINARY

Notice: This is not a final specification.
Some parametric limits are subject to change.

M52742SP**BUS CONTROLLED 3-CHANNEL VIDEO PREAMP FOR CRT DISPLAY MONITOR****Vc3 Main contrast control characteristics3**

Measuring condition and procedure are the same as described in Vc1.

 Δ Vc3 Main contrast control relative characteristics3

Measuring condition and procedure are the same as described in Δ Vc1.

Vsc1 Sub contrast control characteristics1

Measure the amplitude output at OUT (29, 32, 35). The measured value is called VOUT (29, 32, 35). Sub contrast control characteristics Vsc1 is calculated by the equation below:

$$V_{sc1} = 20 \log \frac{V_{OUT}}{0.7} \text{ (dB)}$$

 Δ Vsc1 Sub contrast control relative characteristics1

Relative characteristics Δ Vsc1 is calculated by the equation below:

$$\Delta V_{sc1} = \frac{V_{OUT}(29)}{V_{OUT}(32)}, \\ \frac{V_{OUT}(32)}{V_{OUT}(35)}, \\ \frac{V_{OUT}(35)}{V_{OUT}(29)}.$$

Vsc2 Sub contrast control characteristics2

Measuring condition and procedure are the same as described in Vsc1.

 Δ Vsc2 Sub contrast control relative characteristics2

Measuring condition and procedure are the same as described in Δ Vsc1.

Vsc3 Sub contrast control characteristics3

Measuring condition and procedure are the same as described in Vsc1.

 Δ Vsc3 Sub contrast control relative characteristics3

Measuring condition and procedure are the same as described in Δ Vsc1.

VMSC Main/sub contrast control characteristics2

Measure the amplitude output at OUT (29, 32, 35). The measured value is called VOUT (29, 32, 35). Main/Sub contrast control characteristics VMSC1 is calculated by the equation below:

$$VMSC1 = 20 \log \frac{V_{OUT}}{0.7} \text{ (dB)}$$

 Δ VMSC Main/sub contrast control relative characteristics2

Relative characteristics Δ VMSC1 is calculated by the equation below:

$$\Delta VMSC1 = \frac{V_{OUT}(29)}{V_{OUT}(32)}, \\ \frac{V_{OUT}(32)}{V_{OUT}(35)}, \\ \frac{V_{OUT}(35)}{V_{OUT}(29)}$$

ABL1 ABL control characteristics1

Measure the amplitude output at OUT (29, 32, 35). The measured value is called VOUT (29, 32, 35), and is treated as ABL1.

 Δ ABL1 ABL control relative characteristics1

Relative characteristics Δ ABL1 is calculated by the equation below:

$$\Delta ABL1 = \frac{V_{OUT}(29)}{V_{OUT}(32)}, \\ \frac{V_{OUT}(32)}{V_{OUT}(35)}, \\ \frac{V_{OUT}(35)}{V_{OUT}(29)}$$

ABL2 ABL control characteristics2

Measuring condition and procedure are the same as described in ABL1.

 Δ ABL2 ABL control relative characteristics2

Measuring condition and procedure are the same as described in Δ ABL1.

Vb1 Brightness control characteristics1

Measure the DC voltage at OUT (29, 32, 35) with a voltmeter. The measured value is called VOUT (29, 32, 35), and is treated as Vb1.

 Δ Vb1 Brightness control relative characteristics1

Relative characteristics Δ Vb1 is calculated by the difference in the output between the channels.

$$\Delta V_{b1} = \frac{V_{OUT}(29)}{V_{OUT}(32)}, \\ \frac{V_{OUT}(32)}{V_{OUT}(35)}, \\ \frac{V_{OUT}(35)}{V_{OUT}(29)}$$

Vb2 Brightness control characteristics2

Measuring condition and procedure are the same as described in Vb1.

 Δ Vb2 Brightness control relative characteristics2

Measuring condition and procedure are the same as described in Δ Vb1.

Vb3 Brightness control characteristics3

Measuring condition and procedure are the same as described in Vb1.

 Δ Vb3 Brightness control relative characteristics3

Measuring condition and procedure are the same as described in Δ Vb1.

PRELIMINARY

Notice: This is not a final specification.
Some parametric limits are subject to change.

M52742SP**BUS CONTROLLED 3-CHANNEL VIDEO PREAMP FOR CRT DISPLAY MONITOR****Fc1 Frequency characteristics1 (f=50MHz)**

First, SG3 to 1MHz is as input signal. Input a resistor that is about 2kΩ to offer the voltage at input pins (2, 6, 11) in order that the bottom of input signal is 2.5V. Control the main contrast in order that the amplitude of sine wave output is 4.0V_{P-P}. Control the brightness in order that the bottom of sine wave output is 2.0V_{P-P}. By the same way, measure the output amplitude when SG3 to 50MHz is as input signal. The measured value is called VOUT (29, 32, 35). Frequency characteristics Fc1 (29, 32, 35) is calculated by the equation below:

$$F_{c1} = 20 \log \frac{V_{OUT} \text{ V}_{P-P}}{\text{Output amplitude when inputted SG3 (1MHz):} 4V_{P-P}} \text{ (dB)}$$

ΔFc1 Frequency relative characteristics1 (f=50MHz)

Relative characteristics ΔFc1 is calculated by the difference in the output between the channels.

Fc1' Frequency characteristics1 (f=150MHz)

Measuring condition and procedure are the same as described in table, expect SG3 to 150MHz.

ΔFc1' Frequency relative characteristics1 (f=150MHz)

Relative characteristics ΔFc1' is calculated by the difference in the output between the channels.

Fc2 Frequency characteristics2 (f=150MHz)

SG3 to 1MHz is as input signal. Control the main contrast in order that the amplitude of sine wave output is 1.0V_{P-P}. By the same way, measure the output amplitude when SG3 to 150MHz is as input signal.

The measured value is called VOUT (29, 32, 35). Frequency characteristics Fc2 (29, 32, 35) is calculated by the equation below:

$$F_{c2} = 20 \log \frac{V_{OUT} \text{ V}_{P-P}}{\text{Output amplitude when inputted SG3 (1MHz):} 4V_{P-P}} \text{ (dB)}$$

ΔFc2 Frequency relative characteristics2 (f=150MHz)

Relative characteristics ΔFc2 is calculated by the difference in the output between the channels.

C.T.1 Crosstalk1 (f=50MHz)

Input SG3 (50MHz) to pin2 only, and then measure the waveform amplitude output at OUT (29, 32, 35). The measured value is called VOUT (29, 32, 35). Crosstalk C.T.1 is calculated by the equation below:

$$C.T.1 = 20 \log \frac{V_{OUT} (29, 32)}{V_{OUT} (35)} \text{ (dB)}$$

C.T.1' Crosstalk1 (f=150MHz)

Measuring condition and procedure are the same as described in C.T.1, expect SG3 to 150MHz.

C.T.2 Crosstalk2 (f=50MHz)

Input SG3 (50MHz) to pin6 only, and then measure the waveform amplitude output at OUT (29, 32, 35). The measured value is called VOUT (29, 32, 35). Crosstalk C.T.2 is calculated by the equation below:

$$C.T.2 = 20 \log \frac{V_{OUT} (29, 32)}{V_{OUT} (35)} \text{ (dB)}$$

C.T.2' Crosstalk2 (f=150MHz)

Measuring condition and procedure are the same as described in C.T.2, expect SG3 to 150MHz.

C.T.3 Crosstalk3 (f=50MHz)

Input SG3 (50MHz) to pin11 only, and then measure the waveform amplitude output at OUT (29, 32, 35). The measured value is called VOUT (29, 32, 35). Crosstalk C.T.3 is calculated by the equation below:

$$C.T.3 = 20 \log \frac{V_{OUT} (29, 32)}{V_{OUT} (35)} \text{ (dB)}$$

C.T.3' Crosstalk3 (f=150MHz)

Measuring condition and procedure are the same as described in C.T.3, expect SG3 to 150MHz.

Tr Pulse characteristics1 (4V_{P-P})

Control the main contrast (00H) in order that the amplitude of output signal is 4.0V_{P-P}.

Control the brightness (V30) in order that the Black level of output signal is 2.0V.

Measure the time needed for the input pulse to rise from 10% to 90% (Tr1) and for the output pulse to rise from 10% to 90% (Tr2) with an active prove.

Pulse characteristics TR is calculated by the equations below :

$$TR = \sqrt{[(Tr2)^2 - (Tr1)^2]}$$

ΔTr Relative pulse characteristics1

Relative characteristics ΔTr is calculated by the difference in the output between the channels.

Tf Pulse characteristics2 (4V_{P-P})

Measure the time needed for the input pulse to fall from 90% to 10% (Tf1) and for the output pulse to fall from 90% to 10% (Tf2) with an active prove.

Pulse characteristics TF is calculated by the equations below :

$$TR = \sqrt{[(Tf2)^2 - (Tf1)^2]}$$

PRELIMINARY

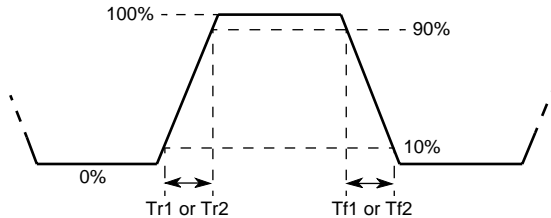
Notice: This is not a final specification.
Some parametric limits are subject to change.

M52742SP

BUS CONTROLLED 3-CHANNEL VIDEO PREAMP FOR CRT DISPLAY MONITOR

ΔT_f Relative pulse characteristics2

Relative characteristics ΔT_f is calculated by the difference in the output between the channels.



VthCP Clamp pulse threshold voltage

Turn down the SG5 input level gradually from 5.0V_{P-P}, monitoring the waveform output.

Measure the top level of input pulse when the output pedestal voltage turn decrease with unstable.

WCP Clamp pulse minimum width

Decrease the SG5 pulse width gradually from 0.5 μ s, monitoring the output. Measure the SG5 pulse width (a point of 1.5V) when the output pedestal voltage turn decrease with unstable.

PdCH Pedestal voltage temperature characteristics1

Measure the pedestal voltage at 25°C. The measured value is called PDC1.

Measure the pedestal voltage at temperature of -20°C. The measured value is called PDC2.

Pedestal voltage temperature characteristics 1 is calculated by the equation below:

$$P_{DCH} = PDC1 - PDC2$$

PdCL Pedestal voltage temperature characteristics2

Measure the pedestal voltage at 25°C. The measured value is called PDC1.

Measure the pedestal voltage at temperature of 75°C. The measured value is called PDC3.

Pedestal voltage temperature characteristics 2 is calculated by the equation below:

$$P_{DCL} = PDC1 - PDC3$$

OTr OSD pulse characteristics1

Measure the time needed for the output pulse to rise from 10% to 90% (OTR) with an active prove.

OTf OSD pulse characteristics2

Measure the time needed for the output pulse to fall from 90% to 10% (OTF) with an active prove.

Oaj1 OSD adjust control characteristics1

Measure the amplitude output at OUT (29, 32, 35). The measured value is called VOUT (29,32,35), and is treated as Oaj1.

ΔO_{aj1} OSD adjust control relative characteristics1

Relative characteristics ΔO_{aj1} is calculated by the equation below:

$$\Delta O_{aj1} = \frac{V_{OUT(29)}}{V_{OUT(32)}} \cdot \frac{V_{OUT(32)}}{V_{OUT(35)}} \cdot \frac{V_{OUT(35)}}{V_{OUT(29)}}$$

Oaj2 OSD adjust control characteristics2

Measuring condition and procedure are the same as described in Oaj1.

ΔO_{aj2} OSD adjust control relative characteristics2

Measuring condition and procedure are the same as described in ΔO_{aj1} .

OBLK OSD adjust control characteristics3

Measuring condition and procedure are the same as described in Oaj1.

ΔO_{BLK} OSD adjust control relative characteristics3

Measuring condition and procedure are the same as described in ΔO_{aj1} .

VthOSD OSD input threshold voltage

Reduce the SG6 input level gradually, monitoring output. Measure the SG6 level when the output reaches 0V. The measured value is called VthOSD.

VthBLK OSD BLK input threshold voltage

Confirm that output signal is being blanked by the SG6 at the time. Monitoring to output signal, decreasing the level of SG6. Measure the top level of SG6 when the blanking period is disappeared. The measured value is called VthBLK.

HBLK1 Retrace BLK characteristics1

Measure the amplitude output is blanked by the SG7 at OUT (29, 32, 35). The measured value is called VOUT (29, 32, 35), and is treated as HBLK1.

HBLK2 Retrace BLK characteristics2

Measure the amplitude output is blanked by the SG7 at OUT (29, 32, 35). The measured value is called VOUT (29, 32, 35), and is treated as HBLK2.

HBLK3 Retrace BLK characteristics3

Measure the amplitude output is blanked by the SG7 at OUT (29, 32, 35). The measured value is called VOUT (29, 32, 35), and is treated as HBLK3.

VthRET Retrace BLK input threshold voltage

Confirm that output signal is being blanked by the SG7 at the time. Monitoring to output signal, decreasing the level of SG7. Measure the top level of SG7 when the blanking period is disappeared. The measured value is called VthRET.

PRELIMINARY

Notice: This is not a final specification.
Some parametric limits are subject to change.

M52742SP

BUS CONTROLLED 3-CHANNEL VIDEO PREAMP FOR CRT DISPLAY MONITOR

SS-NV SOG input maximum noise voltage

The sync's amplitude of SG4 be changed all white into all black, increase from 0VP-P to 0.02VP-P. No pulse output permitted.

SS-SV SOG minimum input voltage

The sync's amplitude of SG4 be changed all white or all black, decrease from 0.3VP-P to 0.2VP-P. Confirm no malfunction produced by noise.

VSH Sync output hi level

Measure the high voltage at SyncOUT. The measured value is treated as VSH.

VSL Sync output lo level

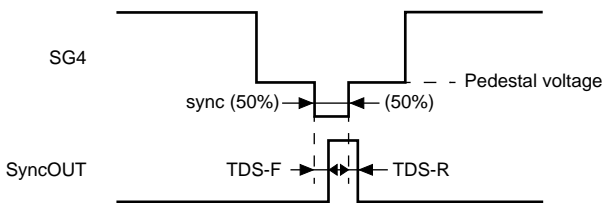
Measure the low voltage at SyncOUT. The measured value is treated as VSL.

TDS-F Sync output delay time1

SyncOUT becomes High with sync part of SG4.
Measure the time needed for the front edge of SG4 sync to fall from 50% and for SyncOUT to rise from 50% with an active prove. The measured value is treated as TDS-F, less than 90nsec.

TDS-R Sync output delay time2

Measure the time needed for the rear edge of SG4 sync to rise from 50% and for SyncOUT to fall from 50% with an active prove. The measured value is treated as TDS-R, less than 90nsec.



VOH D/A H output voltage

Measure the DC voltage at D/AOUT. The measured value is treated as VOH.

VOL D/A L output voltage

Measure the DC voltage at D/AOUT. The measured value is treated as VOL.

IAO D/A output current range

Electric current flow from the output of D/AOUT must be less than 1.0mA.

Electric current flow in the output of D/AOUT must be less than 0.4mA.

DNL D/A nonlinearity

The difference of differential non-linearity of D/AOUT must be less than ± 1.0 LSB.

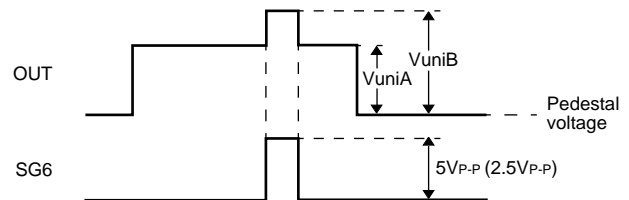
UNI1 Uniformity characteristics1

UNI2 Uniformity characteristics2

VuniA is amplitude output at OUT (29, 32, 35), when SG6 is low voltage. VuniB is amplitude output at OUT (29, 32, 35), when SG6 is high voltage.

moduration ratio UNI (UNI2) is calculated by the equation below;

$$UNI1 (UNI2) = 100 \cdot (VuniB/VuniA - 1) (\%)$$



PRELIMINARY

M52742SP

Notice: This is not a final specification.
Some parametric limits are subject to change.

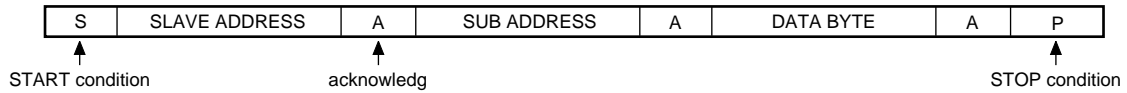
BUS CONTROLLED 3-CHANNEL VIDEO PREAMP FOR CRT DISPLAY MONITOR

I²C-BUS PROTOCOL

(1) Slave address

D7	D6	D5	D4	D3	D2	D1	R/W	
1	1	0	1	1	1	0	0	=DCH

(2) Slave receiver format



(3) Sub address byte and data byte format

Function	bit	sub add.	Data byte (top:byte format under:start condition)							
			D7	D6	D5	D4	D3	D2	D1	D0
Main contrast	8	00H	A07	A06	A05	A04	A03	A02	A01	A00
			0	1	0	0	0	0	0	0
Sub contrast R	8	01H	A17	A16	A15	A14	A13	A12	A11	A10
			1	0	0	0	0	0	0	0
Sub contrast G	8	02H	A27	A26	A25	A24	A23	A22	A21	A20
			1	0	0	0	0	0	0	0
Sub contrast B	8	03H	A37	A36	A35	A34	A33	A32	A31	A30
			1	0	0	0	0	0	0	0
OSD level	4	04H	-	-	-	-	A43	A42	A41	A40
			0	0	0	0	1	0	0	0
RE-BLK adjust	4	05H	-	-	-	-	A53	A52	A51	A50
			0	0	0	0	1	0	0	0
D/A OUT1	8	06H	A67	A66	A65	A64	A63	A62	A61	A60
			1	0	0	0	0	0	0	0
D/A OUT2	8	07H	A77	A76	A75	A74	A73	A72	A71	A70
			1	0	0	0	0	0	0	0
D/A OUT3	8	08H	A87	A86	A85	A84	A83	A82	A81	A80
			1	0	0	0	0	0	0	0
D/A OUT4	8	09H	A97	A96	A95	A94	A93	A92	A91	A90
			1	0	0	0	0	0	0	0
Pedestal clamp INT/EXT SW	1	0BH	-	-	-	-	-	-	-	AB0
			0	0	0	0	0	0	0	0

Notes) pedestal level INT/EXT SW
0→INT 1→EXT

PRELIMINARY

M52742SP

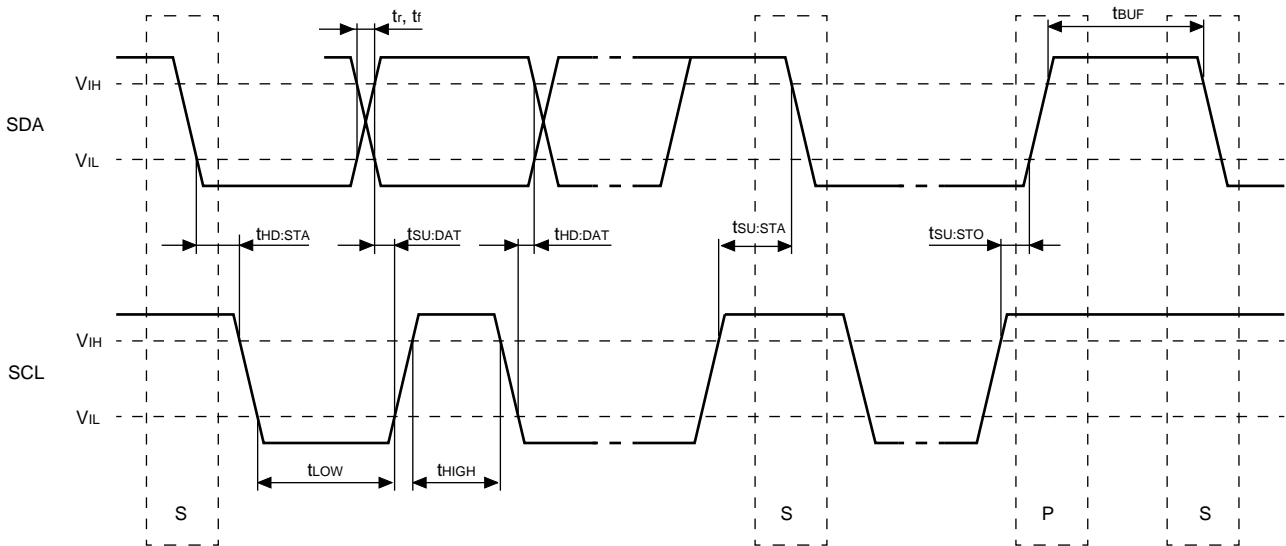
Notice: This is not a final specification.
Some parametric limits are subject to change.

BUS CONTROLLED 3-CHANNEL VIDEO PREAMP FOR CRT DISPLAY MONITOR

TIMING REQUIREMENT OF I²C

Symbol	Parameter	Min.	Max.	Unit
V _{IL}	Input voltage LOW	-0.5	1.5	V
V _{IH}	Input voltage HIGH	3.0	5.5	V
f _{SCL}	SCL clock frequency	0	100	kHz
t _{BUF}	Time the bus must be free before a new transmission can start	4.7	-	μs
t _{HD:STA}	Hold time start condition. After this period the first clock pulse is generated	4.0	-	μs
t _{LOW}	The LOW period of the clock	4.7	-	μs
t _{HIGH}	The HIGH period of the clock	4.0	-	μs
t _{SU:STA}	Set up time for start condition (Only relevant for a repeated start condition)	4.7	-	μs
t _{HD:DAT}	Hold time for I ² C devices	0	-	μs
t _{SU:DAT}	Set-up time DATA	250	-	ns
t _r	Rise time of both SDA and SCL	-	1000	ns
t _f	Fall time of both SDA and SCL	-	300	ns
t _{SU:STO}	Set-up time for stop condition	4.0	-	μs

TIMING DIAGRAM



PRELIMINARY

M52742SP

Notice: This is not a final specification.
Some parametric limits are subject to change.

BUS CONTROLLED 3-CHANNEL VIDEO PREAMP FOR CRT DISPLAY MONITOR

INPUT SIGNAL

SG No.	Signals
SG1 Video signal (all white)	<p>Pulse with amplitude of 0.7V_{P-P} (f=30kHz). Video width of 25μs. (75%)</p>
SG2 Video signal (step wave)	
SG3 Sine wave (for freq. char.)	
SG4 Video signal (all white, all black)	<p>Video width of 25μs. (75%)</p>
SG5 Clamp pulse	<p>Pulse width and amplitude are variable.</p>
SG6 OSD pulse	
SG7 BLK pulse	

*) f=30kHz

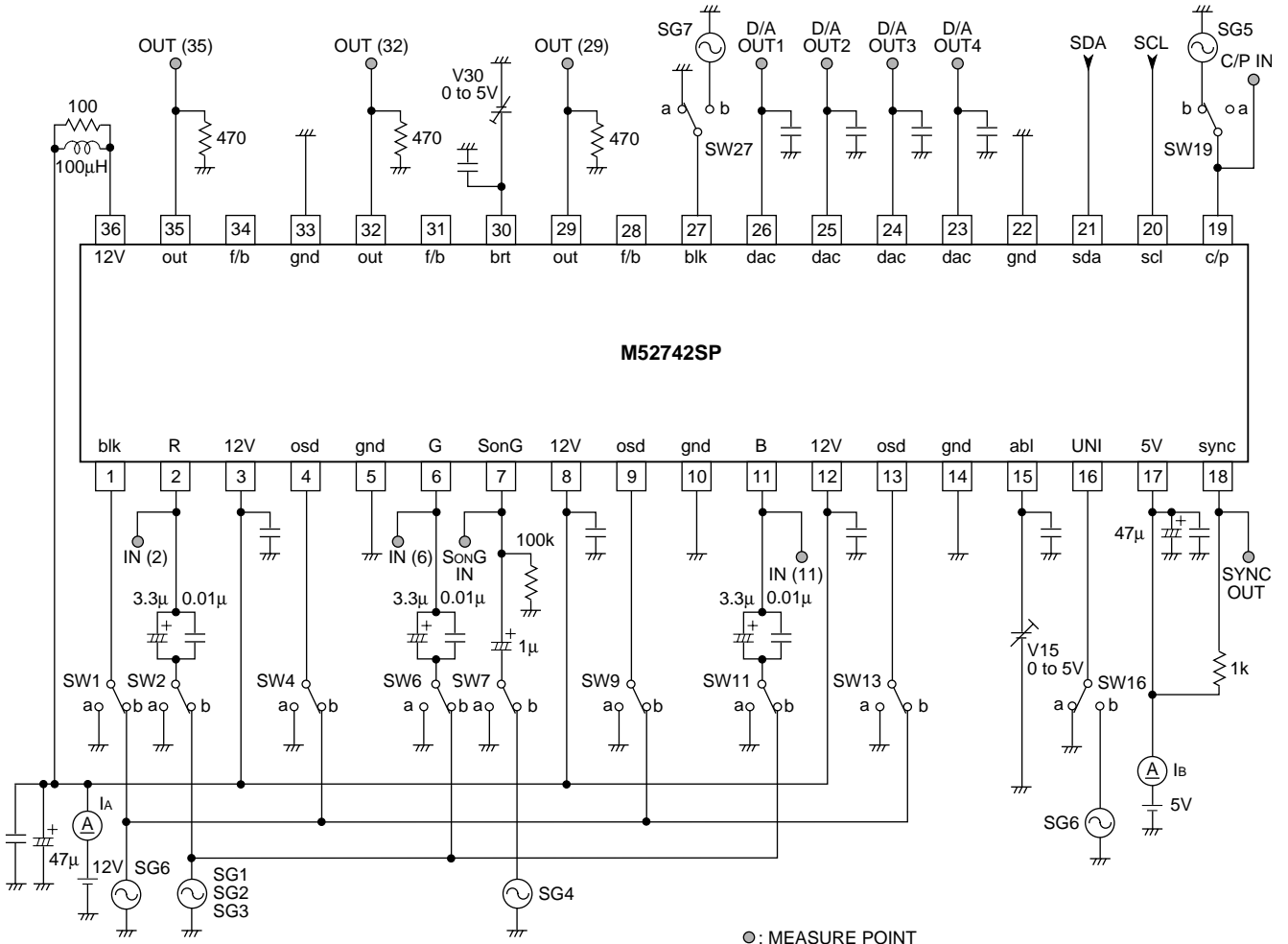
PRELIMINARY

M52742SP

Notice: This is not a final specification.
Some parametric limits are subject to change.

BUS CONTROLLED 3-CHANNEL VIDEO PREAMP FOR CRT DISPLAY MONITOR

TEST CIRCUIT



○ : MEASURE POINT

* Condenser : 0.01μF (unless otherwise specified.)

Units Resistance : Ω
Capacitance : F

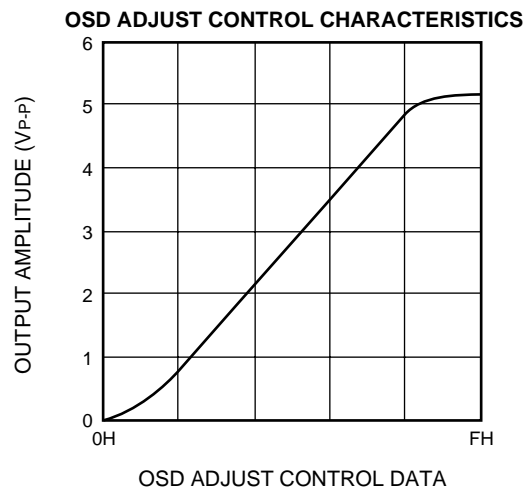
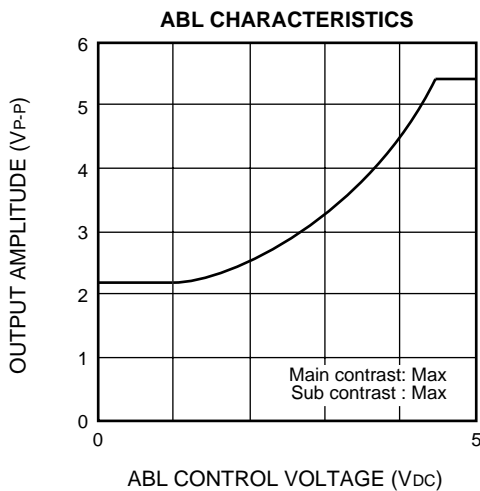
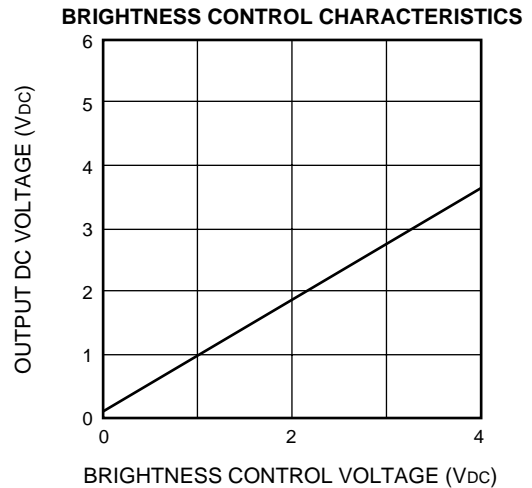
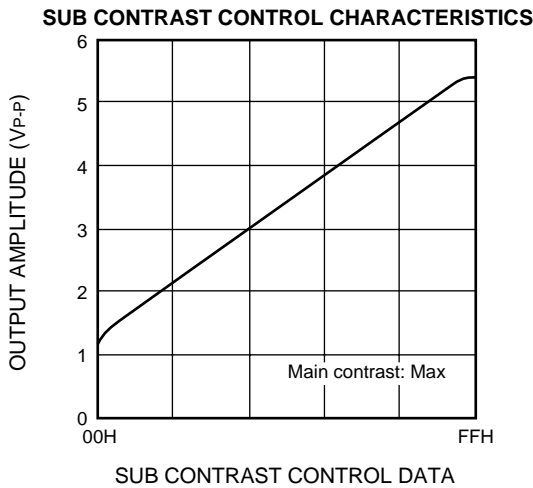
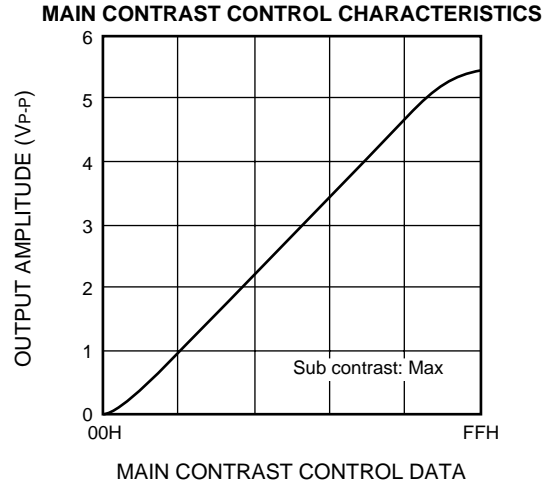
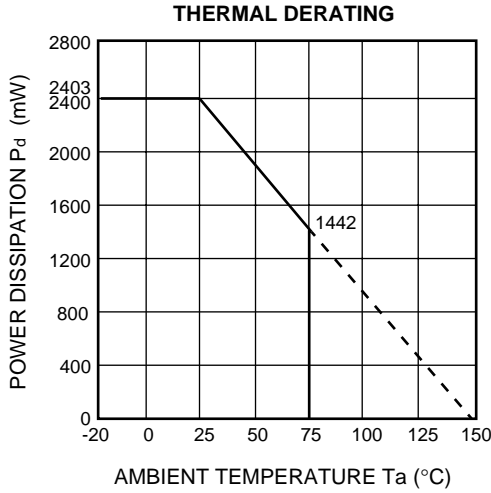
PRELIMINARY

M52742SP

Notice: This is not a final specification.
Some parametric limits are subject to change.

BUS CONTROLLED 3-CHANNEL VIDEO PREAMP FOR CRT DISPLAY MONITOR

TYPICAL CHARACTERISTICS

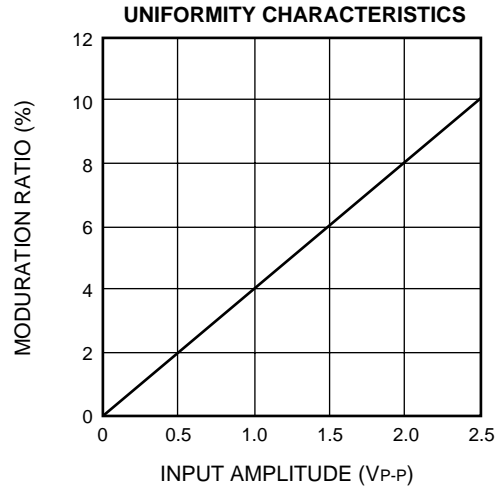
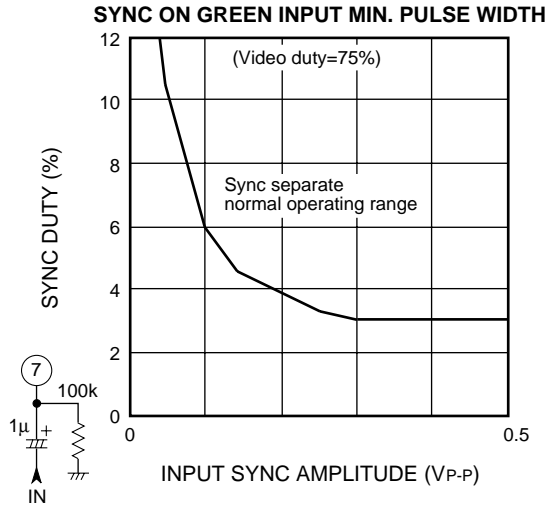


PRELIMINARY

M52742SP

Notice: This is not a final specification.
Some parametric limits are subject to change.

BUS CONTROLLED 3-CHANNEL VIDEO PREAMP FOR CRT DISPLAY MONITOR



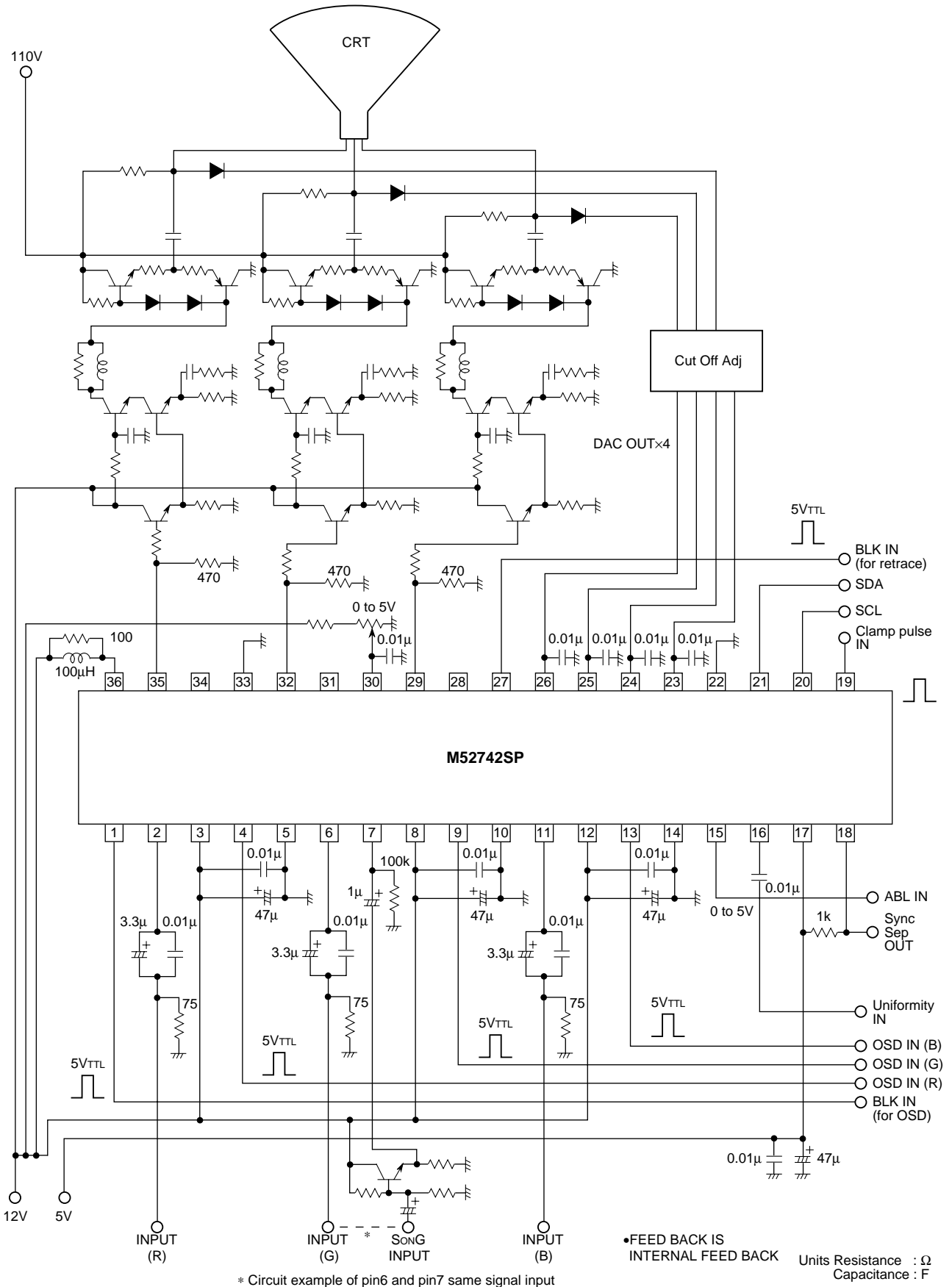
PRELIMINARY

M52742SP

Notice: This is not a final specification.
Some parametric limits are subject to change.

BUS CONTROLLED 3-CHANNEL VIDEO PREAMP FOR CRT DISPLAY MONITOR

APPLICATION EXAMPLE



PRELIMINARY

M52742SP

Notice: This is not a final specification.
Some parametric limits are subject to change.

BUS CONTROLLED 3-CHANNEL VIDEO PREAMP FOR CRT DISPLAY MONITOR

DESCRIPTION OF PIN

Pin No.	Name	DC voltage (V)	Peripheral circuit of pins	Description of function
1	OSD BLK IN	-		<ul style="list-style-type: none"> ·Input pulses ·Connected to GND if not used.
2 6 11	INPUT (R) INPUT (G) INPUT (R)	2.5		<ul style="list-style-type: none"> ·Clamped to about 2.5V due to clamp pulses from pin 19. ·Input at low impedance.
3 8 12	Vcc1 (R) Vcc1 (G) Vcc1 (B)	12	-	·Apply equivalent voltage to 3 channels.
4 9 13	OSD IN (R) OSD IN (G) OSD IN (B)	-		<ul style="list-style-type: none"> ·Input pulses ·Connected to GND if not used.
5 10 14 22 33	GND 1 (R) GND 1 (G) GND 1 (B) GND (5V) GND 2	GND	-	
7	INPUT (S on G)	When open=2.5V		<ul style="list-style-type: none"> ·SYNC ON GREEN input pin for sync separation. ·Sync is negative. ·input signal at Pin7, compare with the reference voltage of internal circuit in order to separate sync signal. ·When not used, set to OPEN.

PRELIMINARY

M52742SP

Notice: This is not a final specification.
Some parametric limits are subject to change.

BUS CONTROLLED 3-CHANNEL VIDEO PREAMP FOR CRT DISPLAY MONITOR

DESCRIPTION OF PIN (cont.)

Pin No.	Name	DC voltage (V)	Peripheral circuit of pins	Description of function
15	ABL IN	When open 2.5V		<p>·ABL (Automatic Beam Limiter) input pin. Recommended voltage range is 0 to 5V. When ABL function is not used, set to 5V.</p>
16	Uniformity IN	5.75		<p>·Uniformity input pin. Recommended amplitude range is 0 to 5V_{P-P}.</p>
17	Vcc (5V)	5	—	
18	S on G Sep OUT	—		<p>·Sync signal output pin, Being of open collector output type.</p>
19	Clamp Pulse IN	—		<p>·Input pulses</p> <p>·Input at low impedance.</p>
20	SCL	—		<p>·SCL of I²C BUS (Serial clock line) V_{TH}=2.3V</p>

PRELIMINARY

M52742SP

Notice: This is not a final specification.
Some parametric limits are subject to change.

BUS CONTROLLED 3-CHANNEL VIDEO PREAMP FOR CRT DISPLAY MONITOR

DESCRIPTION OF PIN (cont.)

Pin No.	Name	DC voltage (V)	Peripheral circuit of pins	Description of function
21	SDA	-		<ul style="list-style-type: none"> ·SDA of I²C BUS (Serial data line) V_{TH}=2.3V
23 24 25 26	D/A OUT	-		<ul style="list-style-type: none"> ·D/A output pin. Output voltage range is 0 to 5V, Max output current is 0.4mA.
27	Retrace BLK IN	-		<ul style="list-style-type: none"> ·Input pulses ·Connected to GND if not used.
28 31 34	EXT Feed Back (B) EXT Feed Back (G) EXT Feed Back (R)	Variable		
29 32 35	OUTPUT (B) OUTPUT (G) OUTPUT (R)	Variable		<ul style="list-style-type: none"> ·A resistor is needed on the GND side. Set discretionally to maximum 15mA, depending on the required driving capacity.
36	Vcc2	12 Impressed		<ul style="list-style-type: none"> ·Used to supply power to output emitter follower only.

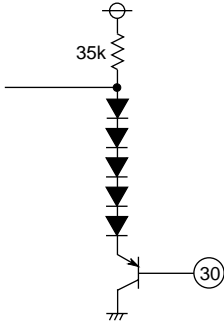
PRELIMINARY

M52742SP

Notice: This is not a final specification.
Some parametric limits are subject to change.

BUS CONTROLLED 3-CHANNEL VIDEO PREAMP FOR CRT DISPLAY MONITOR

DESCRIPTION OF PIN (cont.)

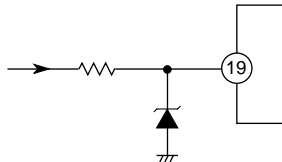
Pin No.	Name	DC voltage (V)	Peripheral circuit of pins	Description of function
30	Main Brightness	-		· It is recommended that the IC be used between pedestal voltage 2V and 3V.

APPLICATION METHOD FOR M52742SP

CLAMP PULSE INPUT

Clamp pulse width is recommended
 above 15kHz, 1.0μsec
 above 30kHz, 0.5μsec
 above 64kHz, 0.3μsec.

The clamp pulse circuit in ordinary set is a long round about way, and beside high voltage, sometimes connected to external terminal, it is very easy affected by large surge. Therefore, the Fig. shown right is recommended.

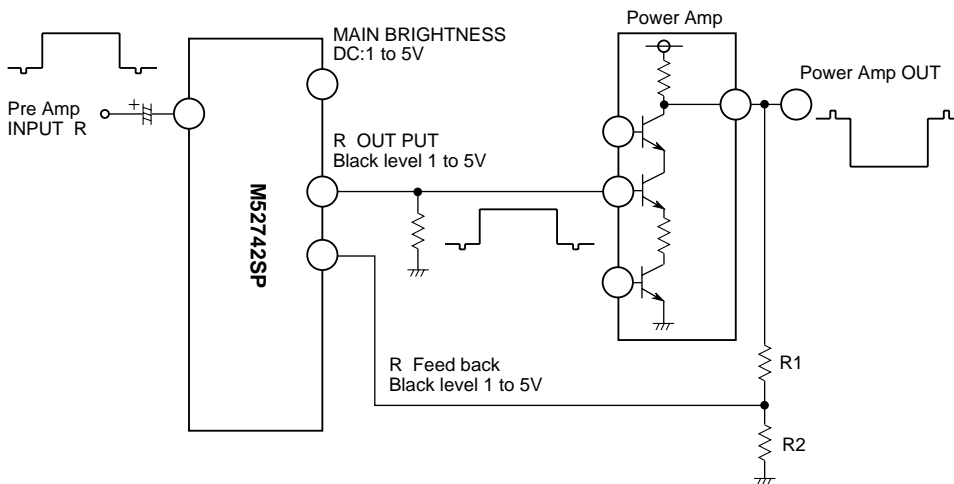


NOTICE OF APPLICATION

- Make the nearest distance between output pin and pull down resistor.
- Recommended pedestal voltage of IC output signal is 2V.

EXT-FEED BACK

In case of application circuit example of lower figure, Set up R1, R2 which seems that the black level of the signal feedbacked from Power AMP is 1V, when the bottom of output signal is 1V.



EXT-FEED BACK APPLICATION CIRCUIT