

0.56" Dual Digit Display

FEATURES

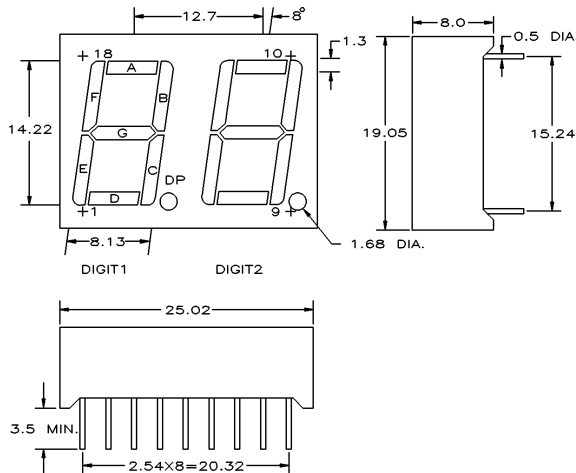
- 0.56" digit height
- Right hand decimal point
- Direct drive (also available in duplex drive)
- Additional colors/materials available

OPTO-ELECTRICAL CHARACTERISTICS (T_a = 25°C)

| PART NO. | PEAK WAVE LENGTH (nm) | EMITTED COLOR | FACE COLORS | | MAXIMUM RATINGS | | | OPTO-ELECTRICAL CHARACTERISTICS | | | | | | PIN-OUT | |
|--------------|-----------------------|---------------|---------------|-------------|-----------------|--------|---------|---------------------------------|------|-----|--------|-----|---------------|---------|-----|
| | | | SURFACE COLOR | EPOXY COLOR | IF (mA) | VR (V) | PD (mW) | VF(V) | | | IR(μA) | | IV(μcd) | | |
| | | | | | | | | typ. | max. | @mA | max. | @VR | typ. per seg. | | @mA |
| MTN2256-AG | 567 | Green | Grey | White | 30 | 5 | 85 | 2.1 | 3.0 | 20 | 100 | 5 | 2900 | 10 | 1 |
| MTN4256-AO | 635 | Orange | Grey | White | 30 | 5 | 85 | 2.1 | 3.0 | 20 | 100 | 5 | 3300 | 10 | 1 |
| MTN4256-AHR | 635 | Hi-Eff Red | Red | Red | 30 | 5 | 85 | 2.1 | 3.0 | 20 | 100 | 5 | 3300 | 10 | 1 |
| MTN7256M-AUR | 660 | Ultra Red | Black | White | 30 | 4 | 70 | 1.7 | 2.2 | 20 | 100 | 4 | 17300 | 20 | 1 |
| MTN2256-CG | 567 | Green | Grey | White | 30 | 5 | 85 | 2.1 | 3.0 | 20 | 100 | 5 | 2900 | 10 | 2 |
| MTN4256-CO | 635 | Orange | Grey | White | 30 | 5 | 85 | 2.1 | 3.0 | 20 | 100 | 5 | 3300 | 10 | 2 |
| MTN4256-CHR | 635 | Hi-Eff Red | Red | Red | 30 | 5 | 85 | 2.1 | 3.0 | 20 | 100 | 5 | 3300 | 10 | 2 |
| MTN7256M-CUR | 660 | Ultra Red | Black | White | 30 | 4 | 70 | 1.7 | 2.2 | 20 | 100 | 4 | 17300 | 20 | 2 |

Operating Temperature: -25~+85, Storage Temperature: -25~+100. Other face/epoxy colors are available.

PACKAGE DIMENSIONS AND PIN FUNCTIONS



PINOUT 1

COMMON ANODE

PIN NO. FUNCTION

1. CATHODE E (D1)
2. CATHODE D (D1)
3. CATHODE C (D1)
4. CATHODE DP (D1)
5. CATHODE E (D2)
6. CATHODE D (D2)
7. CATHODE G (D2)
8. CATHODE C (D2)
9. CATHODE DP (D2)
10. CATHODE B (D2)
11. CATHODE A (D2)
12. CATHODE F (D2)
13. D2 COMMON ANODE
14. D1 COMMON ANODE
15. CATHODE B (D1)
16. CATHODE A (D1)
17. CATHODE G (D1)
18. CATHODE F (D1)

PINOUT 2

COMMON CATHODE

PIN NO. FUNCTION

1. ANODE E (D1)
2. ANODE D (D1)
3. ANODE C (D1)
4. ANODE DP (D1)
5. ANODE E (D2)
6. ANODE D (D2)
7. ANODE G (D2)
8. ANODE C (D2)
9. ANODE DP (D2)
10. ANODE B (D2)
11. ANODE A (D2)
12. ANODE F (D2)
13. D2 COMMON CATHODE
14. D1 COMMON CATHODE
15. ANODE B (D1)
16. ANODE A (D1)
17. ANODE G (D1)
18. ANODE F (D1)

1. ALL DIMENSIONS ARE IN mm, TOLERANCE IS ±0.25mm UNLESS OTHERWISE SPECIFIED.
2. THE SLOPE ANGLE OF ANY PIN MAY BE ±5.0° MAX.

* Also Available in Duplex Drive



120 Broadway • Menands, New York 12204
Toll Free: (800) 98-4LEDS • Fax: (518) 432-7454

For up-to-date product info visit our web site at www.marktechopto.com

All specifications subject to change.