

1.8" Single Digit Display

FEATURES

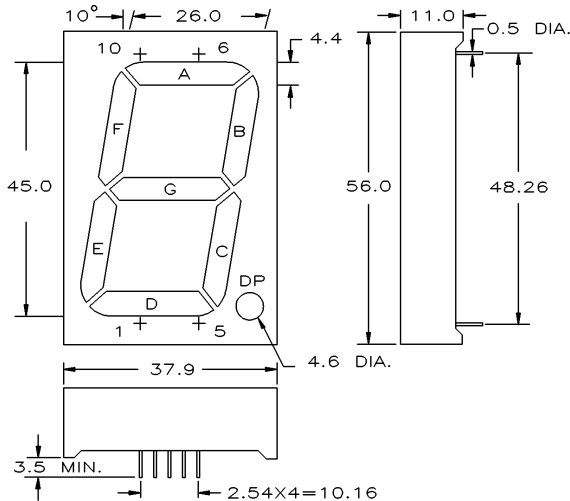
- 1.8" digit height
- Right hand decimal point
- Additional colors/materials available

OPTO-ELECTRICAL CHARACTERISTICS (Ta = 25°C)

PART NO.	PEAK WAVE LENGTH (nm)	EMITTED COLOR	FACE COLORS		MAXIMUM RATINGS			OPTO-ELECTRICAL CHARACTERISTICS						PIN-OUT	
			SURFACE COLOR	EPOXY COLOR	IF (mA)	VR (V)	PD (mW)	VF(V)			IR(μA)		IV(μcd)		
								Seg.-typ.	DP typ.	@mA	max.	@VR	typ. per seg.		@mA
MTN2118-AG	567	Green	Grey	White	30	5	85	6.3	2.1	20	100	5	4600	10	1
MTN4118-AO	635	Orange	Grey	White	30	5	85	6.3	2.1	20	100	5	5200	10	1
MTN4118-AHR	635	Hi-Eff Red	Red	Red	30	5	85	6.3	2.1	20	100	5	5200	10	1
MTN7118M-31A	660	Ultra Red	Grey	White	30	4	70	5.1	1.7	20	100	4	27400	20	1
MTN2118-CG	567	Green	Grey	White	30	5	85	6.3	2.1	20	100	5	4600	10	2
MTN4118-CO	635	Orange	Grey	White	30	5	85	6.3	2.1	20	100	5	5200	10	2
MTN4118-CHR	635	Hi-Eff Red	Red	Red	30	5	85	6.3	2.1	20	100	5	5200	10	2
MTN7118M-31C	660	Ultra Red	Grey	White	30	4	70	5.1	1.7	20	100	4	27400	20	2

Operating Temperature: -25~+85, Storage Temperature: -25~+100. Other face/epoxy colors are available.

PACKAGE DIMENSIONS AND PIN FUNCTIONS



PINOUT 1

COMMON ANODE

PIN NO. FUNCTION

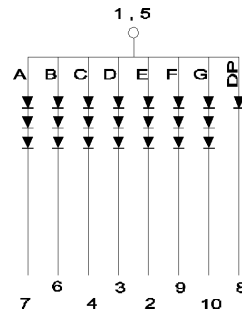
1. COMMON ANODE
2. CATHODE E
3. CATHODE D
4. CATHODE C
5. COMMON ANODE
6. CATHODE B
7. CATHODE A
8. CATHODE DP
9. CATHODE F
10. CATHODE G

PINOUT 2

COMMON CATHODE

PIN NO. FUNCTION

1. COMMON CATHODE
2. ANODE E
3. ANODE D
4. ANODE C
5. COMMON CATHODE
6. ANODE B
7. ANODE A
8. ANODE DP
9. ANODE F
10. ANODE G



1. ALL DIMENSIONS ARE IN mm, TOLERANCE IS ± 0.25 mm UNLESS OTHERWISE SPECIFIED.
2. THE SLOPE ANGLE OF ANY PIN MAY BE $\pm 5.0^\circ$ MAX.



120 Broadway • Menands, New York 12204
Toll Free: (800) 98-4LEDS • Fax: (518) 432-7454

For up-to-date product info visit our web site at www.marktechopto.com

All specifications subject to change.