

TO-5 Double-Balanced Mixer, 5 - 500 MHz

MAC-51

Features

- Convenient Microstrip or Stripline Mounting
- Low Conversion Loss: 7 dB
- Impedance: 50 Ohms Nominal
- Maximum Input Power: 300 mW Max @ 25°C, Derated linearly to 85°C @ 3.2 mW/°C
- IF-Port Current: 50 mA Max.
- MIL-STD-883 Screening Available

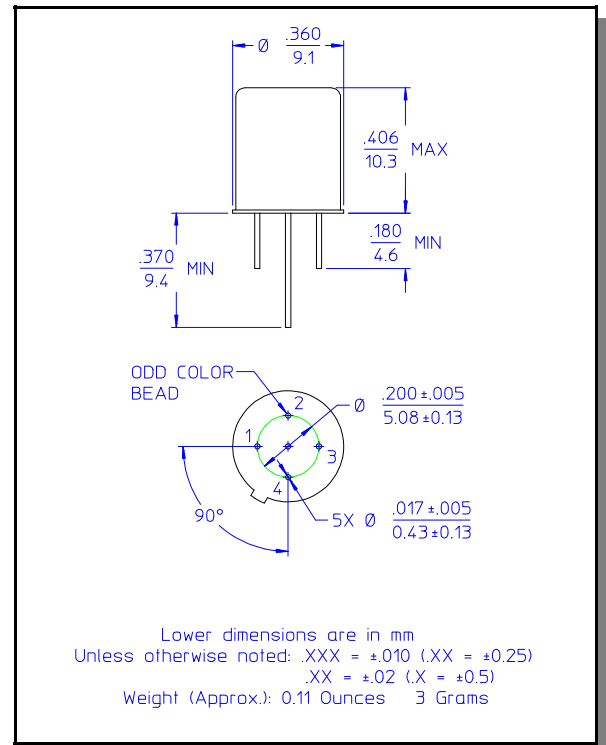
Description

Transformers convert the LO and RF paths to balanced lines connecting to a low barrier, Schottky diode ring quad. These transformers help provide excellent isolation between ports. Conversion loss is low. The direct connection of the IF port to the diode quad allows these mixers to be used as phase detectors and bi-phase modulators.

Pin Configuration

Pin No.	Function	Pin No.	Function
1	LO	3	RF
2	IF	4	GND

TO-5-2



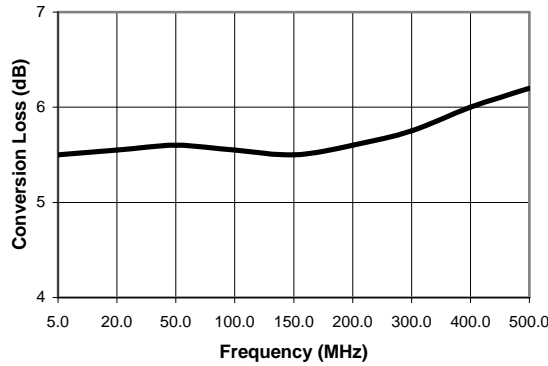
Electrical Specifications¹: T_A = -55°C to +85°C

Parameter	Test Conditions	Frequency	Units	Min	Typ	Max
Frequency Range	RF, LO Ports IF Port	5 - 500 DC - 500	MHz MHz	—	—	—
Conversion Loss		—	dB	—	—	7.0
Isolation	LO to RF	5 - 50 MHz	dB	35	—	—
		50 - 500 MHz	dB	25	—	—
	LO to IF	5 - 50 MHz	dB	35	—	—
		50 - 500 MHz	dB	25	—	—
	RF to IF	5 - 50 MHz	dB	20	—	—
		50 - 500 MHz	dB	20	—	—
DC Polarity	Negative	—	—	—	—	—
DC Offset	—	—	mV	—	≤3	—
RF Input ²	1 dB Compression 1 dB Desensitization	—	dBm	—	+2	—
		—	dBm	—	-1.5	—
SSB Noise Figure	Within 1 dB of Conversion Loss Max	—	—	—	—	—

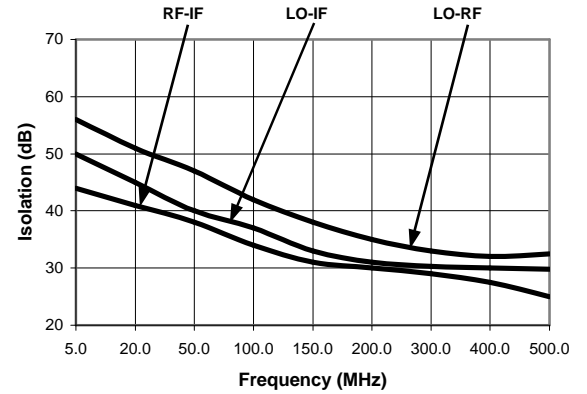
1. All specifications apply when operated at +7 dBm available LO power with 50 ohm source and load impedance.
 2. Measured at 100 MHz.

Typical Performance Curves

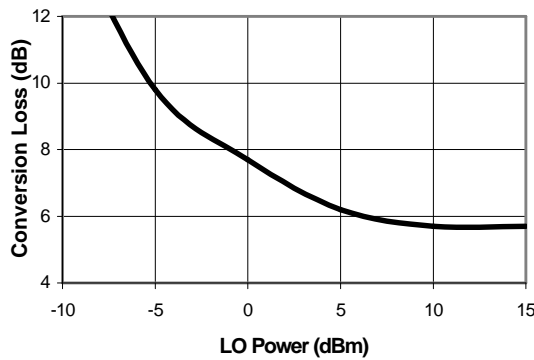
Conversion Loss



Isolation



Conversion Loss vs. LO Power



Ordering Information

Part Number	Package
MAC-51 PIN	TO-5-2

M/A-COM Inc. and its affiliates reserve the right to make changes to the product(s) or information contained herein without notice. M/A-COM makes no warranty, representation or guarantee regarding the suitability of its products for any particular purpose, nor does M/A-COM assume any liability whatsoever arising out of the use or application of any product(s) or information.

Visit www.macom.com for additional data sheets and product information.

- North America: Tel. (800) 366-2266
- Asia/Pacific: Tel.+81-44-844-8296, Fax +81-44-844-8298
- Europe: Tel. +44 (1344) 869 595, Fax+44 (1344) 300 020