

# Standalone Linear Li-Ion Battery Charger with Thermal Regulation in ThinSOT

February 2003

## FEATURES

- Programmable Charge Current Up to 800mA
- No External MOSFET, Sense Resistor or Blocking Diode Required
- Complete Linear Charger in ThinSOT™ Package for Single Cell Lithium-Ion Batteries
- Constant-Current/Constant-Voltage Operation with Thermal Regulation to Maximize Charge Rate Without Risk of Overheating
- Charges Single Cell Li-Ion Batteries Directly from USB Port
- Preset 4.2V Charge Voltage with  $\pm 1\%$  Accuracy
- Charge Current Monitor Output for Gas Gauging
- Automatic Recharge
- Charge Status Output Pin
- C/10 Charge Termination
- 25 $\mu$ A Supply Current in Shutdown
- 2.9V Trickle Charge Threshold (LTC4054)
- Available Without Trickle Charge (LTC4054X)
- Soft-Start Limits Inrush Current

## APPLICATIONS

- Cellular Telephones, PDAs
- Portable MP3 Players
- Charging Docks and Cradles
- Bluetooth Applications

## DESCRIPTION

The LTC<sup>®</sup>4054 is a complete constant-current/constant-voltage linear charger for single cell lithium-ion batteries. Its ThinSOT package and low external component count make the LTC4054 especially well-suited for portable applications. Furthermore, the LTC4054 is specifically designed to work within USB power specifications.

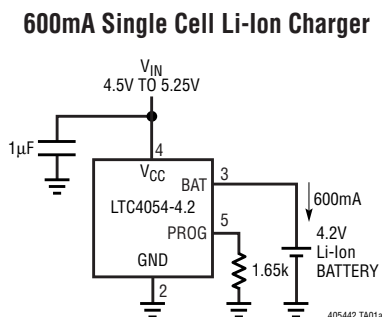
No external sense resistor is needed and no blocking diode is required due to the internal MOSFET architecture. Thermal feedback regulates the charge current to limit the die temperature during high power operation or high ambient temperature. The charge voltage is fixed at 4.2V and the charge current can be programmed externally with a single resistor. The LTC4054 automatically terminates the charge cycle when the charge current drops to 1/10th the programmed value after the final float voltage is reached.

When the input supply (wall adapter or USB supply) is removed, the LTC4054 automatically enters a low current state, dropping the battery drain current to less than 2 $\mu$ A. The LTC4054 can be put into shutdown mode, reducing the supply current to 25 $\mu$ A.

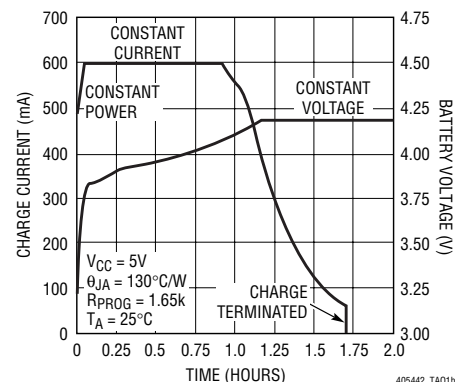
Other features include charge current monitor, undervoltage lockout, automatic recharge and a status pin to indicate charge termination and the presence of input voltage.

**LT**, LTC and LT are registered trademarks of Linear Technology Corporation.  
ThinSOT is a trademark of Linear Technology Corporation.

## TYPICAL APPLICATION



**Complete Charge Cycle (750mAh Battery)**



405442i

## ABSOLUTE MAXIMUM RATINGS

(Note 1)

|   |                          |
|---|--------------------------|
| Input Supply Voltage ( $V_{CC}$ ) .....   | -0.3 to 10V              |
| PROG .....                                | -0.3V to $V_{CC} + 0.3V$ |
| BAT, CHRG .....                           | -0.3V to 7V              |
| BAT Short-Circuit Duration .....          | Continuous               |
| BAT Pin Current .....                     | 800mA                    |
| PROG Pin Current .....                    | 800 $\mu$ A              |
| Maximum Junction Temperature .....        | 125°C                    |
| Operating Temperature Range (Note 2) ..   | -40°C to 85°C            |
| Storage Temperature Range .....           | -65°C to 125°C           |
| Lead Temperature (Soldering, 10 sec)..... | 300°C                    |

## PACKAGE/ORDER INFORMATION

|  |                                   |
|--|-----------------------------------|
|  | ORDER PART NUMBER                 |
|  | LTC4054ES5-4.2<br>LTC4054XES5-4.2 |
|  | S5 PART MARKING                   |
|  | LTH7<br>LTADY                     |

Consult LTC Marketing for parts specified with wider operating temperature ranges.

## ELECTRICAL CHARACTERISTICS

The ● denotes specifications which apply over the full operating temperature range, otherwise specifications are at  $T_A = 25^\circ\text{C}$ .  $V_{CC} = 5V$ , unless otherwise noted.

| SYMBOL                       | PARAMETER   | CONDITIONS  | MIN     | TYP     | MAX     | UNITS   |
|------------------------------|---|---|---------|---------|---------|---------|
| $V_{CC}$                     | Input Supply Voltage                                |   | ● 4.25  |         | 6.5     | V       |
| $I_{CC}$                     | Input Supply Current                                | Charge Mode (Note 3), $R_{PROG} = 2k$   | ●       | 1200    | 2000    | $\mu$ A |
|                              |   | Standby Mode (Charge Terminated)  | ●       | 200     | 500     | $\mu$ A |
|                              |   | Shutdown Mode ( $R_{PROG}$ Not Connected, $V_{CC} < V_{BAT}$ , or $V_{CC} < V_{UV}$ ) | ●       | 25      | 50      | $\mu$ A |
| $V_{FLOAT}$                  | Regulated Output (Float) Voltage                    | $0^\circ\text{C} \leq T_A \leq 85^\circ\text{C}$ , $I_{BAT} = 40\text{mA}$            | 4.158   | 4.2     | 4.242   | V       |
| $I_{BAT}$                    | BAT Pin Current                                     | $R_{PROG} = 10k$ , Current Mode   | ● 93    | 100     | 107     | mA      |
|                              |   | $R_{PROG} = 2k$ , Current Mode  | ● 465   | 500     | 535     | mA      |
|                              |   | Standby Mode, $V_{BAT} = 4.2V$  | ● 0     | -2.5    | -6      | $\mu$ A |
|                              |   | Shutdown Mode ( $R_{PROG}$ Not Connected)   |         | $\pm 1$ | $\pm 2$ | $\mu$ A |
|                              |   | Sleep Mode, $V_{CC} = 0V$   |         | $\pm 1$ | $\pm 2$ | $\mu$ A |
| $I_{TRIKL}$                  | Trickle Charge Current                              | $V_{BAT} < 2.9V$ , $R_{PROG} = 2k$ (Note 6)   | ● 20    | 45      | 70      | mA      |
| $V_{TRIKL}$                  | Trickle Charge Threshold                            | $R_{PROG} = 2k$ , $V_{BAT}$ Rising (Note 6)   | 2.8     | 2.9     | 3.0     | V       |
| $V_{TRHYS}$                  | Trickle Charge Hysteresis                           | $R_{PROG} = 2k$ (Note 6)  | 60      | 80      | 110     | mV      |
| $V_{UV}$                     | $V_{CC}$ Undervoltage Lockout Threshold             | From $V_{CC}$ Low to High   | ● 3.7   | 3.8     | 3.92    | V       |
| $V_{UVHYS}$                  | $V_{CC}$ Undervoltage Lockout Hysteresis            |   | ● 150   | 250     | 300     | mV      |
| $V_{MSD}$                    | Manual Shutdown Threshold                           | PROG Pin Rising   | ● 1.15  | 1.21    | 1.30    | V       |
|                              |   | PROG Pin Falling  | ● 0.9   | 1.0     | 1.1     | V       |
| $V_{ASD}$                    | $V_{CC} - V_{BAT}$ Lockout Threshold                | $V_{CC}$ from Low to High   | 70      | 100     | 140     | mV      |
|                              |   | $V_{CC}$ from High to Low   | 5       | 30      | 50      | mV      |
| $I_{TERM}$                   | C/10 Termination Current Threshold                  | $R_{PROG} = 10k$ (Note 5)   | ● 0.085 | 0.10    | 0.115   | mA/mA   |
|                              |   | $R_{PROG} = 2k$   | ● 0.085 | 0.10    | 0.115   | mA/mA   |
| $V_{PROG}$                   | PROG Pin Voltage                                    | $R_{PROG} = 10k$ , Current Mode   | ● 0.93  | 1.0     | 1.07    | V       |
| $I_{CHRG}$                   | $\overline{\text{CHRG}}$ Pin Weak Pull-Down Current | $V_{\overline{\text{CHRG}}} = 5V$   | 8       | 20      | 35      | $\mu$ A |
| $V_{\overline{\text{CHRG}}}$ | $\overline{\text{CHRG}}$ Pin Output Low Voltage     | $I_{\overline{\text{CHRG}}} = 5\text{mA}$   |         | 0.35    | 0.6     | V       |
| $\Delta V_{RECHRG}$          | Recharge Battery Threshold                          | $V_{FLOAT} - V_{RECHRG}$  | 100     | 150     | 200     | mV      |

## ELECTRICAL CHARACTERISTICS

The ● denotes specifications which apply over the full operating temperature range, otherwise specifications are at  $T_A = 25^\circ\text{C}$ .  $V_{CC} = 5\text{V}$ , unless otherwise noted.

| SYMBOL         | PARAMETER  | CONDITIONS   | MIN  | TYP  | MAX | UNITS            |
|----------------|--|--|------|------|-----|------------------|
| $T_{LIM}$      | Junction Temperature in Constant Temperature Mode    |  |      | 120  |     | $^\circ\text{C}$ |
| $R_{ON}$       | Power FET "ON" Resistance (Between $V_{CC}$ and BAT) | Current Mode                                       |      | 600  |     | $\text{m}\Omega$ |
| $t_{SS}$       | Soft-Start Time                                      | $I_{BAT} = 0$ to $I_{BAT} = 1000\text{V}/R_{PROG}$ |      | 100  |     | $\mu\text{s}$    |
| $t_{RECHARGE}$ | Recharge Comparator Filter Time                      | $V_{BAT}$ High to Low                              | 0.75 | 2    |     | ms               |
| $t_{TERM}$     | Termination Comparator Filter Time                   | $I_{BAT}$ Falling                                  | 400  | 1000 |     | $\mu\text{s}$    |
| $I_{PROG}$     | PROG Pin Pull-Up Current                             |  |      | 3    |     | $\mu\text{A}$    |

**Note 1:** Absolute Maximum Ratings are those values beyond which the life of the device may be impaired.

**Note 2:** The LTC4054E-4.2 and the LTC4054XE-4.2 are guaranteed to meet performance specifications from  $0^\circ\text{C}$  to  $70^\circ\text{C}$ . Specifications over the  $-40^\circ\text{C}$  to  $85^\circ\text{C}$  operating temperature range are assured by design, characterization and correlation with statistical process controls.

**Note 3:** Supply current includes PROG pin current but does not include any current delivered to the battery through the BAT pin.

**Note 4:** See Thermal Considerations.

**Note 5:**  $t_{TERM}$  is expressed as a fraction of measured full charge current with indicated PROG resistor.

**Note 6:** This parameter is not applicable to the LTC4054X.

## PIN FUNCTIONS

**CHRG (Pin 1):** Open-Drain Charge Status Output. When the battery is charging, the CHRG pin is pulled low by an internal N-channel MOSFET. When the charge cycle is completed, a weak pull-down of approximately  $20\mu\text{A}$  is connected to the CHRG pin, indicating an "AC present" condition. When the LTC4054 detects an undervoltage lockout condition, CHRG is forced to a high impedance state.

**GND (Pin 2):** Ground.

**BAT (Pin 3):** Charge Current Output. Provides charge current to the battery and regulates the final float voltage to 4.2V. An internal precision resistor divider from this pin sets the float voltage and is disconnected in shutdown mode.

**$V_{CC}$  (Pin 4):** Positive Input Supply Voltage. Provides power to the charger.  $V_{CC}$  can range from 4.25V to 6.5V and should be bypassed with at least a  $1\mu\text{F}$  capacitor. When  $V_{CC}$  drops to within 30mV of the BAT pin voltage, the

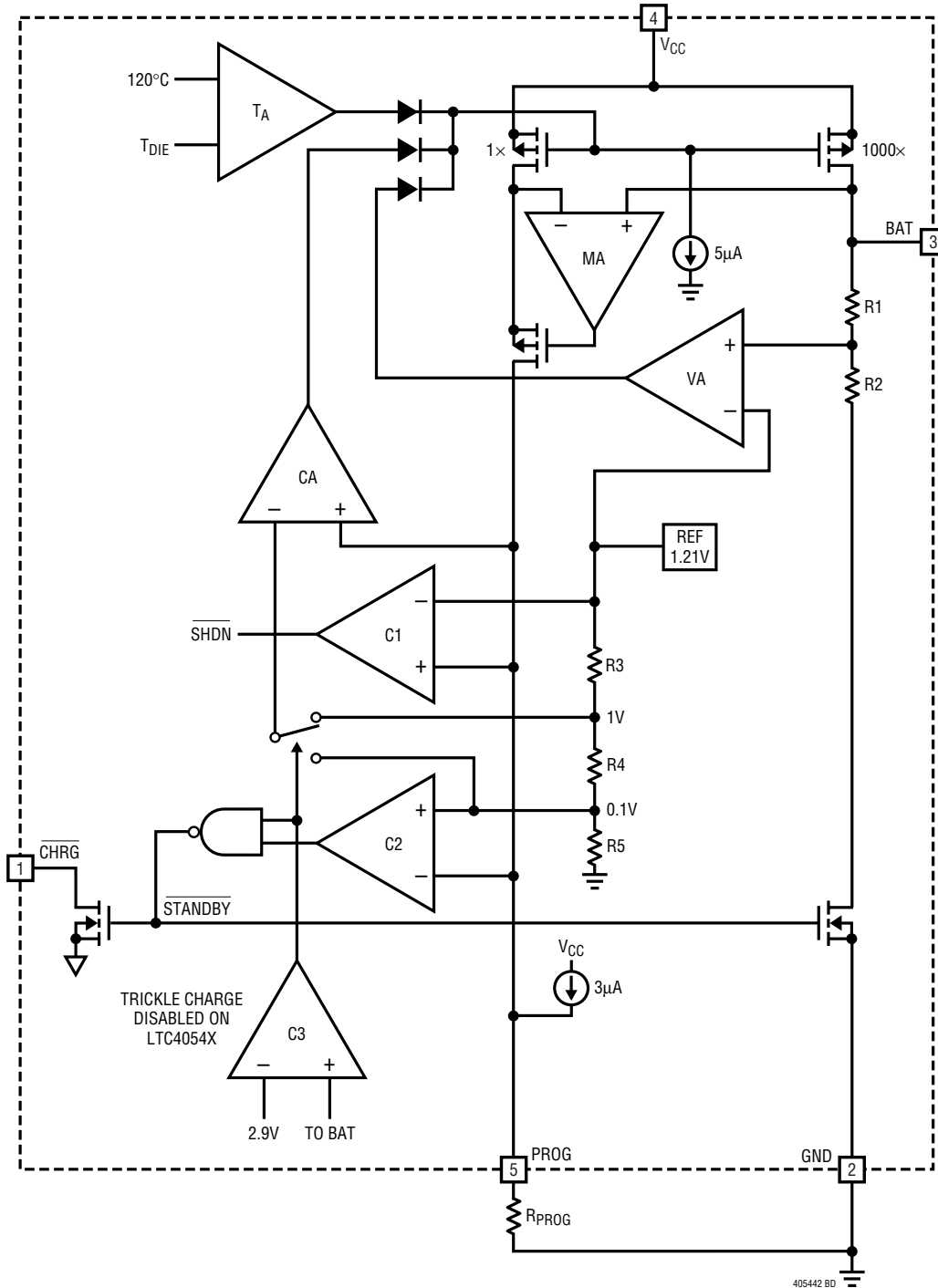
LTC4054 enters shutdown mode, dropping  $I_{BAT}$  to less than  $2\mu\text{A}$ .

**PROG (Pin 5):** Charge Current Program, Charge Current Monitor and Shutdown Pin. The charge current is programmed by connecting a 1% resistor,  $R_{PROG}$ , to ground. When charging in constant-current mode, this pin serves to 1V. In all modes, the voltage on this pin can be used to measure the charge current using the following formula:

$$I_{BAT} = (V_{PROG}/R_{PROG}) \cdot 1000$$

The PROG pin can also be used to shut down the charger. Disconnecting the program resistor from ground allows a  $3\mu\text{A}$  current to pull the PROG pin high. When it reaches the 1.21V shutdown threshold voltage, the charger enters shutdown mode, charging stops and the input supply current drops to  $25\mu\text{A}$ . This pin is also clamped to approximately 2.4V. Driving this pin to voltages beyond the clamp voltage will draw currents as high as 1.5mA. Reconnecting  $R_{PROG}$  to ground will return the charger to normal operation.

**BLOCK DIAGRAM**



405442 BD

## OPERATION

The LTC4054 is a single cell lithium-ion battery charger using a constant-current/constant-voltage algorithm. It can deliver up to 800mA of charge current (using a good thermal PCB layout) with a final float voltage accuracy of  $\pm 1\%$ . The LTC4054 includes an internal P-channel power MOSFET and thermal regulation circuitry. No blocking diode or external current sense resistor is required; thus, the basic charger circuit requires only three external components. Furthermore, the LTC4054 is capable of operating from a USB power source.

### Normal Charge Cycle

A charge cycle begins when the voltage at the  $V_{CC}$  pin rises above the UVLO threshold level and a 1% program resistor is connected from the PROG pin to ground. If the BAT pin is less than 2.9V, the charger enters trickle charge mode. In this mode, the LTC4054 supplies approximately 1/10 the programmed charge current to bring the battery voltage up to a safe level for full current charging. (Note: The LTC4054X does not include this trickle charge feature).

When the BAT pin voltage rises above 2.9V, the charger enters constant-current mode, where the programmed charge current is supplied to the battery. When the BAT pin approaches the final float voltage (4.2V), the LTC4054 enters constant-voltage mode and the charge current begins to decrease. When the charge current drops to 1/10 of the programmed value, the charge cycle ends.

### Programming Charge Current

The charge current is programmed using a single resistor from the PROG pin to ground. The battery charge current is 1000 times the current out of the PROG pin. The program resistor and the charge current are calculated using the following equations:

$$R_{\text{PROG}} = \frac{1000V}{I_{\text{CHRG}}}, \quad I_{\text{CHRG}} = \frac{1000V}{R_{\text{PROG}}}$$

The charge current out of the BAT pin can be determined at any time by monitoring the PROG pin voltage using the following equation:

$$I_{\text{BAT}} = \frac{V_{\text{PROG}}}{R_{\text{PROG}}} \cdot 1000$$

### Charge Termination

The charge cycle terminates when the charge current falls to 1/10th the programmed current. An internal comparator senses when the PROG pin voltage falls below 100mV<sup>1</sup> and puts the LTC4054 into standby mode. In standby mode, the LTC4054 ceases to provide charge current to the battery and the input supply current drops to 200 $\mu$ A. If the battery voltage drops below 4.05V, a recharge cycle will begin. To manually restart the charge cycle, the input voltage must be removed and reapplied, or the charger must be shut down and restarted by momentarily floating the PROG pin.

### Charge Status Indicator ( $\overline{\text{CHRG}}$ )

The charge status output has three different states: strong pull-down ( $\sim 10$ mA), weak pull-down ( $\sim 20\mu$ A) and high impedance. The strong pull-down state indicates that the LTC4054 is in a charge cycle. Once the charge cycle has terminated, the pin state is determined by undervoltage lockout conditions. A weak pull-down indicates that  $V_{CC}$  meets the UVLO conditions and the LTC4054 is ready to charge. High impedance indicates that the LTC4054 is in undervoltage lockout mode: either  $V_{CC}$  is within 100mV of the BAT pin voltage or insufficient voltage is applied to the  $V_{CC}$  pin. A microprocessor can be used to distinguish between these three states—this method is discussed in the Applications Information section.

**Note 1:** Any external sources that hold the PROG pin above 100mV will prevent the LTC4054 from terminating a charge cycle.

## OPERATION

### Thermal Limiting

An internal thermal feedback loop reduces the programmed charge current if the die temperature attempts to rise above a preset value of approximately 120°C. This feature protects the LTC4054 from excessive temperature and allows the user to push the limits of the power handling capability of a given circuit board without risk of damaging the LTC4054. The charge current can be set according to typical (not worst-case) ambient temperature with the assurance that the charger will automatically reduce the current in worst-case conditions. ThinSOT power considerations are discussed further in the Applications Information section.

### Undervoltage Lockout (UVLO)

An internal undervoltage lockout circuit monitors the input voltage and keeps the charger in shutdown mode until  $V_{CC}$  rises above the undervoltage lockout threshold. The UVLO circuit has a built-in hysteresis of 200mV. Furthermore, to protect against reverse current in the power MOSFET, the UVLO circuit keeps the charger in shutdown mode if  $V_{CC}$  falls to within 30mV of the battery voltage. If the UVLO comparator is tripped, the charger will not come out of shutdown mode until  $V_{CC}$  rises 100mV above the battery voltage.

### Manual Shutdown

At any point in the charge cycle, the LTC4054 can be put into shutdown mode by removing  $R_{PROG}$  thus floating the PROG pin. This reduces the battery drain current to less than 2 $\mu$ A and the supply current to less than 50 $\mu$ A. A new charge cycle can be initiated by reconnecting the program resistor.

### Automatic Recharge

Once the charge cycle is terminated, the LTC4054 continuously monitors the voltage on the BAT pin. A charge cycle restarts when the battery voltage falls below 4.05V (which corresponds to approximately 80% to 90% battery capacity). This ensures that the battery is kept at or near a fully charged condition and eliminates the need for periodic charge cycle initiations. CHRG output enters a strong pull-down state during recharge cycles.

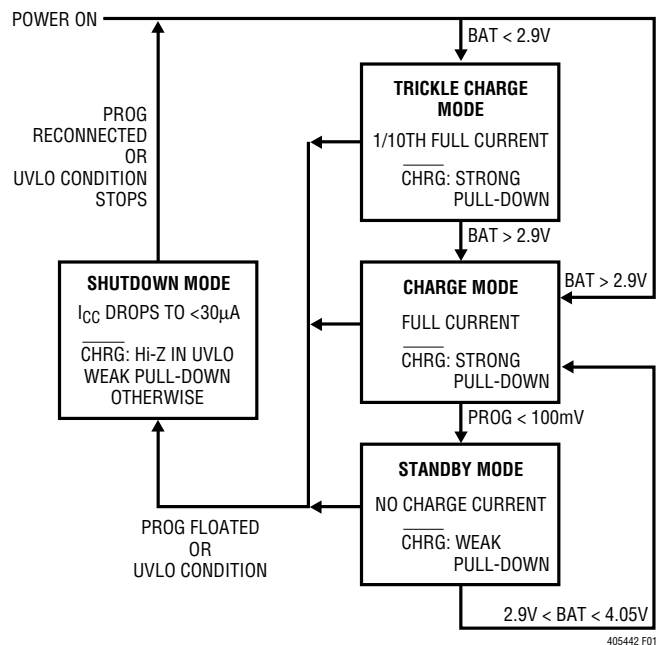


Figure 1. State Diagram of a Typical Charge Cycle

## APPLICATIONS INFORMATION

### Stability Considerations

The constant-voltage mode feedback loop is stable without an output capacitor provided a battery is connected to the charger output. With no battery present, an output capacitor is recommended to reduce ripple voltage. When using high value, low ESR ceramic capacitors, it is recommended to add a  $1\Omega$  resistor in series with the capacitor. No series resistor is needed if tantalum capacitors are used.

In constant-current mode, the PROG pin is in the feedback loop, not the battery. The constant-current mode stability is affected by the impedance at the PROG pin. With no additional capacitance on the PROG pin, the charger is stable with program resistor values as high as 20k. However, additional capacitance on this node reduces the maximum allowed program resistor. The pole frequency at the PROG pin should be kept above 100kHz. Therefore,

if the PROG pin is loaded with a capacitance,  $C_{\text{PROG}}$ , the following equation can be used to calculate the maximum resistance value for  $R_{\text{PROG}}$ :

$$R_{\text{PROG}} \leq \frac{1}{2\pi \cdot 10^5 \cdot C_{\text{PROG}}}$$

Average, rather than instantaneous, charge current may be of interest to the user. For example, if a switching power supply operating in low current mode is connected in parallel with the battery, the average current being pulled out of the BAT pin is typically of more interest than the instantaneous current pulses. In such a case, a simple RC filter can be used on the PROG pin to measure the average battery current as shown in Figure 2. A 10k resistor has been added between the PROG pin and the filter capacitor to ensure stability.

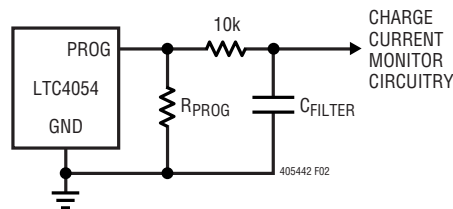


Figure 2. Isolating Capacitive Load on PROG Pin and Filtering

## APPLICATIONS INFORMATION

### Power Dissipation

The conditions that cause the LTC4054 to reduce charge current through thermal feedback can be approximated by considering the power dissipated in the IC. Nearly all of this power dissipation is generated by the internal MOSFET—this is calculated to be approximately:

$$P_D = (V_{CC} - V_{BAT}) \cdot I_{BAT}$$

where  $P_D$  is the power dissipated,  $V_{CC}$  is the input supply voltage,  $V_{BAT}$  is the battery voltage and  $I_{BAT}$  is the charge current. The approximate ambient temperature at which the thermal feedback begins to protect the IC is:

$$T_A = 120^\circ\text{C} - P_D \theta_{JA}$$

$$T_A = 120^\circ\text{C} - (V_{CC} - V_{BAT}) \cdot I_{BAT} \cdot \theta_{JA}$$

Example: An LTC4054 operating from a 5V USB supply is programmed to supply 400mA full-scale current to a discharged Li-Ion battery with a voltage of 3.75V. Assuming  $\theta_{JA}$  is 150°C/W (see Board Layout Considerations), the ambient temperature at which the LTC4054 will begin to reduce the charge current is approximately:

$$T_A = 120^\circ\text{C} - (5\text{V} - 3.75\text{V}) \cdot (400\text{mA}) \cdot 150^\circ\text{C/W}$$

$$T_A = 120^\circ\text{C} - 0.5\text{W} \cdot 150^\circ\text{C/W} = 120^\circ\text{C} - 75^\circ\text{C}$$

$$T_A = 45^\circ\text{C}$$

The LTC4054 can be used above 45°C ambient, but the charge current will be reduced from 400mA. The approximate current at a given ambient temperature can be approximated by:

$$I_{BAT} = \frac{120^\circ\text{C} - T_A}{(V_{CC} - V_{BAT}) \cdot \theta_{JA}}$$

Using the previous example with an ambient temperature of 60°C, the charge current will be reduced to approximately:

$$I_{BAT} = \frac{120^\circ\text{C} - 60^\circ\text{C}}{(5\text{V} - 3.75\text{V}) \cdot 150^\circ\text{C/W}} = \frac{60^\circ\text{C}}{187.5^\circ\text{C/A}}$$

$$I_{BAT} = 320\text{mA}$$

Moreover, when thermal feedback reduces the charge current, the voltage at the PROG pin is also reduced proportionally as discussed in the Operation section.

It is important to remember that LTC4054 applications do not need to be designed for worst-case thermal conditions since the IC will automatically reduce power dissipation when the junction temperature reaches approximately 120°C.

### Thermal Considerations

Because of the small size of the ThinSOT package, it is very important to use a good thermal PC board layout to maximize the available charge current. The thermal path for the heat generated by the IC is from the die to the copper lead frame, through the package leads, (especially the ground lead) to the PC board copper. The PC board copper is the heat sink. The footprint copper pads should be as wide as possible and expand out to larger copper areas to spread and dissipate the heat to the surrounding ambient. Feedthrough vias to inner or backside copper layers are also useful in improving the overall thermal performance of the charger. Other heat sources on the board, not related to the charger, must also be considered when designing a PC board layout because they will affect overall temperature rise and the maximum charge current.

The following table lists thermal resistance for several different board sizes and copper areas. All measurements were taken in still air on 3/32" FR-4 board with one ounce copper.

**Table 1. Measured Thermal Resistance**

| COPPER AREA         |                     | BOARD AREA          | THERMAL RESISTANCE JUNCTION-TO-AMBIENT |
|---------------------|---------------------|---------------------|--|
| TOPSIDE*            | BACKSIDE            |                     |  |
| 2500mm <sup>2</sup> | 2500mm <sup>2</sup> | 2500mm <sup>2</sup> | 125°C/W                                |
| 1000mm <sup>2</sup> | 2500mm <sup>2</sup> | 2500mm <sup>2</sup> | 125°C/W                                |
| 225mm <sup>2</sup>  | 2500mm <sup>2</sup> | 2500mm <sup>2</sup> | 130°C/W                                |
| 100mm <sup>2</sup>  | 2500mm <sup>2</sup> | 2500mm <sup>2</sup> | 135°C/W                                |
| 50mm <sup>2</sup>   | 2500mm <sup>2</sup> | 2500mm <sup>2</sup> | 150°C/W                                |

\*Device is mounted on topside



## APPLICATIONS INFORMATION

### Increasing Thermal Regulation Current

Reducing the voltage drop across the internal MOSFET can significantly decrease the power dissipation in the IC. This has the effect of increasing the current delivered to the battery during thermal regulation. One method is by dissipating some of the power through an external component, such as a resistor or diode.

Example: An LTC4054 operating from a 5V wall adapter is programmed to supply 800mA full-scale current to a discharged Li-Ion battery with a voltage of 3.75V. Assuming  $\theta_{JA}$  is 125°C/W, the approximate charge current at an ambient temperature of 25°C is:

$$I_{BAT} = \frac{120^{\circ}\text{C} - 25^{\circ}\text{C}}{(5\text{V} - 3.75\text{V}) \cdot 125^{\circ}\text{C} / \text{W}} = 608\text{mA}$$

By dropping voltage across a resistor in series with a 5V wall adapter (shown in Figure 3), the on-chip power dissipation can be decreased, thus increasing the thermally regulated charge current.

$$I_{BAT} = \frac{120^{\circ}\text{C} - 25^{\circ}\text{C}}{(V_S - I_{BAT}R_{CC} - V_{BAT}) \cdot \theta_{JA}}$$

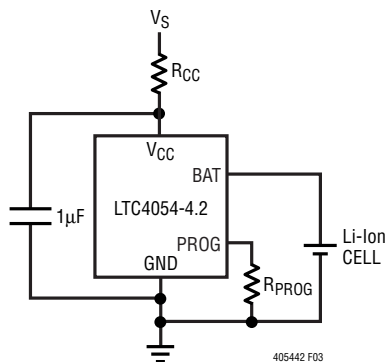


Figure 3. A Circuit to Maximize Thermal Mode Charge Current

Solving for  $I_{BAT}$  using the quadratic formula<sup>2</sup>.

$$I_{BAT} = \frac{(V_S - V_{BAT}) - \sqrt{(V_S - V_{BAT})^2 - \frac{4R_{CC}(120^{\circ}\text{C} - T_A)}{\theta_{JA}}}}{2R_{CC}}$$

Using  $R_{CC} = 0.25\Omega$ ,  $V_S = 5\text{V}$ ,  $V_{BAT} = 3.75\text{V}$ ,  $T_A = 25^{\circ}\text{C}$  and  $\theta_{JA} = 125^{\circ}\text{C}/\text{W}$  we can calculate the thermally regulated charge current to be:

$$I_{BAT} = 708.4\text{mA}$$

While this application delivers more energy to the battery and reduces charge time in thermal mode, it may actually lengthen charge time in voltage mode if  $V_{CC}$  becomes low enough to put the LTC4054 into dropout. Figure 4 shows how this circuit can result in dropout as  $R_{CC}$  becomes large.

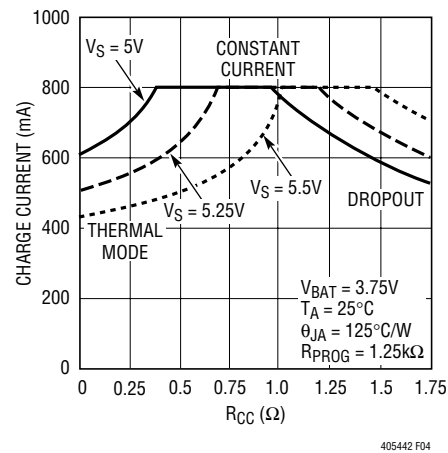


Figure 4. Charge Current vs  $R_{CC}$

This technique works best when  $R_{CC}$  values are minimized to keep component size small and avoid dropout. Remember to choose a resistor with adequate power handling capability.

### $V_{CC}$ Bypass Capacitor

Many types of capacitors can be used for input bypassing, however, caution must be exercised when using multi-layer ceramic capacitors. Because of the self-resonant and high Q characteristics of some types of ceramic capacitors, high voltage transients can be generated under some start-up conditions, such as connecting the charger input to a live power source. Adding a 1.5Ω resistor in series with an X5R ceramic capacitor will minimize start-up voltage transients. For more information, refer to Application Note 88.

**Note 2:** Large values of  $R_{CC}$  will result in no solution for  $I_{BAT}$ . This indicates that the LTC4054 will not generate enough heat to require thermal regulation.

## APPLICATIONS INFORMATION

### Charge Current Soft-Start

The LTC4054 includes a soft-start circuit to minimize the inrush current at the start of a charge cycle. When a charge cycle is initiated, the charge current ramps from zero to the full-scale current over a period of approximately 100 $\mu$ s. This has the effect of minimizing the transient current load on the power supply during start-up.

### $\overline{\text{CHRG}}$ Status Output Pin

With no battery present, the  $\overline{\text{CHRG}}$  pin can provide an indication that the input voltage is present and it is greater than the undervoltage lockout threshold level. A weak pull-down current of approximately 20 $\mu$ A indicates that sufficient voltage is applied to  $V_{\text{CC}}$  to begin charging. When a discharged battery is connected to the charger, the constant current portion of the charge cycle begins and the  $\overline{\text{CHRG}}$  pin pulls to ground. The  $\overline{\text{CHRG}}$  pin can sink up to 10mA to drive an LED that indicates that a charge cycle is in progress.

When the battery is nearing full charge, the charger enters the constant-voltage portion of the charge cycle and the charge current begins to drop. When the charge current drops below 1/10 of the programmed current, the charge cycle ends and the strong pull-down is replaced by the 20 $\mu$ A pull-down, indicating that the charge cycle has ended. If the input voltage is removed or drops below the undervoltage lockout threshold, the  $\overline{\text{CHRG}}$  pin becomes

high impedance. Figure 5 shows that by using two different value pull-up resistors, a microprocessor can detect all three states from this pin.

To detect when the LTC4054 is in charge mode, force the digital output pin (OUT) high and measure the voltage at the  $\overline{\text{CHRG}}$  pin. The N-channel MOSFET will pull the pin voltage low even with the 2k pull-up resistor. Once the charge cycle terminates, the N-channel MOSFET is turned off and a 20 $\mu$ A current source is connected to the  $\overline{\text{CHRG}}$  pin. The IN pin will then be pulled high by the 2k pull-up resistor. To determine if there is a weak pull-down current, the OUT pin should be forced to a high impedance state. The weak current source will pull the IN pin low through the 800k resistor; if  $\overline{\text{CHRG}}$  is high impedance, the IN pin will be pulled high, indicating that the part is in a UVLO state.

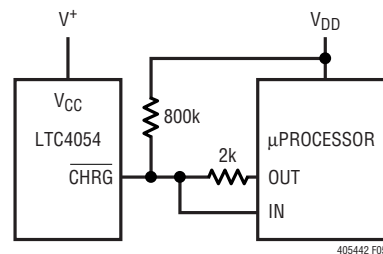
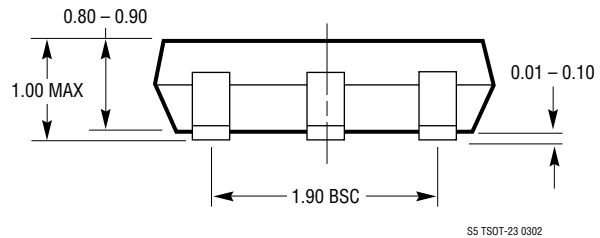
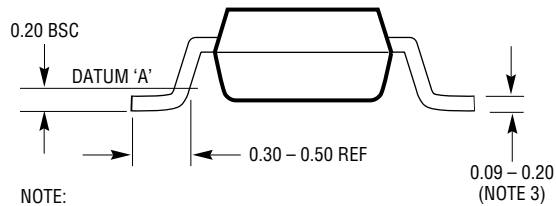
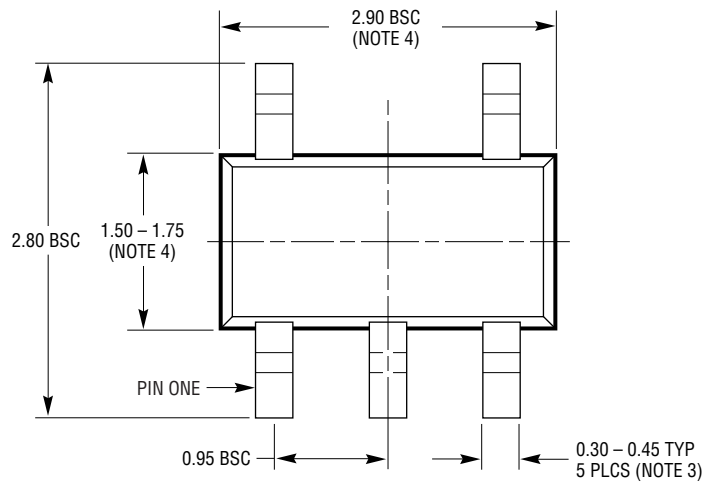
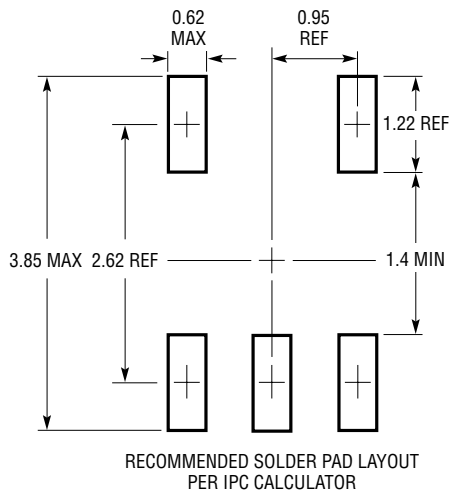


Figure 5. Using a Microprocessor to Determine  $\overline{\text{CHRG}}$  State

# PACKAGE DESCRIPTION

**S5 Package**  
**5-Lead Plastic TSOT-23**  
 (Reference LTC DWG # 05-08-1635)

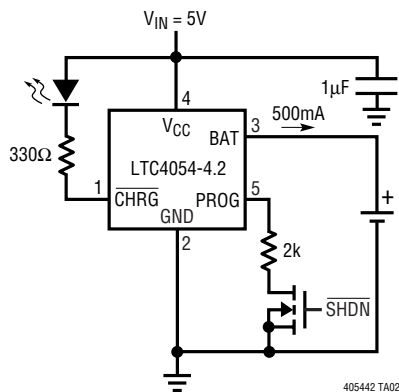


- NOTE:
1. DIMENSIONS ARE IN MILLIMETERS
  2. DRAWING NOT TO SCALE
  3. DIMENSIONS ARE INCLUSIVE OF PLATING
  4. DIMENSIONS ARE EXCLUSIVE OF MOLD FLASH AND METAL BURR
  5. MOLD FLASH SHALL NOT EXCEED 0.254mm
  6. JEDEC PACKAGE REFERENCE IS MO-193

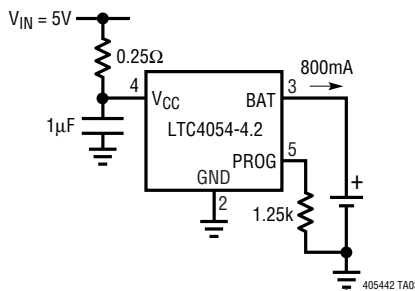
SS TSOT-23 0302

## TYPICAL APPLICATION

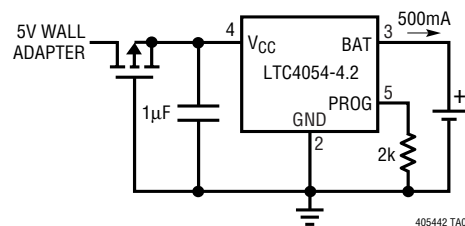
**Full Featured Single Cell Li-Ion Charger**



**800mA Li-Ion Charger with External Power Dissipation**



**Basic Li-Ion Battery Charger with Reverse Polarity Input Protection**



## RELATED PARTS

| PART NUMBER | DESCRIPTION   | COMMENTS  |
|-------------|---|---|
| LT1571      | 200kHz/500kHz Switching Battery Charger             | Up to 1.5A Charge Current; Preset and Adjustable Battery Voltages   |
| LTC1729     | Lithium-Ion Battery Charger Termination Controllers | Time or Charge Current Termination, Preconditioning 8-Lead MSOP   |
| LTC1730     | Lithium-Ion Battery Pulse Charger                   | No Blocking Diode Required, Current Limit for Maximum Safety  |
| LTC1731     | Lithium-Ion Linear Battery Charger Controller       | Simple Charger uses External FET, Features Preset Voltages, C/10 Charger Detection and Programmable Timer   |
| LTC1732     | Lithium-Ion Linear Battery Charger Controller       | Simple Charger uses External FET, Features Preset Voltages, C/10 Charger Detection and Programmable Timer, Input Power Good Indication  |
| LTC1733     | Monolithic Lithium-Ion Linear Battery Charger       | Standalone Charger with Programmable Timer, Up to 1.5A Charge Current   |
| LTC1734     | Lithium-Ion Linear Battery Charger in ThinSOT       | Simple ThinSOT Charger, No Blocking Diode, No Sense Resistor Needed   |
| LTC1734L    | Lithium-Ion Linear Battery Charger in ThinSOT       | Accurate, Low Current Version of LTC1734  |
| LTC1998     | Lithium-Ion Low Battery Detector                    | 1% Accurate 2.5μA Quiescent Current, SOT-23   |
| LTC4050     | Lithium-Ion Linear Battery Charger Controller       | Simple Charger uses External FET, Features Preset Voltages, C/10 Charger Detection and Programmable Timer, Input Power Good Indication, Thermistor Interface                                |
| LTC4052     | Monolithic Lithium-Ion Battery Pulse Charger        | No Blocking Diode or External Power FET Required  |
| LTC4053     | USB Compatible Monolithic Li-Ion Battery Charger    | Standalone Charger with Programmable Timer, Up to 1.25A Charge Current  |
| LTC4410     | USB Power Manager                                   | For Simultaneous Operation of USB Peripheral and Battery Charging from USB Port, Keeps Current Drawn from USB Port Constant, Keeps Battery Fresh, Use with the LTC4053, LTC1733, or LTC4054 |