

FCB11N60

600V N-Channel MOSFET

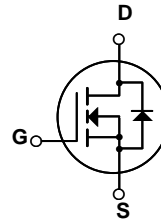
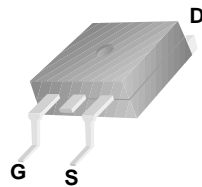
Features

- 650V @ $T_J = 150^\circ\text{C}$
- Typ. $R_{DS(on)} = 0.32\Omega$
- Ultra low gate charge (typ. $Q_g = 40\text{nC}$)
- Low effective output capacitance (typ. $C_{OSS,eff} = 95\text{pF}$)
- 100% avalanche tested

Description

SuperFET™ is, Fairchild's proprietary, new generation of high voltage MOSFET family that is utilizing an advanced charge balance mechanism for outstanding low on-resistance and lower gate charge performance.

This advanced technology has been tailored to minimize conduction loss, provide superior switching performance, and withstand extreme dv/dt rate and higher avalanche energy. Consequently, SuperFET is very suitable for various AC/DC power conversion in switching mode operation for system miniaturization and higher efficiency.



Absolute Maximum Ratings

| Symbol | Parameter | FCB11N60 | Unit |
|----------------|--|-------------|--------------------------|
| V_{DSS} | Drain-Source Voltage | 600 | V |
| I_D | Drain Current - Continuous ($T_C = 25^\circ\text{C}$) - Continuous ($T_C = 100^\circ\text{C}$) | 11 7 | A A |
| I_{DM} | Drain Current - Pulsed (Note 1) | 33 | A |
| V_{GSS} | Gate-Source voltage | ± 30 | V |
| E_{AS} | Single Pulsed Avalanche Energy (Note 2) | 340 | mJ |
| I_{AR} | Avalanche Current (Note 1) | 11 | A |
| E_{AR} | Repetitive Avalanche Energy (Note 1) | 12.5 | mJ |
| dv/dt | Peak Diode Recovery dv/dt (Note 3) | 4.5 | V/ns |
| P_D | Power Dissipation ($T_C = 25^\circ\text{C}$) - Derate above 25°C | 125 1.0 | W W/ $^\circ\text{C}$ |
| T_J, T_{STG} | Operating and Storage Temperature Range | -55 to +150 | $^\circ\text{C}$ |
| T_L | Maximum Lead Temperature for Soldering Purpose, 1/8" from Case for 5 Seconds | 300 | $^\circ\text{C}$ |

Thermal Characteristics

| Symbol | Parameter | FCB11N60 | Unit |
|-------------------|--|----------|---------------------------|
| $R_{\theta JC}$ | Thermal Resistance, Junction-to-Case | 1.0 | $^\circ\text{C}/\text{W}$ |
| $R_{\theta JA}^*$ | Thermal Resistance, Junction-to-Ambient* | 40 | $^\circ\text{C}/\text{W}$ |
| $R_{\theta JA}$ | Thermal Resistance, Junction-to-Ambient | 62.5 | $^\circ\text{C}/\text{W}$ |

* When mounted on the minimum pad size recommended (PCB Mount)

Package Marking and Ordering Information

| Device Marking | Device | Package | Reel Size | Tape Width | Quantity |
|----------------|----------|---------------------|-----------|------------|----------|
| FCB11N60 | FCB11N60 | D ² -PAK | 330mm | 24m | 800 |

Electrical Characteristics T_C = 25°C unless otherwise noted

| Symbol | Parameter | Conditions | Min | Typ | Max | Units |
|---|---|--|-------------|------|------|-------|
| Off Characteristics | | | | | | |
| BV _{DSS} | Drain-Source Breakdown Voltage | V _{GS} = 0V, I _D = 250μA, T _J = 25°C | 600 | -- | -- | V |
| | | V _{GS} = 0V, I _D = 250μA, T _J = 150°C | -- | 650 | -- | V |
| ΔBV _{DSS} / ΔT _J | Breakdown Voltage Temperature Coefficient | I _D = 250μA, Referenced to 25°C | -- | 0.6 | -- | V/°C |
| BV _{DS} | Drain-Source Avalanche Breakdown Voltage | V _{GS} = 0V, I _D = 11A | -- | 700 | -- | V |
| I _{DSS} | Zero Gate Voltage Drain Current | V _{DS} = 600V, V _{GS} = 0V | -- | -- | 1 | μA |
| | | V _{DS} = 480V, T _C = 125°C | -- | -- | 10 | μA |
| I _{GSSF} | Gate-Body Leakage Current, Forward | V _{GS} = 30V, V _{DS} = 0V | -- | -- | 100 | nA |
| I _{GSSR} | Gate-Body Leakage Current, Reverse | V _{GS} = -30V, V _{DS} = 0V | -- | -- | -100 | nA |
| On Characteristics | | | | | | |
| V _{GS(th)} | Gate Threshold Voltage | V _{DS} = V _{GS} , I _D = 250μA | 3.0 | -- | 5.0 | V |
| R _{DS(on)} | Static Drain-Source On-Resistance | V _{GS} = 10V, I _D = 5.5A | -- | 0.32 | 0.38 | Ω |
| g _{FS} | Forward Transconductance | V _{DS} = 40V, I _D = 5.5A (Note 4) | -- | 9.7 | -- | S |
| Dynamic Characteristics | | | | | | |
| C _{iss} | Input Capacitance | V _{DS} = 25V, V _{GS} = 0V, f = 1.0MHz | -- | 1148 | 1490 | pF |
| C _{oss} | Output Capacitance | | -- | 671 | 870 | pF |
| C _{rss} | Reverse Transfer Capacitance | | -- | 63 | -- | pF |
| C _{oss} | Output Capacitance | V _{DS} = 480V, V _{GS} = 0V, f = 1.0MHz | -- | 35 | -- | pF |
| C _{oss eff.} | Effective Output Capacitance | V _{DS} = 0V to 400V, V _{GS} = 0V | -- | 95 | -- | pF |
| Switching Characteristics | | | | | | |
| t _{d(on)} | Turn-On Delay Time | V _{DD} = 300V, I _D = 11A R _G = 25Ω | -- | 34 | 80 | ns |
| t _r | Turn-On Rise Time | | -- | 98 | 205 | ns |
| t _{d(off)} | Turn-Off Delay Time | | -- | 119 | 250 | ns |
| t _f | Turn-Off Fall Time | | (Note 4, 5) | -- | 56 | 120 |
| Q _g | Total Gate Charge | V _{DS} = 480V, I _D = 11A V _{GS} = 10V | -- | 40 | 52 | nC |
| Q _{gs} | Gate-Source Charge | | -- | 7.2 | -- | nC |
| Q _{gd} | Gate-Drain Charge | | (Note 4, 5) | -- | 21 | -- |
| Drain-Source Diode Characteristics and Maximum Ratings | | | | | | |
| I _S | Maximum Continuous Drain-Source Diode Forward Current | | -- | -- | 11 | A |
| I _{SM} | Maximum Pulsed Drain-Source Diode Forward Current | | -- | -- | 33 | A |
| V _{SD} | Drain-Source Diode Forward Voltage | V _{GS} = 0V, I _S = 11A | -- | -- | 1.4 | V |
| t _{rr} | Reverse Recovery Time | V _{GS} = 0V, I _S = 11A di _f /dt = 100A/μs (Note 4) | -- | 390 | -- | ns |
| Q _{rr} | Reverse Recovery Charge | | -- | 5.7 | -- | μC |

Notes:

1. Repetitive Rating: Pulse width limited by maximum junction temperature
2. I_{AS} = 11A, V_{DD} = 50V, R_G = 25Ω, Starting T_J = 25°C
3. I_{SD} ≤ 11A, di_f/dt ≤ 200A/μs, V_{DD} ≤ BV_{DSS}, Starting T_J = 25°C
4. Pulse Test: Pulse width ≤ 300μs, Duty Cycle ≤ 2%
5. Essentially Independent of Operating Temperature Typical Characteristics

Typical Performance Characteristics

Figure 1. On-Region Characteristics

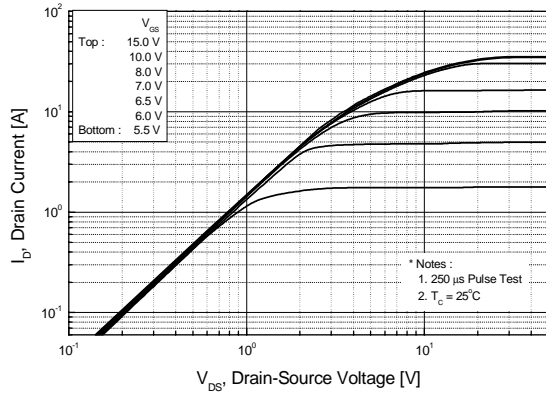


Figure 2. Transfer Characteristics

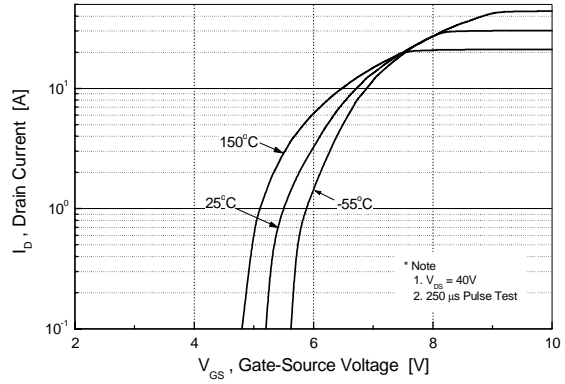


Figure 3. On-Resistance Variation vs. Drain Current and Gate Voltage

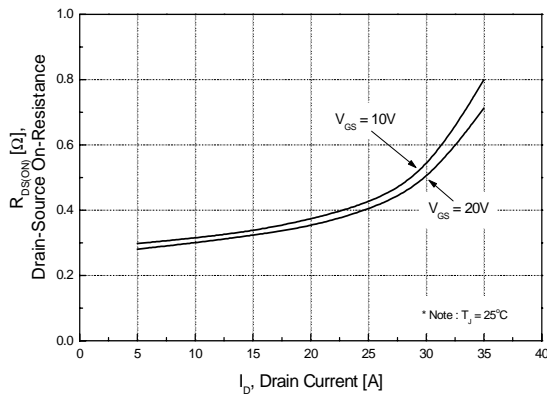


Figure 4. Body Diode Forward Voltage Variation vs. Source Current and Temperature

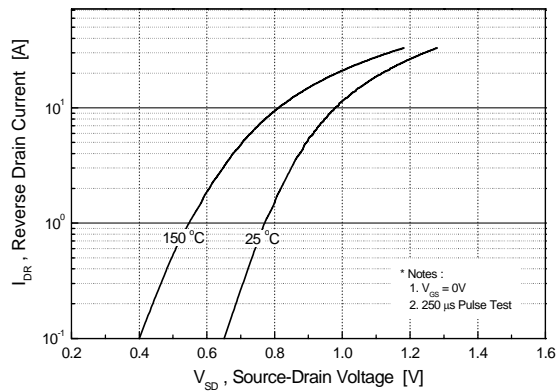


Figure 5. Capacitance Characteristics

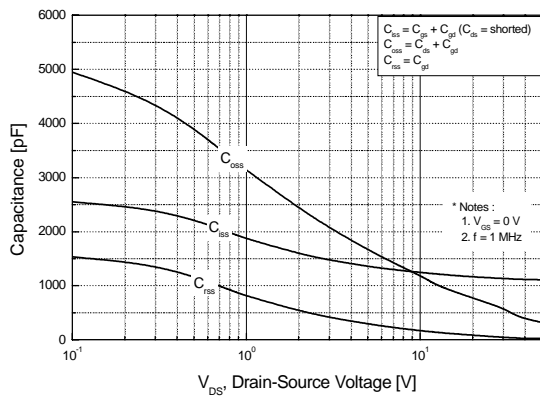
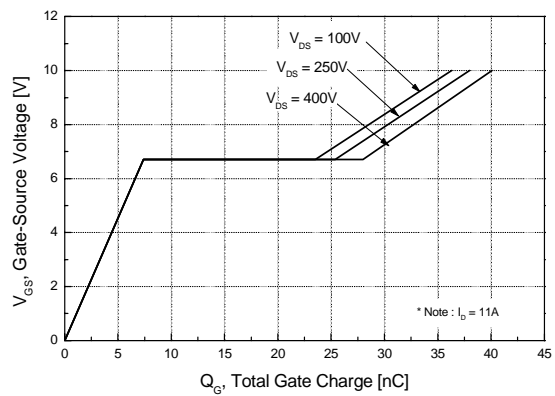


Figure 6. Gate Charge Characteristics



Typical Performance Characteristics (Continued)

Figure 7. Breakdown Voltage Variation vs. Temperature

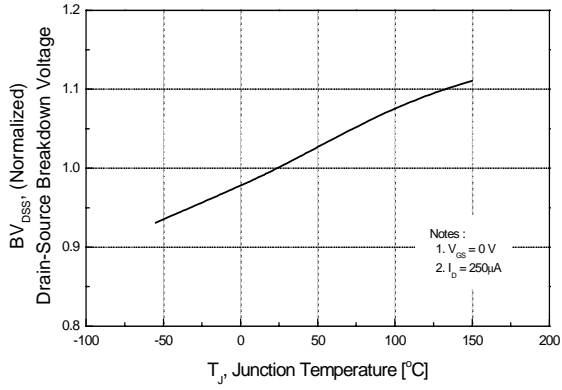


Figure 8. On-Resistance Variation vs. Temperature

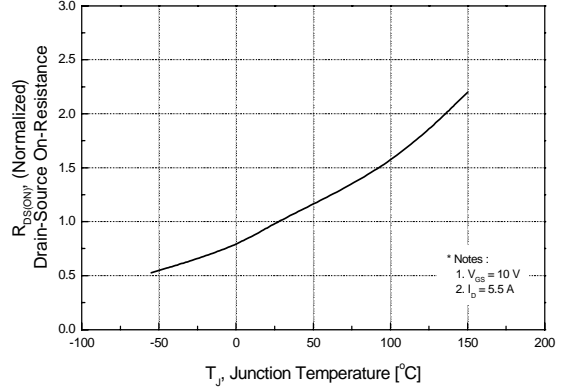


Figure 9-1. Maximum Safe Operating Area

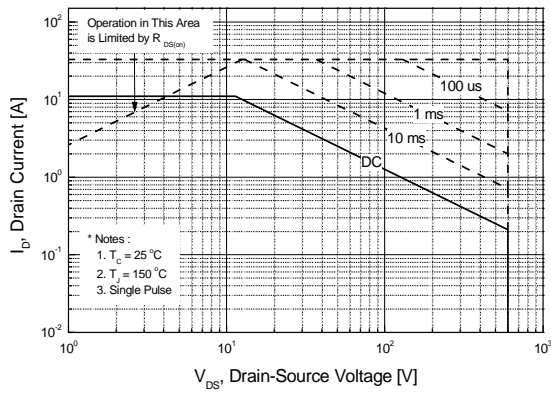


Figure 10. Maximum Drain Current vs. Case Temperature

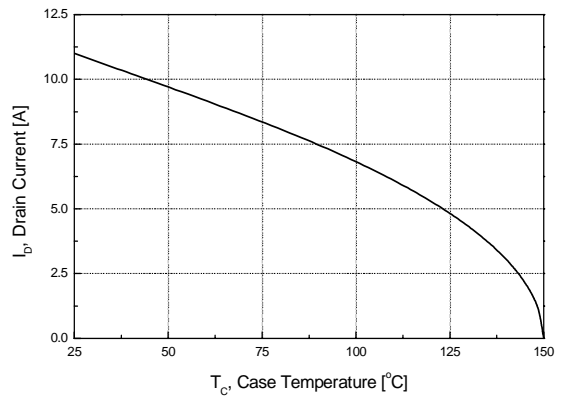
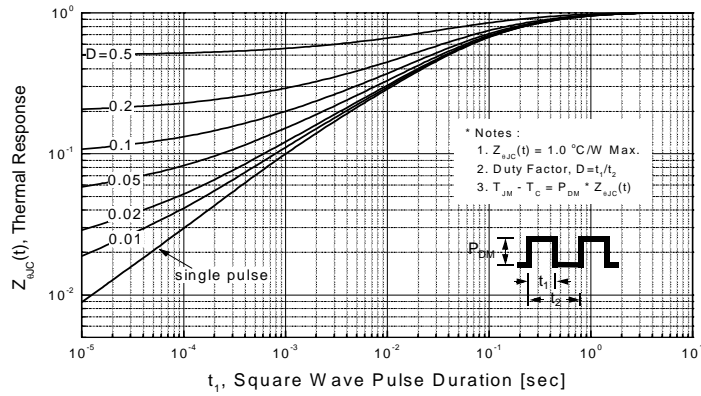
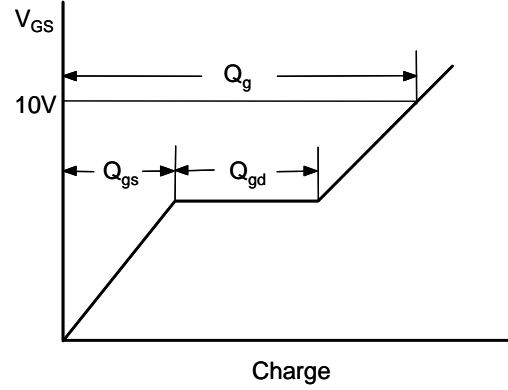
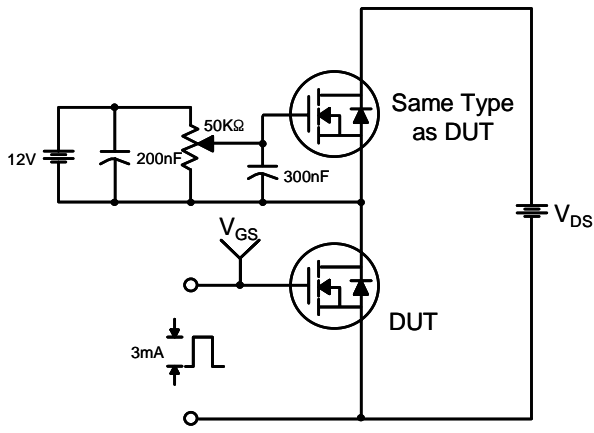


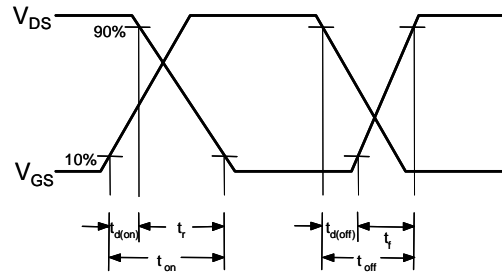
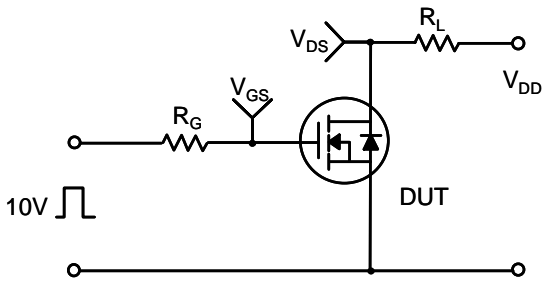
Figure 11. Transient Thermal Response Curve



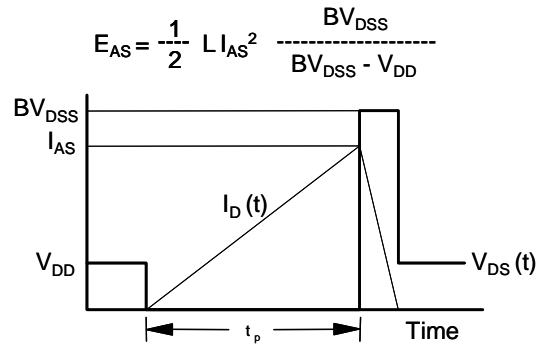
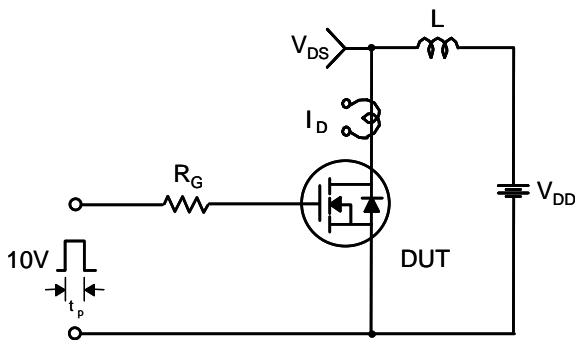
Gate Charge Test Circuit & Waveform



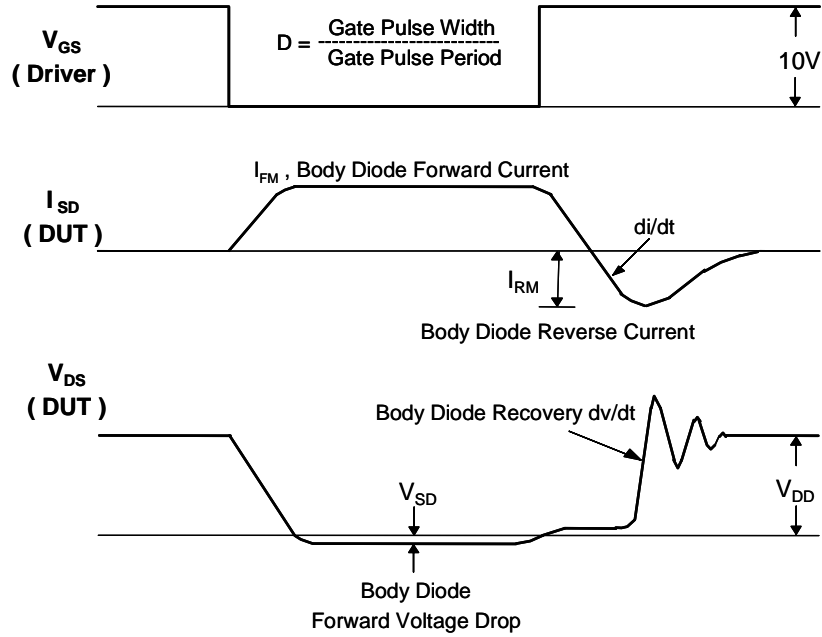
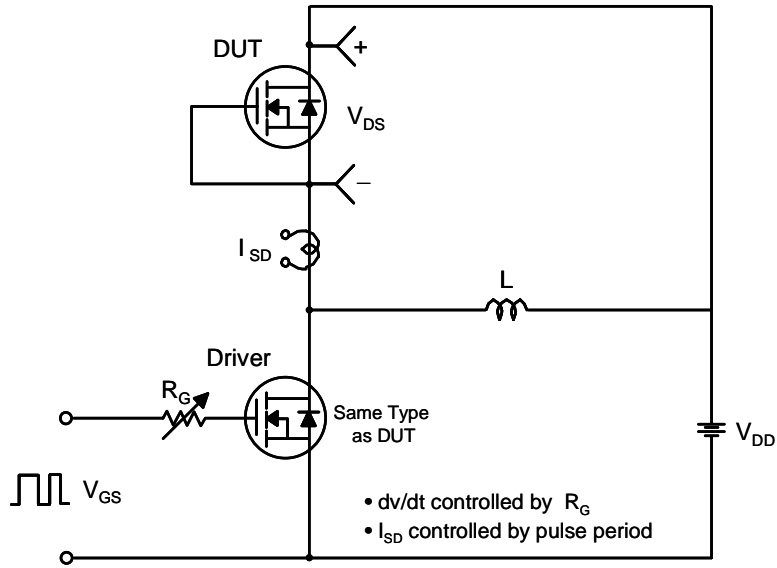
Resistive Switching Test Circuit & Waveforms



Unclamped Inductive Switching Test Circuit & Waveforms

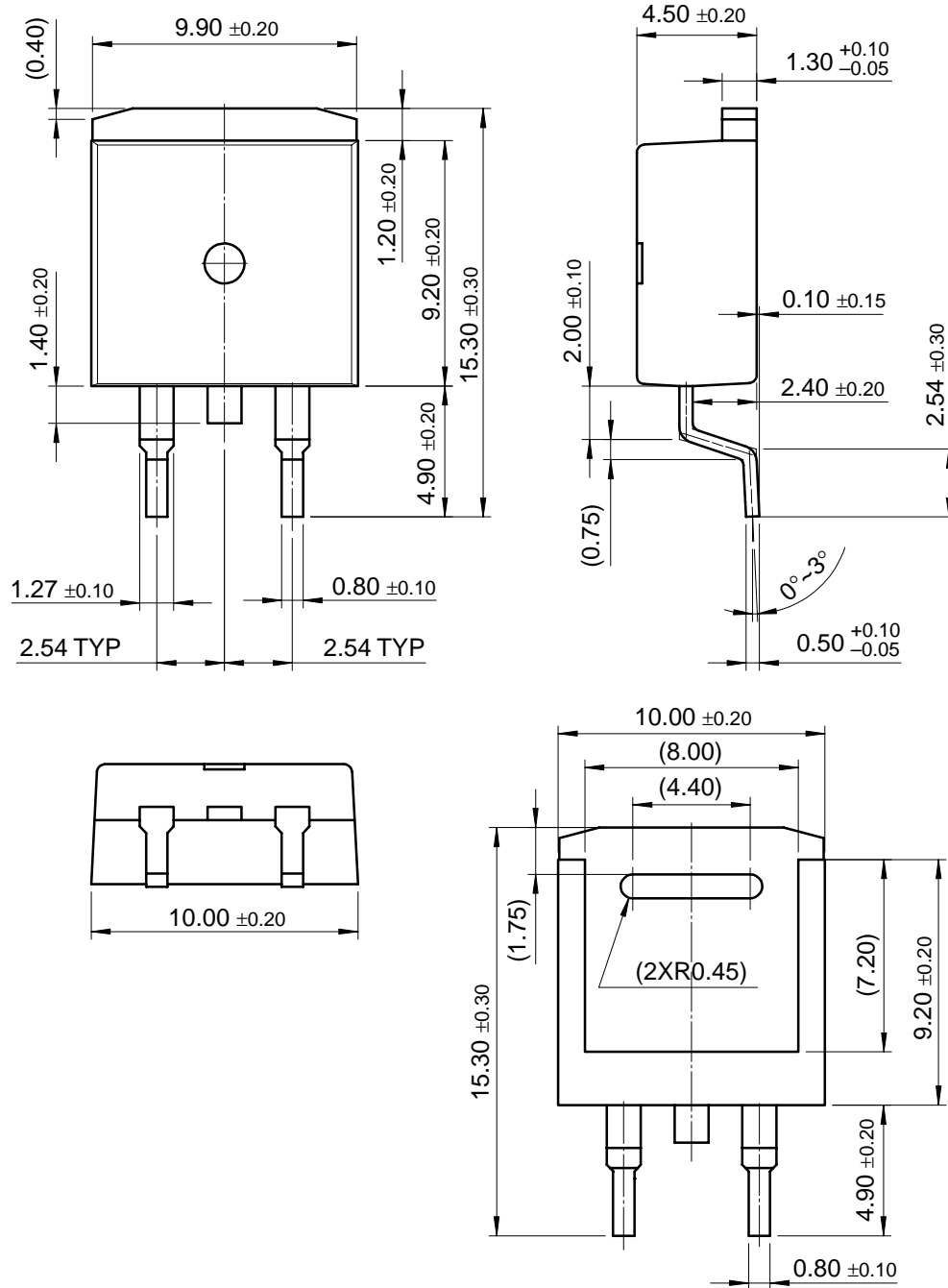


Peak Diode Recovery dv/dt Test Circuit & Waveforms



Mechanical Dimensions

D²-PAK



Dimensions in Millimeters

TRADEMARKS

The following are registered and unregistered trademarks Fairchild Semiconductor owns or is authorized to use and is not intended to be an exhaustive list of all such trademarks.

| | | | | |
|--------------------------------------|---------------------|------------------------|------------------------------|------------------------|
| ACE ^x ™ | FAST [®] | IntelliMAX™ | POP™ | SPM™ |
| ActiveArray™ | FAST ^r ™ | ISOPANAR™ | Power247™ | Stealth™ |
| Bottomless™ | FPS™ | LittleFET™ | PowerEdge™ | SuperFET™ |
| CoolFET™ | FRFET™ | MICROCOUPLER™ | PowerSaver™ | SuperSOT™-3 |
| CROSSVOLT™ | GlobalOptoisolator™ | MicroFET™ | PowerTrench [®] | SuperSOT™-6 |
| DOME™ | GTO™ | MicroPak™ | QFET [®] | SuperSOT™-8 |
| EcoSPARK™ | HiSeC™ | MICROWIRE™ | QS™ | SyncFET™ |
| E ² CMOST™ | I ² C™ | MSX™ | QT Optoelectronics™ | TinyLogic [®] |
| EnSigna™ | i-Lo™ | MSXPro™ | Quiet Series™ | TINYOPTO™ |
| FACT™ | ImpliedDisconnect™ | OCX™ | RapidConfigure™ | TruTranslation™ |
| FACT Quiet Series™ | | OCXPro™ | RapidConnect™ | UHC™ |
| Across the board. Around the world.™ | | OPTOLOGIC [®] | μSerDes™ | UltraFET [®] |
| The Power Franchise [®] | | OPTOPLANAR™ | SILENT SWITCHER [®] | UniFET™ |
| Programmable Active Droop™ | | PACMAN™ | SMART START™ | VCX™ |

DISCLAIMER

FAIRCHILD SEMICONDUCTOR RESERVES THE RIGHT TO MAKE CHANGES WITHOUT FURTHER NOTICE TO ANY PRODUCTS HEREIN TO IMPROVE RELIABILITY, FUNCTION OR DESIGN. FAIRCHILD DOES NOT ASSUME ANY LIABILITY ARISING OUT OF THE APPLICATION OR USE OF ANY PRODUCT OR CIRCUIT DESCRIBED HEREIN; NEITHER DOES IT CONVEY ANY LICENSE UNDER ITS PATENT RIGHTS, NOR THE RIGHTS OF OTHERS.

LIFE SUPPORT POLICY

FAIRCHILD'S PRODUCTS ARE NOT AUTHORIZED FOR USE AS CRITICAL COMPONENTS IN LIFE SUPPORT DEVICES OR SYSTEMS WITHOUT THE EXPRESS WRITTEN APPROVAL OF FAIRCHILD SEMICONDUCTOR CORPORATION.

As used herein:

1. Life support devices or systems are devices or systems which, (a) are intended for surgical implant into the body, or (b) support or sustain life, or (c) whose failure to perform when properly used in accordance with instructions for use provided in the labeling, can be reasonably expected to result in significant injury to the user.
2. A critical component is any component of a life support device or system whose failure to perform can be reasonably expected to cause the failure of the life support device or system, or to affect its safety or effectiveness.

PRODUCT STATUS DEFINITIONS

Definition of Terms

| Datasheet Identification | Product Status | Definition |
|--------------------------|------------------------|---|
| Advance Information | Formative or In Design | This datasheet contains the design specifications for product development. Specifications may change in any manner without notice. |
| Preliminary | First Production | This datasheet contains preliminary data, and supplementary data will be published at a later date. Fairchild Semiconductor reserves the right to make changes at any time without notice in order to improve design. |
| No Identification Needed | Full Production | This datasheet contains final specifications. Fairchild Semiconductor reserves the right to make changes at any time without notice in order to improve design. |
| Obsolete | Not In Production | This datasheet contains specifications on a product that has been discontinued by Fairchild semiconductor. The datasheet is printed for reference information only. |

Rev. I15