



EVERLIGHT ELECTRONICS CO.,LTD.

Device Number : DLE-136-061 REV: 1.0

10 mm Round High Intensity LEDs

MODEL NO : 1363-2SURC/S530-A6 ECN : _____ Page: 1/4

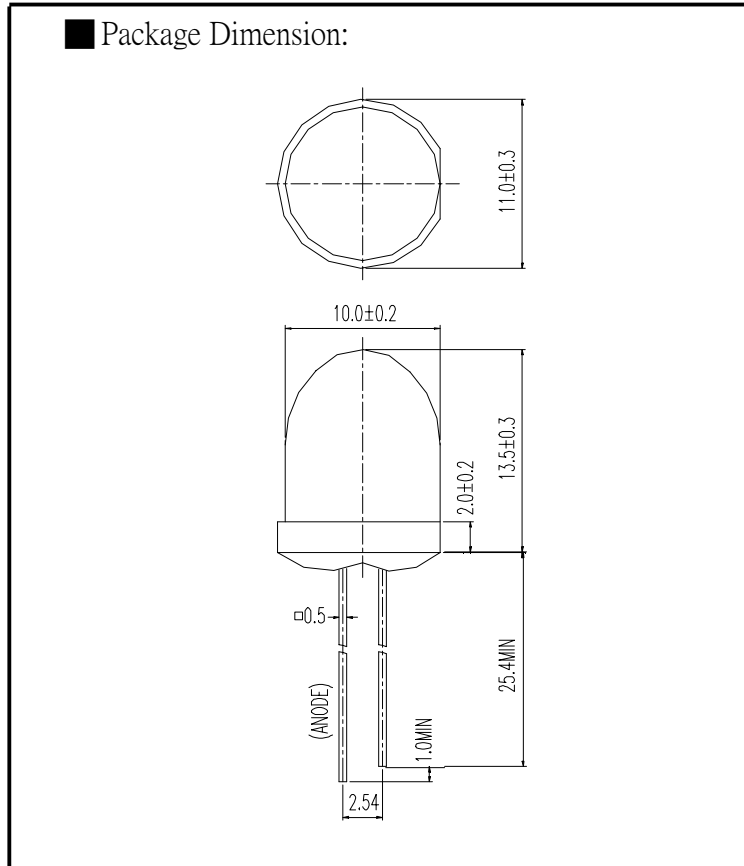
Features :

- High luminous power.
- Can be driven at low current.
- 2.54mm lead spacing.

Description :

- The series is specially designed for applications require higher brightness than is achievable with standard lamp.
- The LED lamps are available with different colors,intensities, epoxy colors, etc.

Package Dimension:



Applications :

- TV Set
- Monitor
- Telephone
- Computer

NOTES :

- 1.All dimensions are in millimeters.
- 2.An epoxy meniscus may extend about 1.5mm(0.059") down to the lead.

PART NO	CHIP		Lens Color
	Material	Emitted Color	
1363-2SURC/S530-A6	AlGaInP	Hyper Red	Water Clear

OFFICE : NO. 25,Lane 76,Sec.3, Chung Yang Rd., Tucheng 236, Taipei, Taiwan, R.O.C.

TEL : 886-2-2267-2000,2267-9936

FAX : 886-2-2267-6244,22676189,22676306

<http://www.everlight.com>

Device Number : DLE-136-061 REV: 1.0

10 mm Round High Intensity LEDs

MODEL NO : 1363-2SURC/S530-A6 ECN : _____ Page: 2/4■ Absolute Maximum Ratings at $T_a = 25^\circ\text{C}$

Parameter	Symbol	Rating	Unit
Forward Current	I _f	25	mA
Operating Temperature	T _{opr}	-40 to +85	°C
Storage Temperature	T _{stg}	-40 to +100	°C
Soldering Temperature	T _{sol}	260 ± 5	°C
Electrostatic Discharge :	ESD	2000	V
Power Dissipation	P _d	60	mW
Peak Forward Current(Duty 1/10 @ 1KHZ)	I _{f(Peak)}	160	mA
Reverse voltage	V _r	5	V

■ Electronic Optical Characteristics :

Parameter	Symbol	MIN.	TYP.	MAX.	Unit	Condition
Luminous intensity	I _v	---- 2170	223 3710	----	mcd	I _f =2mA I _f =20mA
Viewing Angle	2θ 1/2	-----	6	----	deg	I _f =20mA
Peak Wavelength	λ _p	----	632	----	nm	I _f =20mA
Dominant Wavelength	λ _d	----	624	----	nm	I _f =20mA
Spectrum Radiation Bandwidth	Δλ	----	20	----	nm	I _f =20mA
Forward Voltage	V _f	----	2.0	2.4	V	I _f =20mA
Reverse Current	I _r	----	----	10	μA	V _r =5V



EVERLIGHT ELECTRONICS CO.,LTD.

Device Number : DLE-136-061

REV: 1.0

10 mm Round High Intensity LEDs

MODEL NO 1363-2SURC/S530-A6

ECN :

Page: 4/4

■ Reliability test items and conditions

NO	Item	Test Conditions	Test Hours/Cycle	Sample Size	Ac/Re
1	Soldering Heat	TEMP : 260°C ± 5 °C	5 SEC	76 Pcs	0/1
2	Temperature Cycle	H : +85°C 30min ∫ 5 min L : -55°C 30min	50 CYCLE	76 Pcs	0/1
3	Thermal Shock	H : +100°C 5min ∫ 10 sec L : -10°C 5min	50 CYCLE	76 Pcs	0/1
4	High Temperature Storage	TEMP : 100°C	1000 HRS	76 Pcs	0/1
5	Low Temperature Storage	TEMP : -55°C	1000 HRS	76 Pcs	0/1
6	DC Operating Life	If = 20 mA	1000 HRS	76 Pcs	0/1
7	High Temperature / High Humidity	85°C/85% RH	1000 HRS	76 Pcs	0/1



10 mm Round High Intensity LEDs

■ Typical Electro-Optical Characteristic Curvres

