

## DESCRIPTION

The LD7000 Servo and Spindle Pre-driver, a CMOS monolithic integrated circuit housed in a 64-lead TQFP package operates from +5 V and +12 V supplies. It is designed to drive a voice coil actuator and a 3-phase, Hall-sensorless motor with **external power MOSFETs**. The device is intended for use in 12 V disk drive applications.

The actuator driver includes a saturation detector to monitor the loop compensation amplifier for saturation, an uncommitted opamp for input signal conditioning, a voltage reference to provide a precise voltage level for internal PWM buffers, and reduced power dissipation.

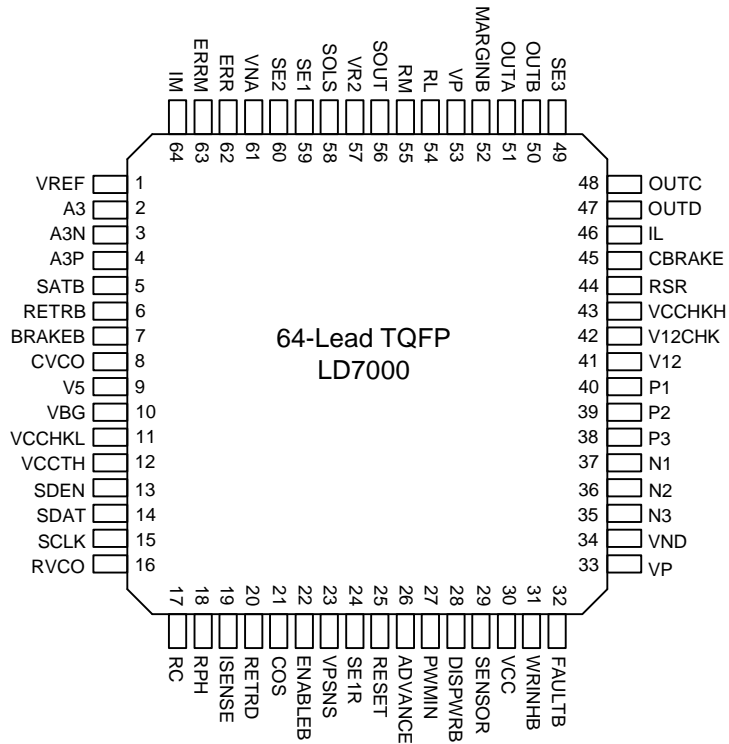
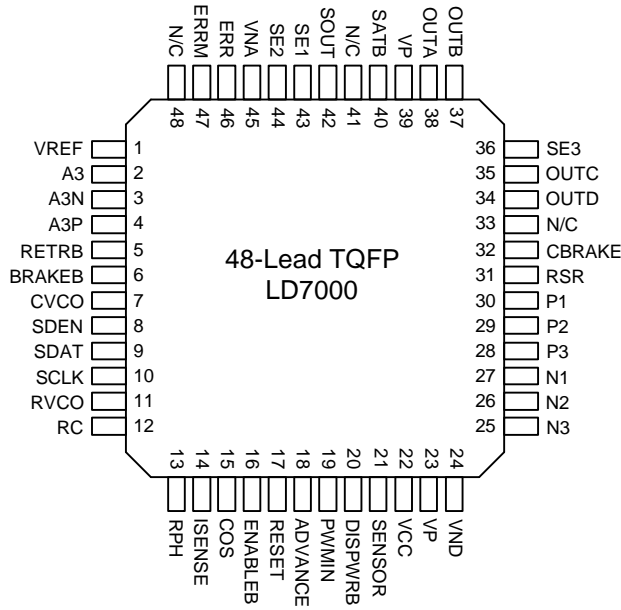
The spindle driver includes a  $\mu$ P controlled startup ramp to replace the imprecise analog ramp, an external PWM input to allow PWM frequencies above the audible range, active pullup on the P driver, adjustable N-channel slew rate, and improved spindle brake performance.

A precision low voltage monitor circuit is also added to monitor +5 V and +12 V supplies and to initiate servo head retracts during voltage faults. All functions are controlled by an SSI compatible read/write serial port.

Three DC-DC converter circuits for 2.5V, 3.3V, & -3/-5V supplies are also available for digital chips and MR bias negative supply.

## FEATURES

- Small footprint 64 or 48 pin TQFP package
- Spindle driver is PWM during run and start
- Commutator is driven by a phase lock loop for high jitter immunity
- Adjustable slew rate to minimize stress in the power MOSFETs
- Microprocessor controlled spindle startup
- Saturation detector to monitor loop compensation amplifier status
- Precision low voltage monitor circuitry for both +5 V and +12 V supplies, LD7000 only
- Dual level retract scheme includes adjustable pulse mode, LD7000 only
- Serial Port control



This document may contain preliminary information and is subject to change by LDIC without notice. LDIC assumes no responsibility or liability for any use of this information herein. Nothing in this document shall operate as an express or implied license of indemnity under the intellectual property rights of LDIC or third parties. NO WARRANTIES OF ANY KIND, INCLUDING, BUT NOT LIMITED TO, THE IMPLIES WARRANTIES OF MERCHANTABILITY OR FITNESS FOR A PARTICULAR PURPOSE, ARE OFFERED IN THIS DOCUMENT.