



CYPRESS

PRELIMINARY

CY7C1470V33
CY7C1472V33
CY7C1474V33

72-Mbit (2M x 36/4M x 18/1M x 72) Pipelined SRAM with NoBL™ Architecture

Features

- Pin-compatible and functionally equivalent to ZBT™
- Supports 250-MHz bus operations with zero wait states
 - Available speed grades are 250, 200, and 167 MHz
- Internally self-timed output buffer control to eliminate the need to use asynchronous OE
- Fully registered (inputs and outputs) for pipelined operation
- Byte Write capability
- Single 3.3V power supply
- 3.3V/2.5V I/O power supply
- Fast clock-to-output time
 - 3.0 ns (for 250-MHz device)
 - 3.0 ns (for 200-MHz device)
 - 3.4 ns (for 167-MHz device)
- Clock Enable (\overline{CEN}) pin to suspend operation
- Synchronous self-timed writes
- CY7C1470V33 and CY7C1472V33 available in lead-free 100 TQFP, and 165-ball fBGA packages. CY7C1474V33 available in 209-ball fBGA package
- IEEE 1149.1 JTAG Boundary Scan compatible
- Burst capability—linear or interleaved burst order
- “ZZ” Sleep Mode option and Stop Clock option

Functional Description

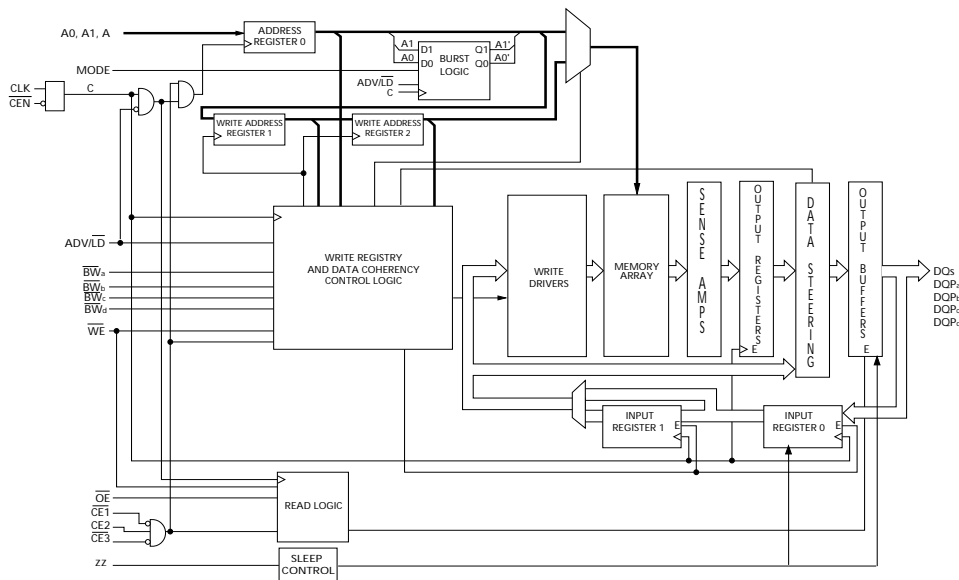
The CY7C1470V33, CY7C1472V33, and CY7C1474V33 are 3.3V, 2M x 36/4M x 18/1M x 72 Synchronous pipelined burst SRAMs with No Bus Latency™ (NoBL™) logic, respectively. They are designed to support unlimited true back-to-back Read/Write operations with no wait states. The CY7C1470V33, CY7C1472V33, and CY7C1474V33 are equipped with the advanced (NoBL) logic required to enable consecutive Read/Write operations with data being transferred on every clock cycle. This feature dramatically improves the throughput of data in systems that require frequent Write/Read transitions. The CY7C1470V33, CY7C1472V33, and CY7C1474V33 are pin compatible and functionally equivalent to ZBT devices.

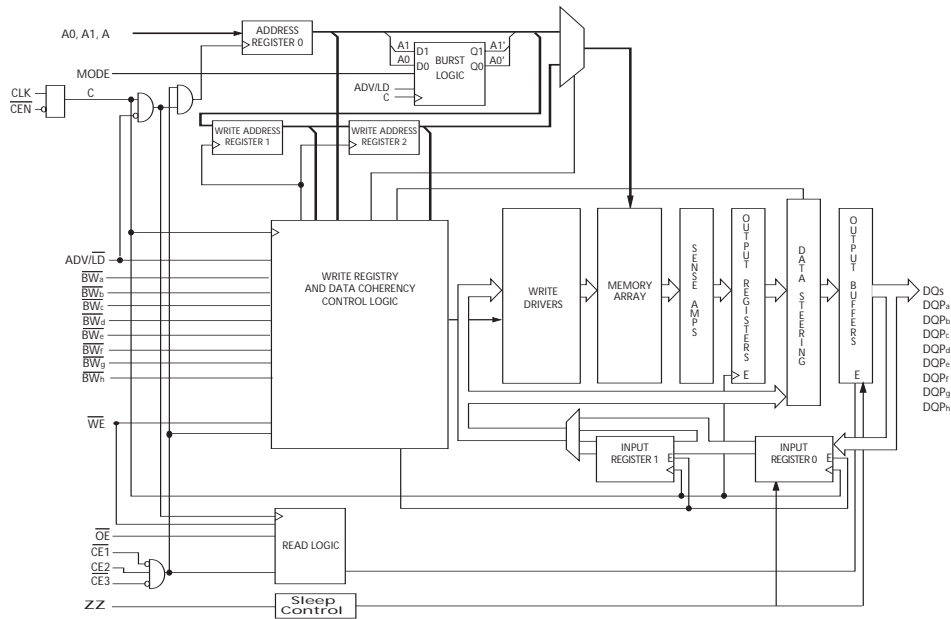
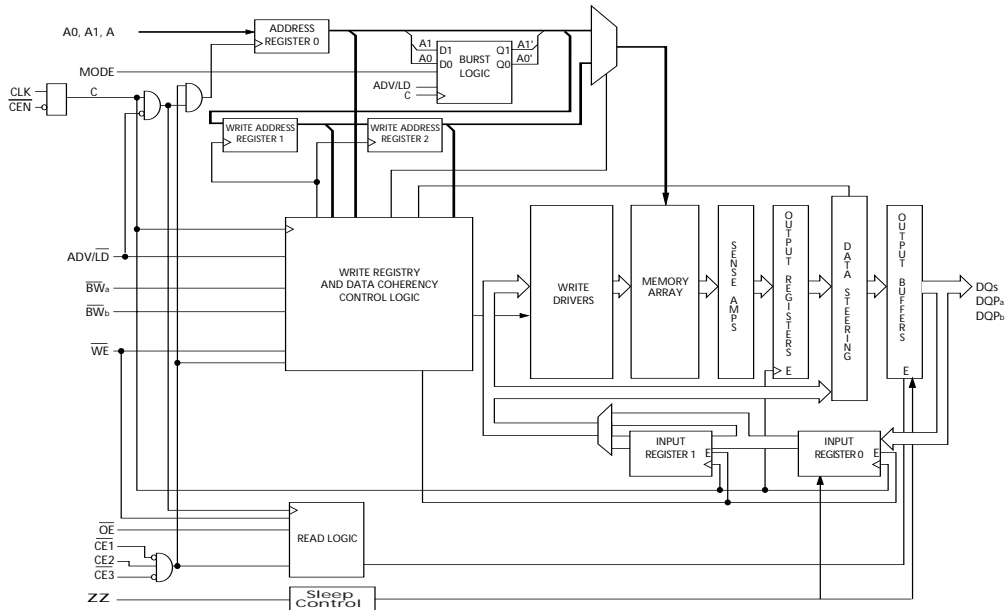
All synchronous inputs pass through input registers controlled by the rising edge of the clock. All data outputs pass through output registers controlled by the rising edge of the clock. The clock input is qualified by the Clock Enable (\overline{CEN}) signal, which when deasserted suspends operation and extends the previous clock cycle.

Write operations are controlled by the Byte Write Selects (BW_a – BW_b for CY7C1474V33, BW_a – BW_d for CY7C1470V33 and BW_a – BW_b for CY7C1472V33) and a Write Enable (\overline{WE}) input. All writes are conducted with on-chip synchronous self-timed write circuitry.

Three synchronous Chip Enables (\overline{CE}_1 , \overline{CE}_2 , \overline{CE}_3) and an asynchronous Output Enable (\overline{OE}) provide for easy bank selection and output tri-state control. In order to avoid bus contention, the output drivers are synchronously tri-stated during the data portion of a write sequence.

Logic Block Diagram-CY7C1470V33 (2M x 36)



Logic Block Diagram-CY7C1474V33 (1M x 72)

Logic Block Diagram-CY7C1472V33 (4M x 18)

Selection Guide

| | CY7C1470V33-250 CY7C1472V33-250 CY7C1474V33-250 | CY7C1470V33-200 CY7C1472V33-200 CY7C1474V33-200 | CY7C1470V33-167 CY7C1472V33-167 CY7C1474V33-167 | Unit |
|------------------------------|---|---|---|------|
| Maximum Access Time | 3.0 | 3.0 | 3.4 | ns |
| Maximum Operating Current | 500 | 500 | 450 | mA |
| Maximum CMOS Standby Current | 120 | 120 | 120 | mA |

Shaded areas contain advance information.
Please contact your local Cypress sales representative for availability of these parts.

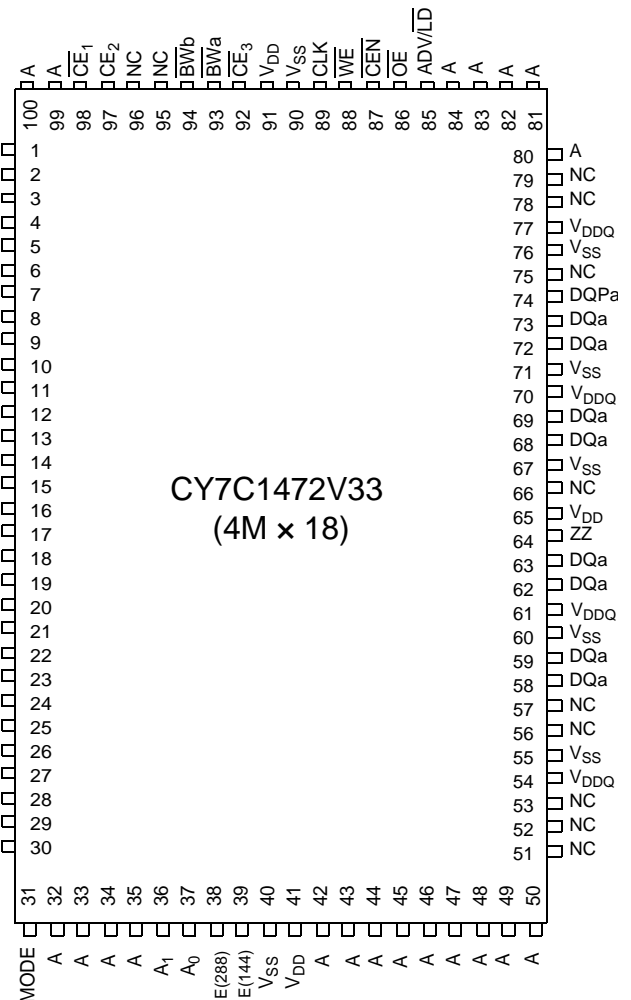
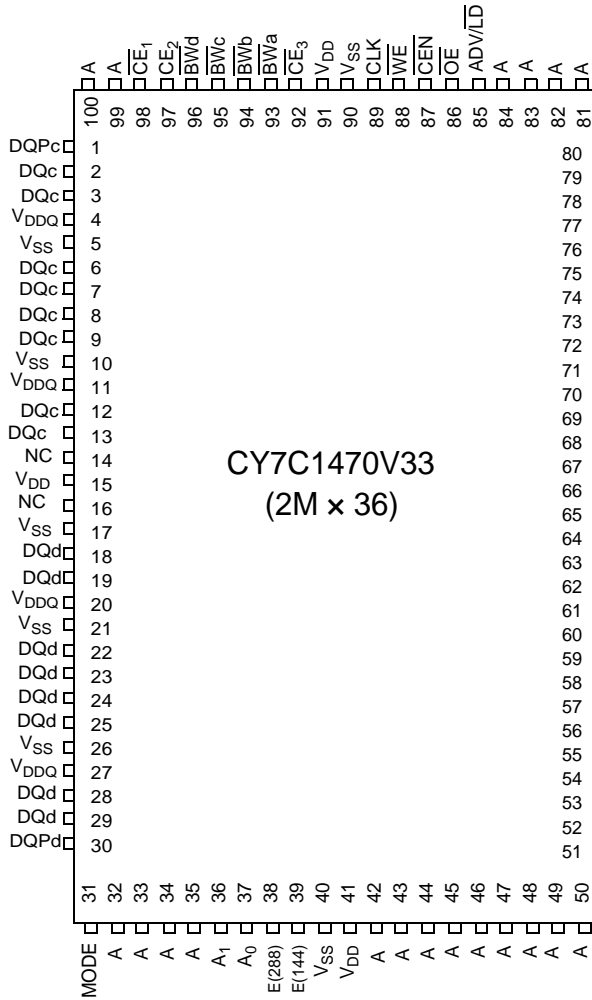


PRELIMINARY

**CY7C1470V33
CY7C1472V33
CY7C1474V33**

Pin Configurations

100-pin TQFP Packages





Pin Configurations (continued)

165-Ball fBGA Pinout

CY7C1470V33 (2M × 36)

| | 1 | 2 | 3 | 4 | 5 | 6 | 7 | 8 | 9 | 10 | 11 |
|----------|------------------|-----------------|-------------------|-------------------|-------------------|-------------------|------------------|-----------------|------------------|-----------------|------------------|
| A | E(288) | A | \overline{CE}_1 | \overline{BW}_c | \overline{BW}_b | \overline{CE}_3 | \overline{CEN} | ADV/LD | A | A | NC |
| B | NC | A | CE2 | \overline{BW}_d | \overline{BW}_a | CLK | \overline{WE} | \overline{OE} | A | A | E(144) |
| C | DQP _c | NC | V _{DDQ} | V _{SS} | V _{SS} | V _{SS} | V _{SS} | V _{SS} | V _{DDQ} | NC | DQP _b |
| D | DQ _c | DQ _c | V _{DDQ} | V _{DD} | V _{SS} | V _{SS} | V _{SS} | V _{DD} | V _{DDQ} | DQ _b | DQ _b |
| E | DQ _c | DQ _c | V _{DDQ} | V _{DD} | V _{SS} | V _{SS} | V _{SS} | V _{DD} | V _{DDQ} | DQ _b | DQ _b |
| F | DQ _c | DQ _c | V _{DDQ} | V _{DD} | V _{SS} | V _{SS} | V _{SS} | V _{DD} | V _{DDQ} | DQ _b | DQ _b |
| G | DQ _c | DQ _c | V _{DDQ} | V _{DD} | V _{SS} | V _{SS} | V _{SS} | V _{DD} | V _{DDQ} | DQ _b | DQ _b |
| H | NC | NC | NC | V _{DD} | V _{SS} | V _{SS} | V _{SS} | V _{DD} | NC | NC | ZZ |
| J | DQ _d | DQ _d | V _{DDQ} | V _{DD} | V _{SS} | V _{SS} | V _{SS} | V _{DD} | V _{DDQ} | DQ _a | DQ _a |
| K | DQ _d | DQ _d | V _{DDQ} | V _{DD} | V _{SS} | V _{SS} | V _{SS} | V _{DD} | V _{DDQ} | DQ _a | DQ _a |
| L | DQ _d | DQ _d | V _{DDQ} | V _{DD} | V _{SS} | V _{SS} | V _{SS} | V _{DD} | V _{DDQ} | DQ _a | DQ _a |
| M | DQ _d | DQ _d | V _{DDQ} | V _{DD} | V _{SS} | V _{SS} | V _{SS} | V _{DD} | V _{DDQ} | DQ _a | DQ _a |
| N | DQP _d | NC | V _{DDQ} | V _{SS} | NC | NC | NC | V _{SS} | V _{DDQ} | NC | DQP _a |
| P | NC | A | A | A | TDI | A1 | TDO | A | A | A | NC |
| R | MODE | A | A | A | TMS | A0 | TCK | A | A | A | A |

CY7C1472V33 (4M × 18)

| | 1 | 2 | 3 | 4 | 5 | 6 | 7 | 8 | 9 | 10 | 11 |
|----------|------------------|-----------------|-------------------|-------------------|-------------------|-------------------|------------------|-----------------|------------------|-----------------|------------------|
| A | E(288) | A | \overline{CE}_1 | \overline{BW}_b | NC | \overline{CE}_3 | \overline{CEN} | ADV/LD | A | A | A |
| B | NC | A | CE2 | NC | \overline{BW}_a | CLK | \overline{WE} | \overline{OE} | A | A | E(144) |
| C | NC | NC | V _{DDQ} | V _{SS} | V _{SS} | V _{SS} | V _{SS} | V _{SS} | V _{DDQ} | NC | DQP _a |
| D | NC | DQ _b | V _{DDQ} | V _{DD} | V _{SS} | V _{SS} | V _{SS} | V _{DD} | V _{DDQ} | NC | DQ _a |
| E | NC | DQ _b | V _{DDQ} | V _{DD} | V _{SS} | V _{SS} | V _{SS} | V _{DD} | V _{DDQ} | NC | DQ _a |
| F | NC | DQ _b | V _{DDQ} | V _{DD} | V _{SS} | V _{SS} | V _{SS} | V _{DD} | V _{DDQ} | NC | DQ _a |
| G | NC | DQ _b | V _{DDQ} | V _{DD} | V _{SS} | V _{SS} | V _{SS} | V _{DD} | V _{DDQ} | NC | DQ _a |
| H | NC | NC | NC | V _{DD} | V _{SS} | V _{SS} | V _{SS} | V _{DD} | NC | NC | ZZ |
| J | DQ _b | NC | V _{DDQ} | V _{DD} | V _{SS} | V _{SS} | V _{SS} | V _{DD} | V _{DDQ} | DQ _a | NC |
| K | DQ _b | NC | V _{DDQ} | V _{DD} | V _{SS} | V _{SS} | V _{SS} | V _{DD} | V _{DDQ} | DQ _a | NC |
| L | DQ _b | NC | V _{DDQ} | V _{DD} | V _{SS} | V _{SS} | V _{SS} | V _{DD} | V _{DDQ} | DQ _a | NC |
| M | DQ _b | NC | V _{DDQ} | V _{DD} | V _{SS} | V _{SS} | V _{SS} | V _{DD} | V _{DDQ} | DQ _a | NC |
| N | DQP _b | NC | V _{DDQ} | V _{SS} | NC | NC | NC | V _{SS} | V _{DDQ} | NC | NC |
| P | NC | A | A | A | TDI | A1 | TDO | A | A | A | NC |
| R | MODE | A | A | A | TMS | A0 | TCK | A | A | A | A |



Pin Configurations (continued)

**209-ball PBGA
CY7C1474V33 (1M X 72)**

| | 1 | 2 | 3 | 4 | 5 | 6 | 7 | 8 | 9 | 10 | 11 |
|----------|------|------|--------------------|--------------------|-----------------|-------------------|-----------------|--------------------|--------------------|------|------|
| A | DQg | DQg | A | CE ₂ | A | ADV/LD | A | \overline{CE}_3 | A | DQb | DQb |
| B | DQg | DQg | \overline{BWS}_c | \overline{BWS}_g | NC | \overline{WE} | A | \overline{BWS}_b | \overline{BWS}_f | DQb | DQb |
| C | DQg | DQg | \overline{BWS}_h | \overline{BWS}_d | NC | \overline{CE}_1 | NC | \overline{BWS}_e | \overline{BWS}_a | DQb | DQb |
| D | DQg | DQg | V _{SS} | NC | NC | \overline{OE} | NC | NC | V _{SS} | DQb | DQb |
| E | DQPg | DQPc | V _{DDQ} | V _{DDQ} | V _{DD} | V _{DD} | V _{DD} | V _{DDQ} | V _{DDQ} | DQPf | DQPb |
| F | DQc | DQc | V _{SS} | V _{SS} | V _{SS} | NC | V _{SS} | V _{SS} | V _{SS} | DQf | DQf |
| G | DQc | DQc | V _{DDQ} | V _{DDQ} | V _{DD} | NC | V _{DD} | V _{DDQ} | V _{DDQ} | DQf | DQf |
| H | DQc | DQc | V _{SS} | V _{SS} | V _{SS} | NC | V _{SS} | V _{SS} | V _{SSQ} | DQf | DQf |
| J | DQc | DQc | V _{DDQ} | V _{DDQ} | V _{DD} | NC | V _{DD} | V _{DDQ} | V _{DDQ} | DQf | DQf |
| K | NC | NC | CLK | NC | V _{SS} | \overline{CEN} | V _{SS} | NC | NC | NC | NC |
| L | DQh | DQh | V _{DDQ} | V _{DDQ} | V _{DD} | NC | V _{DD} | V _{DDQ} | V _{DDQ} | DQa | DQa |
| M | DQh | DQh | V _{SS} | V _{SS} | V _{SS} | NC | V _{SS} | V _{SS} | V _{SS} | DQa | DQa |
| N | DQh | DQh | V _{DDQ} | V _{DDQ} | V _{DD} | NC | V _{DD} | V _{DDQ} | V _{DDQ} | DQa | DQa |
| P | DQh | DQh | V _{SS} | V _{SS} | V _{SS} | ZZ | V _{SS} | V _{SS} | V _{SS} | DQa | DQa |
| R | DQPd | DQPh | V _{DDQ} | V _{DDQ} | V _{DD} | V _{DD} | V _{DD} | V _{DDQ} | V _{DDQ} | DQPd | DQPe |
| T | DQd | DQd | V _{SS} | NC | NC | MODE | NC | NC | V _{SS} | DQe | DQe |
| U | DQd | DQd | NC | A | A | A | A | A | NC | DQe | DQe |
| V | DQd | DQd | A | A | A | A1 | A | A | A | DQe | DQe |
| W | DQd | DQd | TMS | TDI | A | A0 | A | TDO | TCK | DQe | DQe |

Pin Definitions

| Pin Name | I/O Type | Pin Description |
|--|--------------------------------------|--|
| A0 A1 A | Input- Synchronous | Address Inputs used to select one of the address locations. Sampled at the rising edge of the CLK. |
| \overline{BW}_a \overline{BW}_b \overline{BW}_c \overline{BW}_d \overline{BW}_e \overline{BW}_f \overline{BW}_g \overline{BW}_h | Input- Synchronous | Byte Write Select Inputs, active LOW. Qualified with \overline{WE} to conduct writes to the SRAM. Sampled on the rising edge of CLK. \overline{BW}_a controls DQ_a and DQP_a , \overline{BW}_b controls DQ_b and DQP_b , \overline{BW}_c controls DQ_c and DQP_c , \overline{BW}_d controls DQ_d and DQP_d , \overline{BW}_e controls DQ_e and DQP_e , \overline{BW}_f controls DQ_f and DQP_f , \overline{BW}_g controls DQ_g and DQP_g , \overline{BW}_h controls DQ_h and DQP_h . |
| \overline{WE} | Input- Synchronous | Write Enable Input, active LOW. Sampled on the rising edge of CLK if \overline{CEN} is active LOW. This signal must be asserted LOW to initiate a write sequence. |
| ADV/ \overline{LD} | Input- Synchronous | Advance/Load Input used to advance the on-chip address counter or load a new address. When HIGH (and \overline{CEN} is asserted LOW) the internal burst counter is advanced. When \overline{LD} , a new address can be loaded into the device for an access. After being deselected, ADV/ \overline{LD} should be driven LOW in order to load a new address. |
| CLK | Input- Clock | Clock Input. Used to capture all synchronous inputs to the device. CLK is qualified with \overline{CEN} . CLK is only recognized if \overline{CEN} is active LOW. |
| \overline{CE}_1 | Input- Synchronous | Chip Enable 1 Input, active LOW. Sampled on the rising edge of CLK. Used in conjunction with \overline{CE}_2 and \overline{CE}_3 to select/deselect the device. |
| \overline{CE}_2 | Input- Synchronous | Chip Enable 2 Input, active HIGH. Sampled on the rising edge of CLK. Used in conjunction with \overline{CE}_1 and \overline{CE}_3 to select/deselect the device. |
| \overline{CE}_3 | Input- Synchronous | Chip Enable 3 Input, active LOW. Sampled on the rising edge of CLK. Used in conjunction with \overline{CE}_1 and \overline{CE}_2 to select/deselect the device. |
| \overline{OE} | Input- Asynchronous | Output Enable, active LOW. Combined with the synchronous logic block inside the device to control the direction of the I/O pins. When LOW, the I/O pins are allowed to behave as outputs. When deasserted HIGH, I/O pins are tri-stated, and act as input data pins. \overline{OE} is masked during the data portion of a write sequence, during the first clock when emerging from a deselected state and when the device has been deselected. |
| \overline{CEN} | Input- Synchronous | Clock Enable Input, active LOW. When asserted LOW the clock signal is recognized by the SRAM. When deasserted HIGH the clock signal is masked. Since deasserting \overline{CEN} does not deselect the device, \overline{CEN} can be used to extend the previous cycle when required. |
| DQ_s | I/O- Synchronous | Bidirectional Data I/O lines. As inputs, they feed into an on-chip data register that is triggered by the rising edge of CLK. As outputs, they deliver the data contained in the memory location specified by $A_{[17:0]}$ during the previous clock rise of the read cycle. The direction of the pins is controlled by \overline{OE} and the internal control logic. When \overline{OE} is asserted LOW, the pins can behave as outputs. When HIGH, DQ_a – DQ_d are placed in a tri-state condition. The outputs are automatically tri-stated during the data portion of a write sequence, during the first clock when emerging from a deselected state, and when the device is deselected, regardless of the state of \overline{OE} . |
| DQP_x | I/O- Synchronous | Bidirectional Data Parity I/O lines. Functionally, these signals are identical to DQ_x . During write sequences, DQP_a is controlled by \overline{BW}_a , DQP_b is controlled by \overline{BW}_b , DQP_c is controlled by \overline{BW}_c , and DQP_d is controlled by \overline{BW}_d , DQP_e is controlled by \overline{BW}_e , DQP_f is controlled by \overline{BW}_f , DQP_g is controlled by \overline{BW}_g , DQP_h is controlled by \overline{BW}_h . |
| MODE | Input Strap Pin | Mode Input. Selects the burst order of the device. Tied HIGH selects the interleaved burst order. Pulled LOW selects the linear burst order. MODE should not change states during operation. When left floating MODE will default HIGH, to an interleaved burst order. |
| TDO | JTAG Serial Output Synchronous | Serial data-out to the JTAG circuit. Delivers data on the negative edge of TCK. |
| TDI | JTAG Serial Input Synchronous | Serial data-In to the JTAG circuit. Sampled on the rising edge of TCK. |



Pin Definitions (continued)

| Pin Name | I/O Type | Pin Description |
|------------------|------------------------------|--|
| TMS | Test Mode Select Synchronous | This pin controls the Test Access Port state machine. Sampled on the rising edge of TCK. |
| TCK | JTAG Clock | Clock input to the JTAG circuitry. |
| V _{DD} | Power Supply | Power supply inputs to the core of the device. |
| V _{DDQ} | I/O Power Supply | Power supply for the I/O circuitry. |
| V _{SS} | Ground | Ground for the device. Should be connected to ground of the system. |
| NC | – | No connects. This pin is not connected to the die. |
| E(144, 288) | – | These pins are not connected. They will be used for expansion to the 144M and 288M densities. |
| ZZ | Input-Asynchronous | ZZ “sleep” Input. This active HIGH input places the device in a non-time critical “sleep” condition with data integrity preserved. During normal operation, this pin can be connected to V _{ss} or left floating. |

Functional Overview

The CY7C1470V33, CY7C1472V33, and CY7C1474V33 are synchronous-pipelined Burst NoBL SRAMs designed specifically to eliminate wait states during Write/Read transitions. All synchronous inputs pass through input registers controlled by the rising edge of the clock. The clock signal is qualified with the Clock Enable input signal (CEN). If CEN is HIGH, the clock signal is not recognized and all internal states are maintained. All synchronous operations are qualified with CEN. All data outputs pass through output registers controlled by the rising edge of the clock. Maximum access delay from the clock rise (t_{CO}) is 3.0 ns (225-MHz device).

Accesses can be initiated by asserting all three Chip Enables (CE₁, CE₂, CE₃) active at the rising edge of the clock. If Clock Enable (CEN) is active LOW and ADV/LD is asserted LOW, the address presented to the device will be latched. The access can either be a Read or Write operation, depending on the status of the Write Enable (WE). BW_[x] can be used to conduct Byte Write operations.

Write operations are qualified by the Write Enable (WE). All Writes are simplified with on-chip synchronous self-timed write circuitry.

Three synchronous Chip Enables (CE₁, CE₂, CE₃) and an asynchronous Output Enable (OE) simplify depth expansion. All operations (Reads, Writes, and Deselects) are pipelined. ADV/LD should be driven LOW once the device has been deselected in order to load a new address for the next operation.

Single Read Accesses

A read access is initiated when the following conditions are satisfied at clock rise: (1) CEN is asserted LOW, (2) CE₁, CE₂, and CE₃ are ALL asserted active, (3) the Write Enable input signal WE is deasserted HIGH, and (4) ADV/LD is asserted LOW. The address presented to the address inputs is latched into the Address Register and presented to the memory core and control logic. The control logic determines that a read access is in progress and allows the requested data to propagate to the input of the output register. At the rising edge of the next clock the requested data is allowed to propagate through the output register and onto the data bus within 3.0 ns (225-MHz device) provided OE is active LOW. After the first clock of the Read access the output buffers are controlled by

OE and the internal control logic. OE must be driven LOW in order for the device to drive out the requested data. During the second clock, a subsequent operation (Read/Write/Deselect) can be initiated. Deselecting the device is also pipelined. Therefore, when the SRAM is deselected at clock rise by one of the chip enable signals, its output will tri-state following the next clock rise.

Burst Read Accesses

The CY7C1470V33/CY7C1472V33/CY7C1474V33 have an on-chip burst counter that allows the user the ability to supply a single address and conduct up to four Reads without reasserting the address inputs. ADV/LD must be driven LOW in order to load a new address into the SRAM, as described in the Single Read Access section above. The sequence of the burst counter is determined by the MODE input signal. A LOW input on MODE selects a linear burst mode, a HIGH selects an interleaved burst sequence. Both burst counters use A0 and A1 in the burst sequence, and will wrap-around when incremented sufficiently. A HIGH input on ADV/LD will increment the internal burst counter regardless of the state of chip enables inputs or WE. WE is latched at the beginning of a burst cycle. Therefore, the type of access (Read or Write) is maintained throughout the burst sequence.

Single Write Accesses

Write accesses are initiated when the following conditions are satisfied at clock rise: (1) CEN is asserted LOW, (2) CE₁, CE₂, and CE₃ are ALL asserted active, and (3) the Write signal WE is asserted LOW. The address presented to the address inputs is loaded into the Address Register. The write signals are latched into the Control Logic block.

On the subsequent clock rise the data lines are automatically tri-stated regardless of the state of the OE input signal. This allows the external logic to present the data on DQ and DQP (DQ_{a,b,c,d,e,f,g,h}/DQP_{a,b,c,d,e,f,g,h} for CY7C1474V33, DQ_{a,b,c,d}/DQP_{a,b,c,d} for CY7C1470V33 and DQ_{a,b}/DQP_{a,b} for CY7C1472V33). In addition, the address for the subsequent access (Read/Write/Deselect) is latched into the Address Register (provided the appropriate control signals are asserted).

On the next clock rise the data presented to DQ and DQP (DQ_{a,b,c,d,e,f,g,h}/DQP_{a,b,c,d,e,f,g,h} for CY7C1474V33, DQ_{a,b,c,d}/DQP_{a,b,c,d} for CY7C1470V33 & DQ_{a,b}/DQP_{a,b} for CY7C1472V33) (or a subset for byte write operations, see



Write Cycle Description table for details) inputs is latched into the device and the write is complete.

The data written during the Write operation is controlled by \overline{BW} ($BW_{a,b,c,d,e,f,g,h}$ for CY7C1474V33, $BW_{a,b,c,d}$ for CY7C1470V33 and $BW_{a,b}$ for CY7C1472V33) signals. The CY7C1470V33/CY7C1472V33/CY7C1474V33 provides Byte Write capability that is described in the Write Cycle Description table. Asserting the Write Enable input (\overline{WE}) with the selected Byte Write Select (\overline{BW}) input will selectively write to only the desired bytes. Bytes not selected during a Byte Write operation will remain unaltered. A synchronous self-timed Write mechanism has been provided to simplify the Write operations. Byte Write capability has been included in order to greatly simplify Read/Modify/Write sequences, which can be reduced to simple Byte Write operations.

Because the CY7C1470V33/CY7C1472V33/CY7C1474V33 are common I/O devices, data should not be driven into the device while the outputs are active. The Output Enable (\overline{OE}) can be deasserted HIGH before presenting data to the DQ and DQP ($DQ_{a,b,c,d,e,f,g,h}/DQP_{a,b,c,d,e,f,g,h}$ for CY7C1474V33, $DQ_{a,b,c,d}/DQP_{a,b,c,d}$ for CY7C1470V33 and $DQ_{a,b}/DQP_{a,b}$ for CY7C1472V33) inputs. Doing so will tri-state the output drivers. As a safety precaution, DQ and DQP ($DQ_{a,b,c,d,e,f,g,h}/DQP_{a,b,c,d,e,f,g,h}$ for CY7C1474V33, $DQ_{a,b,c,d}/DQP_{a,b,c,d}$ for CY7C1470V33 and $DQ_{a,b}/DQP_{a,b}$ for CY7C1472V33) are automatically tri-stated during the data portion of a Write cycle, regardless of the state of \overline{OE} .

Burst Write Accesses

The CY7C1470V33/CY7C1472V33/CY7C1474V33 has an on-chip burst counter that allows the user the ability to supply a single address and conduct up to four Write operations without reasserting the address inputs. $\overline{ADV/LD}$ must be driven LOW in order to load the initial address, as described in the Single Write Access section above. When $\overline{ADV/LD}$ is driven HIGH on the subsequent clock rise, the Chip Enables ($\overline{CE}_1, \overline{CE}_2, \text{ and } \overline{CE}_3$) and \overline{WE} inputs are ignored and the burst counter is incremented. The correct \overline{BW} ($BW_{a,b,c,d,e,f,g,h}$ for CY7C1474V33, $BW_{a,b,c,d}$ for CY7C1470V33 and $BW_{a,b}$ for

CY7C1472V33) inputs must be driven in each cycle of the burst write in order to write the correct bytes of data.

Sleep Mode

The ZZ input pin is an asynchronous input. Asserting ZZ places the SRAM in a power conservation “sleep” mode. Two clock cycles are required to enter into or exit from this “sleep” mode. While in this mode, data integrity is guaranteed. Accesses pending when entering the “sleep” mode are not considered valid nor is the completion of the operation guaranteed. The device must be deselected prior to entering the “sleep” mode. $\overline{CE}_1, \overline{CE}_2, \text{ and } \overline{CE}_3$ must remain inactive for the duration of t_{ZZREC} after the ZZ input returns LOW.

Interleaved Burst Address Table (MODE = Floating or V_{DD})

| First Address | Second Address | Third Address | Fourth Address |
|---------------|----------------|---------------|----------------|
| A1,A0 | A1,A0 | A1,A0 | A1,A0 |
| 00 | 01 | 10 | 11 |
| 01 | 00 | 11 | 10 |
| 10 | 11 | 00 | 01 |
| 11 | 10 | 01 | 00 |

Linear Burst Address Table (MODE = GND)

| First Address | Second Address | Third Address | Fourth Address |
|---------------|----------------|---------------|----------------|
| A1,A0 | A1,A0 | A1,A0 | A1,A0 |
| 00 | 01 | 10 | 11 |
| 01 | 10 | 11 | 00 |
| 10 | 11 | 00 | 01 |
| 11 | 00 | 01 | 10 |

ZZ Mode Electrical Characteristics

| Parameter | Description | Test Conditions | Min. | Max | Unit |
|-------------|-----------------------------------|---------------------------|------------|------------|------|
| I_{DDZZ} | Sleep mode standby current | $ZZ \geq V_{DD} - 0.2V$ | | 120 | mA |
| t_{ZZS} | Device operation to ZZ | $ZZ \geq V_{DD} - 0.2V$ | | $2t_{CYC}$ | ns |
| t_{ZZREC} | ZZ recovery time | $ZZ \leq 0.2V$ | $2t_{CYC}$ | | ns |
| t_{ZZI} | ZZ active to sleep current | This parameter is sampled | | $2t_{CYC}$ | ns |
| t_{RZZI} | ZZ Inactive to exit sleep current | This parameter is sampled | 0 | | ns |



Truth Table^[1, 2, 3, 4, 5, 6, 7]

| Operation | Address Used | \overline{CE} | ZZ | ADV/LD | \overline{WE} | \overline{BW}_x | \overline{OE} | \overline{CEN} | CLK | DQ |
|-------------------------------|--------------|-----------------|----|--------|-----------------|-------------------|-----------------|------------------|-----|--------------|
| Deselect Cycle | None | H | L | L | X | X | X | L | L-H | Tri-State |
| Continue Deselect Cycle | None | X | L | H | X | X | X | L | L-H | Tri-State |
| Read Cycle (Begin Burst) | External | L | L | L | H | X | L | L | L-H | Data Out (Q) |
| Read Cycle (Continue Burst) | Next | X | L | H | X | X | L | L | L-H | Data Out (Q) |
| NOP/Dummy Read (Begin Burst) | External | L | L | L | H | X | H | L | L-H | Tri-State |
| Dummy Read (Continue Burst) | Next | X | L | H | X | X | H | L | L-H | Tri-State |
| Write Cycle (Begin Burst) | External | L | L | L | L | L | X | L | L-H | Data In (D) |
| Write Cycle (Continue Burst) | Next | X | L | H | X | L | X | L | L-H | Data In (D) |
| NOP/Write Abort (Begin Burst) | None | L | L | L | L | H | X | L | L-H | Tri-State |
| Write Abort (Continue Burst) | Next | X | L | H | X | H | X | L | L-H | Tri-State |
| Ignore Clock Edge (Stall) | Current | X | L | X | X | X | X | H | L-H | - |
| Sleep Mode | None | X | H | X | X | X | X | X | X | Tri-State |

Notes:

1. X = "Don't Care", H = Logic HIGH, L = Logic LOW, \overline{CE} stands for ALL Chip Enables active. $\overline{BW}_x = 0$ signifies at least one Byte Write Select is active, $\overline{BW}_x = \text{Valid}$ signifies that the desired byte write selects are asserted, see Write Cycle Description table for details.
2. Write is defined by \overline{WE} and $\overline{BW}_{[a:d]}$. See Write Cycle Description table for details.
3. When a Write cycle is detected, all I/Os are tri-stated, even during Byte Writes.
4. The DQ and DQP pins are controlled by the current cycle and the \overline{OE} signal.
5. $\overline{CEN} = H$ inserts wait states.
6. Device will power-up deselected and the I/Os in a tri-state condition, regardless of \overline{OE} .
7. \overline{OE} is asynchronous and is not sampled with the clock rise. It is masked internally during Write cycles. During a Read cycle DQ_s and $DQP_{[a:d]} = \text{Tri-state}$ when \overline{OE} is inactive or when the device is deselected, and $DQ_s = \text{data}$ when \overline{OE} is active.



Partial Write Cycle Description^[1, 2, 3, 8]

| Function (CY7C1470V33) | \overline{WE} | \overline{BW}_d | \overline{BW}_c | \overline{BW}_b | \overline{BW}_a |
|--|-----------------|-------------------|-------------------|-------------------|-------------------|
| Read | H | X | X | X | X |
| Write – No bytes written | L | H | H | H | H |
| Write Byte a – (DQ _a and DQP _a) | L | H | H | H | L |
| Write Byte b – (DQ _b and DQP _b) | L | H | H | L | H |
| Write Bytes b, a | L | H | H | L | L |
| Write Byte c – (DQ _c and DQP _c) | L | H | L | H | H |
| Write Bytes c, a | L | H | L | H | L |
| Write Bytes c, b | L | H | LL | L | H |
| Write Bytes c, b, a | L | H | L | L | L |
| Write Byte d – (DQ _d and DQP _d) | L | L | H | H | H |
| Write Bytes d, a | L | L | H | H | L |
| Write Bytes d, b | L | L | H | L | H |
| Write Bytes d, b, a | L | L | H | L | L |
| Write Bytes d, c | L | L | L | H | H |
| Write Bytes d, c, a | L | L | L | H | L |
| Write Bytes d, c, b | L | L | L | L | H |
| Write All Bytes | L | L | L | L | L |

| Function (CY7C1472V33) | \overline{WE} | \overline{BW}_b | \overline{BW}_a |
|--|-----------------|-------------------|-------------------|
| Read | H | x | x |
| Write – No Bytes Written | L | H | H |
| Write Byte a – (DQ _a and DQP _a) | L | H | L |
| Write Byte b – (DQ _b and DQP _b) | L | L | H |
| Write Both Bytes | L | L | L |

| Function (CY7C1474V33) | \overline{WE} | \overline{BW}_x |
|--|-----------------|-------------------------|
| Read | H | x |
| Write – No Bytes Written | L | H |
| Write Byte X – (DQ _x and DQP _x) | L | L |
| Write All Bytes | L | All $\overline{BW} = L$ |

Note:

8. Table only lists a partial listing of the Byte Write combinations. Any combination of $\overline{BW}_{[a,d]}$ is valid. Appropriate Write will be done based on which Byte Write is active.

IEEE 1149.1 Serial Boundary Scan (JTAG)

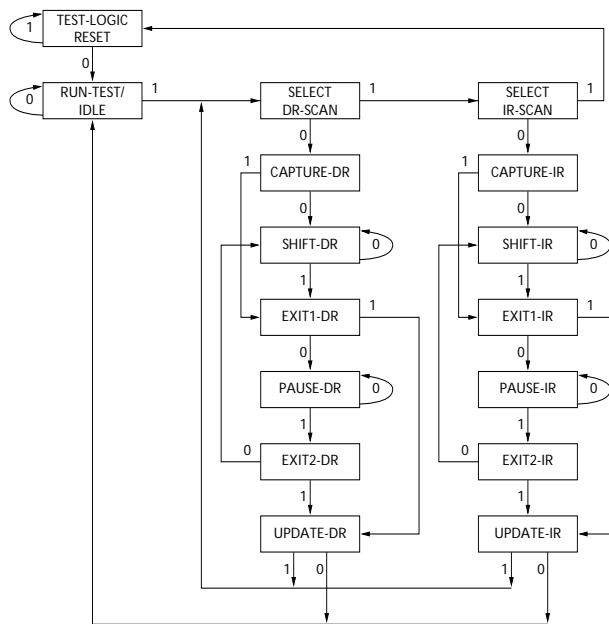
The CY7C1470V33/CY7C1472V33/CY7C1474V33 incorporates a serial boundary scan test access port (TAP). This port operates in accordance with IEEE Standard 1149.1-1990 but does not have the set of functions required for full 1149.1 compliance. These functions from the IEEE specification are excluded because their inclusion places an added delay in the critical speed path of the SRAM. Note that the TAP controller functions in a manner that does not conflict with the operation of other devices using 1149.1 fully compliant TAPs. The TAP operates using JEDEC-standard 3.3V or 2.5V I/O logic levels.

The CY7C1470V33/CY7C1472V33/CY7C1474V33 contains a TAP controller, instruction register, boundary scan register, bypass register, and ID register.

Disabling the JTAG Feature

It is possible to operate the SRAM without using the JTAG feature. To disable the TAP controller, TCK must be tied LOW (V_{SS}) to prevent clocking of the device. TDI and TMS are internally pulled up and may be unconnected. They may alternately be connected to V_{DD} through a pull-up resistor. TDO should be left unconnected. Upon power-up, the device will come up in a reset state which will not interfere with the operation of the device.

TAP Controller State Diagram



The 0/1 next to each state represents the value of TMS at the rising edge of TCK.

Test Access Port (TAP)

Test Clock (TCK)

The test clock is used only with the TAP controller. All inputs are captured on the rising edge of TCK. All outputs are driven from the falling edge of TCK.

Test MODE SELECT (TMS)

The TMS input is used to give commands to the TAP controller and is sampled on the rising edge of TCK. It is allowable to leave this ball unconnected if the TAP is not used. The ball is pulled up internally, resulting in a logic HIGH level.

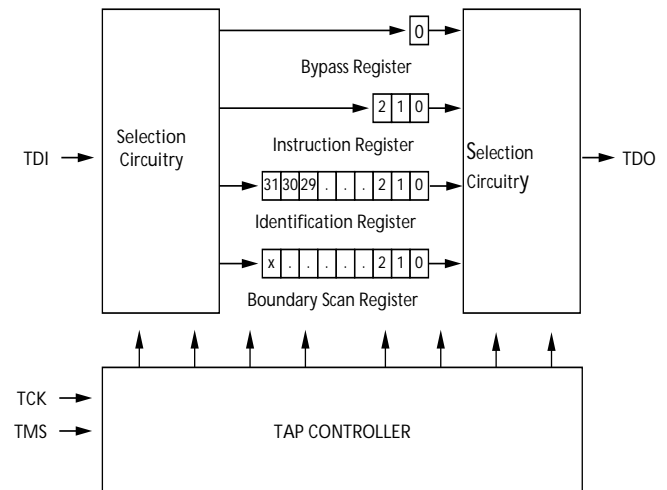
Test Data-In (TDI)

The TDI ball is used to serially input information into the registers and can be connected to the input of any of the registers. The register between TDI and TDO is chosen by the instruction that is loaded into the instruction register. For information on loading the instruction register, see the TAP Controller State Diagram. TDI is internally pulled up and can be unconnected if the TAP is unused in an application. TDI is connected to the most significant bit (MSB) of any register. (See Tap Controller Block Diagram.)

Test Data-Out (TDO)

The TDO output ball is used to serially clock data-out from the registers. The output is active depending upon the current state of the TAP state machine. The output changes on the falling edge of TCK. TDO is connected to the least significant bit (LSB) of any register. (See Tap Controller State Diagram.)

TAP Controller Block Diagram



Performing a TAP Reset

A RESET is performed by forcing TMS HIGH (V_{DD}) for five rising edges of TCK. This RESET does not affect the operation of the SRAM and may be performed while the SRAM is operating.

At power-up, the TAP is reset internally to ensure that TDO comes up in a High-Z state.

TAP Registers

Registers are connected between the TDI and TDO balls and allow data to be scanned into and out of the SRAM test circuitry. Only one register can be selected at a time through the instruction register. Data is serially loaded into the TDI ball on the rising edge of TCK. Data is output on the TDO ball on the falling edge of TCK.

Instruction Register

Three-bit instructions can be serially loaded into the instruction register. This register is loaded when it is placed between the TDI and TDO balls as shown in the Tap Controller Block Diagram. Upon power-up, the instruction register is loaded with the IDCODE instruction. It is also loaded with the IDCODE instruction if the controller is placed in a reset state as described in the previous section.

When the TAP controller is in the Capture-IR state, the two least significant bits are loaded with a binary "01" pattern to allow for fault isolation of the board-level serial test data path.

Bypass Register

To save time when serially shifting data through registers, it is sometimes advantageous to skip certain chips. The bypass register is a single-bit register that can be placed between the TDI and TDO balls. This allows data to be shifted through the SRAM with minimal delay. The bypass register is set LOW (V_{SS}) when the BYPASS instruction is executed.

Boundary Scan Register

The boundary scan register is connected to all the input and bidirectional balls on the SRAM.

The boundary scan register is loaded with the contents of the RAM I/O ring when the TAP controller is in the Capture-DR state and is then placed between the TDI and TDO balls when the controller is moved to the Shift-DR state. The EXTEST, SAMPLE/PRELOAD and SAMPLE Z instructions can be used to capture the contents of the I/O ring.

The Boundary Scan Order tables show the order in which the bits are connected. Each bit corresponds to one of the bumps on the SRAM package. The MSB of the register is connected to TDI and the LSB is connected to TDO.

Identification (ID) Register

The ID register is loaded with a vendor-specific, 32-bit code during the Capture-DR state when the IDCODE command is loaded in the instruction register. The IDCODE is hardwired into the SRAM and can be shifted out when the TAP controller is in the Shift-DR state. The ID register has a vendor code and other information described in the Identification Register Definitions table.

TAP Instruction Set

Overview

Eight different instructions are possible with the three-bit instruction register. All combinations are listed in the Instruction Codes table. Three of these instructions are listed as RESERVED and should not be used. The other five instructions are described in detail below.

The TAP controller used in this SRAM is not fully compliant to the 1149.1 convention because some of the mandatory 1149.1 instructions are not fully implemented.

The TAP controller cannot be used to load address data or control signals into the SRAM and cannot preload the I/O buffers. The SRAM does not implement the 1149.1 commands EXTEST or INTEST or the PRELOAD portion of SAMPLE/PRELOAD; rather, it performs a capture of the I/O ring when these instructions are executed.

Instructions are loaded into the TAP controller during the Shift-IR state when the instruction register is placed between TDI and TDO. During this state, instructions are shifted through the instruction register through the TDI and TDO balls. To execute the instruction once it is shifted in, the TAP controller needs to be moved into the Update-IR state.

EXTEST

EXTEST is a mandatory 1149.1 instruction which is to be executed whenever the instruction register is loaded with all 0s. EXTEST is not implemented in this SRAM TAP controller, and therefore this device is not compliant to 1149.1. The TAP controller does not recognize an all-0 instruction.

When an EXTEST instruction is loaded into the instruction register, the SRAM responds as if a SAMPLE/PRELOAD instruction has been loaded. There is one difference between the two instructions. Unlike the SAMPLE/PRELOAD instruction, EXTEST places the SRAM outputs in a High-Z state.

IDCODE

The IDCODE instruction causes a vendor-specific, 32-bit code to be loaded into the instruction register. It also places the instruction register between the TDI and TDO balls and allows the IDCODE to be shifted out of the device when the TAP controller enters the Shift-DR state.

The IDCODE instruction is loaded into the instruction register upon power-up or whenever the TAP controller is given a test logic reset state.

SAMPLE Z

The SAMPLE Z instruction causes the boundary scan register to be connected between the TDI and TDO balls when the TAP controller is in a Shift-DR state. It also places all SRAM outputs into a High-Z state.

SAMPLE/PRELOAD

SAMPLE/PRELOAD is a 1149.1 mandatory instruction. The PRELOAD portion of this instruction is not implemented, so the device TAP controller is not fully 1149.1 compliant.

When the SAMPLE/PRELOAD instruction is loaded into the instruction register and the TAP controller is in the Capture-DR state, a snapshot of data on the inputs and bidirectional balls is captured in the boundary scan register.

The user must be aware that the TAP controller clock can only operate at a frequency up to 20 MHz, while the SRAM clock operates more than an order of magnitude faster. Because there is a large difference in the clock frequencies, it is possible that during the Capture-DR state, an input or output will undergo a transition. The TAP may then try to capture a signal while in transition (metastable state). This will not harm the device, but there is no guarantee as to the value that will be captured. Repeatable results may not be possible.

To guarantee that the boundary scan register will capture the correct value of a signal, the SRAM signal must be stabilized long enough to meet the TAP controller's capture set-up plus hold time (t_{CS} plus t_{CH}).

The SRAM clock input might not be captured correctly if there is no way in a design to stop (or slow) the clock during a SAMPLE/PRELOAD instruction. If this is an issue, it is still



possible to capture all other signals and simply ignore the value of the CLK captured in the boundary scan register.

Once the data is captured, it is possible to shift out the data by putting the TAP into the Shift-DR state. This places the boundary scan register between the TDI and TDO balls.

Note that since the PRELOAD part of the command is not implemented, putting the TAP to the Update-DR state while performing a SAMPLE/PRELOAD instruction will have the same effect as the Pause-DR command.

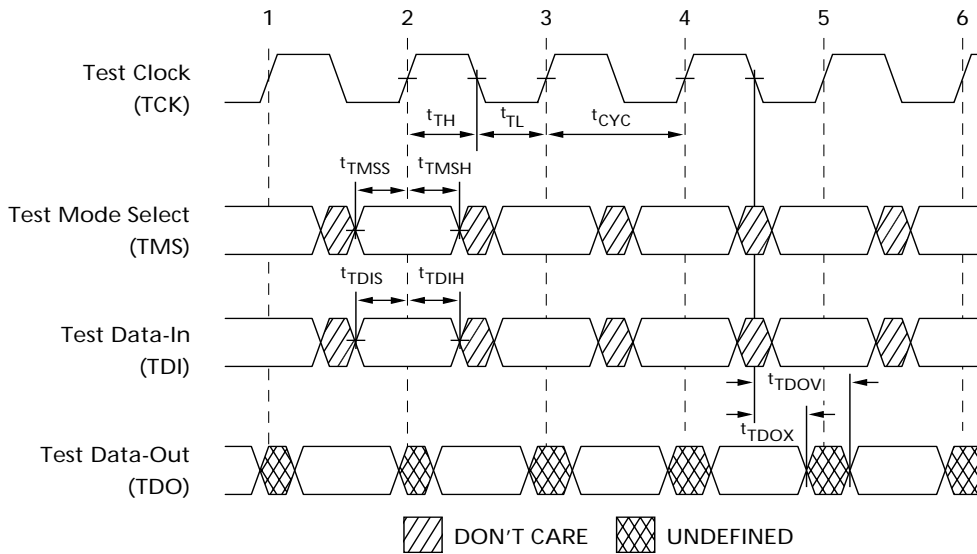
BYPASS

When the BYPASS instruction is loaded in the instruction register and the TAP is placed in a Shift-DR state, the bypass register is placed between the TDI and TDO balls. The advantage of the BYPASS instruction is that it shortens the boundary scan path when multiple devices are connected together on a board.

Reserved

These instructions are not implemented but are reserved for future use. Do not use these instructions.

TAP Timing



TAP AC Switching Characteristics Over the Operating Range^[9, 10]

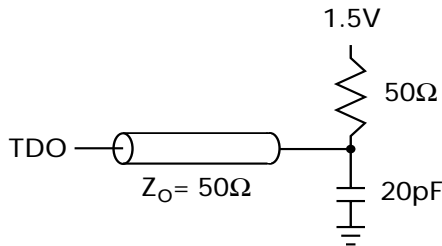
| Parameter | Description | Min. | Max | Unit |
|---------------------|-------------------------------|------|-----|------|
| Clock | | | | |
| t _{TCYC} | TCK Clock Cycle Time | 50 | | ns |
| t _{TF} | TCK Clock Frequency | | 20 | MHz |
| t _{TH} | TCK Clock HIGH time | 25 | | ns |
| t _{TL} | TCK Clock LOW time | 25 | | ns |
| Output Times | | | | |
| t _{TDOV} | TCK Clock LOW to TDO Valid | | 5 | ns |
| t _{TDOX} | TCK Clock LOW to TDO Invalid | 0 | | ns |
| Set-up Times | | | | |
| t _{TMSS} | TMS Set-up to TCK Clock Rise | 5 | | ns |
| t _{TDIS} | TDI Set-up to TCK Clock Rise | 5 | | ns |
| t _{CS} | Capture Set-up to TCK Rise | 5 | | ns |
| Hold Times | | | | |
| t _{TMSH} | TMS Hold after TCK Clock Rise | 5 | | ns |
| t _{TDIH} | TDI Hold after Clock Rise | 5 | | ns |
| t _{CH} | Capture Hold after Clock Rise | 5 | | ns |

Notes:

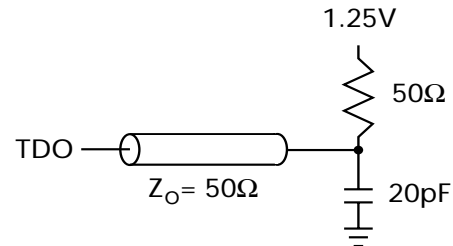
- 9. t_{CS} and t_{CH} refer to the set-up and hold time requirements of latching data from the boundary scan register.
- 10. Test conditions are specified using the load in TAP AC Test Conditions. t_R/t_F = 1 ns.

3.3V TAP AC Test Conditions

Input pulse levels V_{SS} to 3.3V
 Input rise and fall times 1 ns
 Input timing reference levels 1.5V
 Output reference levels 1.5V
 Test load termination supply voltage 1.5V

3.3V TAP AC Output Load Equivalent

2.5V TAP AC Test Conditions

Input pulse levels V_{SS} to 2.5V
 Input rise and fall time 1 ns
 Input timing reference levels 1.25V
 Output reference levels 1.25V
 Test load termination supply voltage 1.25V

2.5V TAP AC Output Load Equivalent

TAP DC Electrical Characteristics And Operating Conditions

($0^{\circ}\text{C} < T_A < +70^{\circ}\text{C}$; $V_{DD} = 3.135\text{V}$ to 3.6V unless otherwise noted)^[11]

| Parameter | Description | Test Conditions | Min. | Max. | Unit | |
|-----------|---------------------|--|-------------------------|------|----------------|---|
| V_{OH1} | Output HIGH Voltage | $I_{OH} = -4.0\text{ mA}, V_{DDQ} = 3.3\text{V}$ | 2.4 | | V | |
| | | $I_{OH} = -1.0\text{ mA}, V_{DDQ} = 2.5\text{V}$ | 2.0 | | V | |
| V_{OH2} | Output HIGH Voltage | $I_{OH} = -100\text{ }\mu\text{A}$ | $V_{DDQ} = 3.3\text{V}$ | 2.9 | | V |
| | | | $V_{DDQ} = 2.5\text{V}$ | 2.1 | | V |
| V_{OL1} | Output LOW Voltage | $I_{OL} = 8.0\text{ mA}$ | $V_{DDQ} = 3.3\text{V}$ | | 0.4 | V |
| | | $I_{OL} = 1.0\text{ mA}$ | $V_{DDQ} = 2.5\text{V}$ | | 0.4 | V |
| V_{OL2} | Output LOW Voltage | $I_{OL} = 100\text{ }\mu\text{A}$ | $V_{DDQ} = 3.3\text{V}$ | | 0.2 | V |
| | | | $V_{DDQ} = 2.5\text{V}$ | | 0.2 | V |
| V_{IH} | Input HIGH Voltage | | $V_{DDQ} = 3.3\text{V}$ | 2.0 | $V_{DD} + 0.3$ | V |
| | | | $V_{DDQ} = 2.5\text{V}$ | 1.7 | $V_{DD} + 0.3$ | V |
| V_{IL} | Input LOW Voltage | | $V_{DDQ} = 3.3\text{V}$ | -0.3 | 0.8 | V |
| | | | $V_{DDQ} = 2.5\text{V}$ | -0.3 | 0.7 | V |
| I_X | Input Load Current | $\text{GND} \leq V_{IN} \leq V_{DDQ}$ | -5 | 5 | μA | |

Note:

11. All voltages referenced to V_{SS} (GND).



Identification Register Definitions

| Instruction Field | CY7C1470V33 (2M x 36) | CY7C1472V33 (4M x 18) | CY7C1474V33 (1M x 72) | Description |
|--------------------------------------|--------------------------|--------------------------|--------------------------|---|
| Revision Number (31:29) | 000 | 000 | 000 | Describes the version number |
| Device Depth (28:24) ^[12] | 01011 | 01011 | 01011 | Reserved for internal use |
| Architecture/Memory Type(23:18) | 001000 | 001000 | 001000 | Defines memory type and architecture |
| Bus Width/Density(17:12) | 100100 | 010100 | 110100 | Defines width and density |
| Cypress JEDEC ID Code (11:1) | 00000110100 | 00000110100 | 00000110100 | Allows unique identification of SRAM vendor |
| ID Register Presence Indicator (0) | 1 | 1 | 1 | Indicates the presence of an ID register |

Scan Register Sizes

| Register Name | Bit Size (x36) | Bit Size (x18) | Bit Size (x72) |
|-----------------------------|----------------|----------------|----------------|
| Instruction | 3 | 3 | 3 |
| Bypass | 1 | 1 | 1 |
| ID | 32 | 32 | 32 |
| Boundary Scan Order-165FBGA | 71 | 52 | - |
| Boundary Scan Order- 209BGA | - | - | 110 |

Identification Codes

| Instruction | Code | Description |
|----------------|------|---|
| EXTEST | 000 | Captures I/O ring contents. Places the boundary scan register between TDI and TDO. Forces all SRAM outputs to High-Z state. This instruction is not 1149.1 compliant. |
| IDCODE | 001 | Loads the ID register with the vendor ID code and places the register between TDI and TDO. This operation does not affect SRAM operations. |
| SAMPLE Z | 010 | Captures I/O ring contents. Places the boundary scan register between TDI and TDO. Forces all SRAM output drivers to a High-Z state. |
| RESERVED | 011 | Do Not Use: This instruction is reserved for future use. |
| SAMPLE/PRELOAD | 100 | Captures I/O ring contents. Places the boundary scan register between TDI and TDO. Does not affect SRAM operation. This instruction does not implement 1149.1 preload function and is therefore not 1149.1 compliant. |
| RESERVED | 101 | Do Not Use: This instruction is reserved for future use. |

Note:

12. Bit #24 is "1" in the ID Register Definitions for both 2.5V and 3.3V versions of this device.



Boundary Scan Exit Order (x36)

| Bit # | 165-Ball ID |
|-------|-------------|
| 1 | C1 |
| 2 | D1 |
| 3 | E1 |
| 4 | D2 |
| 5 | E2 |
| 6 | F1 |
| 7 | G1 |
| 8 | F2 |
| 9 | G2 |
| 10 | J1 |
| 11 | K1 |
| 12 | L1 |
| 13 | J2 |
| 14 | M1 |
| 15 | N1 |
| 16 | K2 |
| 17 | L2 |
| 18 | M2 |
| 19 | R1 |
| 20 | R2 |
| 21 | R3 |
| 22 | P2 |
| 23 | R4 |
| 24 | P6 |
| 25 | R6 |
| 26 | N6 |
| 27 | P11 |
| 28 | R8 |
| 29 | P3 |
| 30 | P4 |
| 31 | P8 |
| 32 | P9 |
| 33 | P10 |
| 34 | R9 |
| 35 | R10 |
| 36 | R11 |
| 37 | N11 |
| 38 | M11 |
| 39 | L11 |
| 40 | M10 |
| 41 | L10 |
| 42 | K11 |
| 43 | J11 |
| 44 | K10 |

Boundary Scan Exit Order (x36) (continued)

| Bit # | 165-Ball ID |
|-------|-------------|
| 45 | J10 |
| 46 | H11 |
| 47 | G11 |
| 48 | F11 |
| 49 | E11 |
| 50 | D10 |
| 51 | D11 |
| 52 | C11 |
| 53 | G10 |
| 54 | F10 |
| 55 | E10 |
| 56 | A10 |
| 57 | B10 |
| 58 | A9 |
| 59 | B9 |
| 60 | A8 |
| 61 | B8 |
| 62 | A7 |
| 63 | B7 |
| 64 | B6 |
| 65 | A6 |
| 66 | B5 |
| 67 | A5 |
| 68 | A4 |
| 69 | B4 |
| 70 | B3 |
| 71 | A3 |
| 72 | A2 |
| 73 | B2 |

Boundary Scan Exit Order (x72)

| Bit # | 209-Ball ID |
|-------|-------------|
| 1 | A1 |
| 2 | A2 |
| 3 | B1 |
| 4 | B2 |
| 5 | C1 |
| 6 | C2 |
| 7 | D1 |
| 8 | D2 |
| 9 | E1 |
| 10 | E2 |
| 11 | F1 |
| 12 | F2 |



Boundary Scan Exit Order (x72) (continued)

| Bit # | 209-Ball ID |
|-------|-------------|
| 13 | G1 |
| 14 | G2 |
| 15 | H1 |
| 16 | H2 |
| 17 | J1 |
| 18 | J2 |
| 19 | L1 |
| 20 | L2 |
| 21 | M1 |
| 22 | M2 |
| 23 | N1 |
| 24 | N2 |
| 25 | P1 |
| 26 | P2 |
| 27 | R2 |
| 28 | R1 |
| 29 | T1 |
| 30 | T2 |
| 31 | U1 |
| 32 | U2 |
| 33 | V1 |
| 34 | V2 |
| 35 | W1 |
| 36 | W2 |
| 37 | T6 |
| 38 | V3 |
| 39 | V4 |
| 40 | U4 |
| 41 | W5 |
| 42 | V6 |
| 43 | W6 |
| 44 | U3 |
| 45 | U9 |
| 46 | V5 |
| 47 | U5 |
| 48 | U6 |
| 49 | W7 |
| 50 | V7 |
| 51 | U7 |
| 52 | V8 |
| 53 | V9 |
| 54 | W11 |
| 55 | W10 |
| 56 | V11 |

Boundary Scan Exit Order (x72) (continued)

| Bit # | 209-Ball ID |
|-------|-------------|
| 57 | V10 |
| 58 | U11 |
| 59 | U10 |
| 60 | T11 |
| 61 | T10 |
| 62 | R11 |
| 63 | R10 |
| 64 | P11 |
| 65 | P10 |
| 66 | N11 |
| 67 | N10 |
| 68 | M11 |
| 69 | M10 |
| 70 | L11 |
| 71 | L10 |
| 72 | P6 |
| 73 | J11 |
| 74 | J10 |
| 75 | H11 |
| 76 | H10 |
| 77 | G11 |
| 78 | G10 |
| 79 | F11 |
| 80 | F10 |
| 81 | E10 |
| 82 | E11 |
| 83 | D11 |
| 84 | D10 |
| 85 | C11 |
| 86 | C10 |
| 87 | B11 |
| 88 | B10 |
| 89 | A11 |
| 90 | A10 |
| 91 | A9 |
| 92 | U8 |
| 93 | A7 |
| 94 | A5 |
| 95 | A6 |
| 96 | D6 |
| 97 | B6 |
| 98 | D7 |
| 99 | K3 |
| 100 | A8 |



Boundary Scan Exit Order (x72) (continued)

| Bit # | 209-Ball ID |
|-------|-------------|
| 101 | B4 |
| 102 | B3 |
| 103 | C3 |
| 104 | C4 |
| 105 | C8 |
| 106 | C9 |
| 107 | B9 |
| 108 | B8 |
| 109 | A4 |
| 110 | C6 |
| 111 | B7 |
| 112 | A3 |

Boundary Scan Exit Order (x18)

| Bit # | 165-Ball ID |
|-------|-------------|
| 1 | D2 |
| 2 | E2 |
| 3 | F2 |
| 4 | G2 |
| 5 | J1 |
| 6 | K1 |
| 7 | L1 |
| 8 | M1 |
| 9 | N1 |
| 10 | R1 |
| 11 | R2 |
| 12 | R3 |
| 13 | P2 |
| 14 | R4 |
| 15 | P6 |
| 16 | R6 |
| 17 | N6 |
| 18 | P11 |
| 19 | R8 |
| 20 | P3 |
| 21 | P4 |
| 22 | P8 |
| 23 | P9 |
| 24 | P10 |
| 25 | R9 |
| 26 | R10 |
| 27 | R11 |
| 28 | M10 |
| 29 | L10 |

Boundary Scan Exit Order (x18) (continued)

| | |
|----|-----|
| 30 | K10 |
| 31 | J10 |
| 32 | H11 |
| 33 | G11 |
| 34 | F11 |
| 35 | E11 |
| 36 | D11 |
| 37 | C11 |
| 38 | A11 |
| 39 | A10 |
| 40 | B10 |
| 41 | A9 |
| 42 | B9 |
| 43 | A8 |
| 44 | B8 |
| 45 | A7 |
| 46 | B7 |
| 47 | B6 |
| 48 | A6 |
| 49 | B5 |
| 50 | A4 |
| 51 | B3 |
| 52 | A3 |
| 53 | A2 |
| 54 | B2 |



Maximum Ratings

(Above which the useful life may be impaired. For user guidelines, not tested.)

- Storage Temperature -65°C to +150°C
- Ambient Temperature with Power Applied..... -55°C to +125°C
- Supply Voltage on V_{DD} Relative to GND..... -0.5V to +4.6V
- DC to Outputs in Tri-State -0.5V to V_{DDQ} + 0.5V
- DC Input Voltage -0.5V to V_{DD} + 0.5V

- Current into Outputs (LOW)..... 20 mA
- Static Discharge Voltage..... > 2001V (per MIL-STD-883, Method 3015)
- Latch-up Current..... > 200 mA

Operating Range

| Range | Ambient Temperature | V _{DD} | V _{DDQ} |
|------------|---------------------|-----------------|------------------------------|
| Commercial | 0°C to +70°C | 3.3V – 5%/+10% | 2.5V – 5% to V _{DD} |
| Industrial | -40°C to +85°C | | |

Electrical Characteristics Over the Operating Range^[13, 14]

| Parameter | Description | Test Conditions | Min. | Max. | Unit |
|------------------|---|--|-------------------------|------------------------|------|
| V _{DD} | Power Supply Voltage | | 3.135 | 3.6 | V |
| V _{DDQ} | I/O Supply Voltage | V _{DDQ} = 3.3V | 3.135 | V _{DD} | V |
| | | V _{DDQ} = 2.5V | 2.375 | 2.625 | V |
| V _{OH} | Output HIGH Voltage | V _{DD} = Min., I _{OH} = -4.0 mA, V _{DDQ} = 3.3V | 2.4 | | V |
| | | V _{DD} = Min., I _{OH} = -1.0 mA, V _{DDQ} = 2.5V | 2.0 | | V |
| V _{OL} | Output LOW Voltage | V _{DD} = Min., I _{OL} = 8.0 mA, V _{DDQ} = 3.3V | | 0.4 | V |
| | | V _{DD} = Min., I _{OL} = 1.0 mA, V _{DDQ} = 2.5V | | 0.4 | V |
| V _{IH} | Input HIGH Voltage ^[13] | V _{DDQ} = 3.3V | 2.0 | V _{DD} + 0.3V | V |
| | | V _{DDQ} = 2.5V | 1.7 | V _{DD} + 0.3V | V |
| V _{IL} | Input LOW Voltage ^[13] | V _{DDQ} = 3.3V | -0.3 | 0.8 | V |
| | | V _{DDQ} = 2.5V | -0.3 | 0.7 | V |
| I _X | Input Load Current except ZZ and MODE | GND ≤ V _I ≤ V _{DDQ} | -5 | 5 | μA |
| | | Input = V _{SS} | -5 | | μA |
| | | Input = V _{DD} | | 30 | μA |
| | | Input Current of ZZ | Input = V _{SS} | -30 | |
| | | Input = V _{DD} | | 5 | μA |
| I _{OZ} | Output Leakage Current | GND ≤ V _I ≤ V _{DDQ} , Output Disabled | -5 | 5 | μA |
| I _{DD} | V _{DD} Operating Supply | V _{DD} = Max., I _{OUT} = 0 mA, f = f _{MAX} = 1/t _{CYC} | 4.0-ns cycle, 250 MHz | 500 | mA |
| | | | 5.0-ns cycle, 200 MHz | 500 | mA |
| | | | 6.0-ns cycle, 167 MHz | 450 | mA |
| I _{SB1} | Automatic CE Power-down Current—TTL Inputs | Max. V _{DD} , Device Deselected, V _{IN} ≥ V _{IH} or V _{IN} ≤ V _{IL} , f = f _{MAX} = 1/t _{CYC} | 4.0-ns cycle, 250 MHz | 245 | mA |
| | | | 5.0-ns cycle, 200 MHz | 245 | mA |
| | | | 6.0-ns cycle, 167 MHz | 245 | mA |
| I _{SB2} | Automatic CE Power-down Current—CMOS Inputs | Max. V _{DD} , Device Deselected, V _{IN} ≤ 0.3V or V _{IN} ≥ V _{DDQ} - 0.3V, f = 0 | All speed grades | 120 | mA |
| I _{SB3} | Automatic CE Power-down Current—CMOS Inputs | Max. V _{DD} , Device Deselected, V _{IN} ≤ 0.3V or V _{IN} ≥ V _{DDQ} - 0.3V, f = f _{MAX} = 1/t _{CYC} | 4.0-ns cycle, 250 MHz | 245 | mA |
| | | | 5.0-ns cycle, 200 MHz | 245 | mA |
| | | | 6.0-ns cycle, 167 MHz | 245 | mA |
| I _{SB4} | Automatic CE Power-down Current—TTL Inputs | Max. V _{DD} , Device Deselected, V _{IN} ≥ V _{IH} or V _{IN} ≤ V _{IL} , f = 0 | All speed grades | 135 | mA |

Shaded areas contain advance information.

Notes:

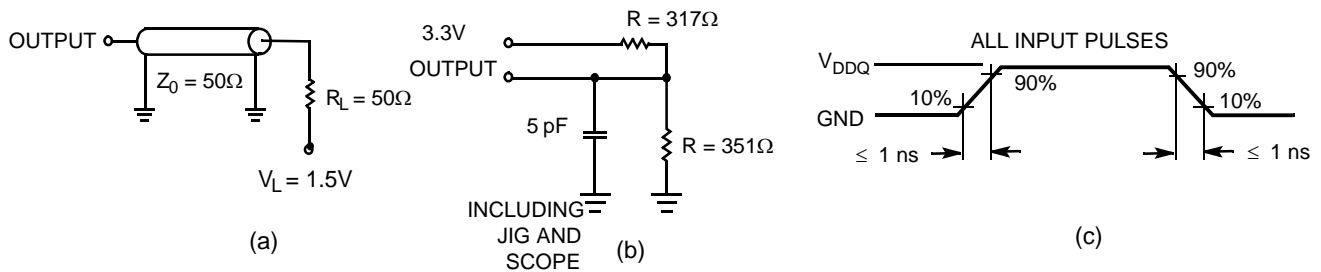
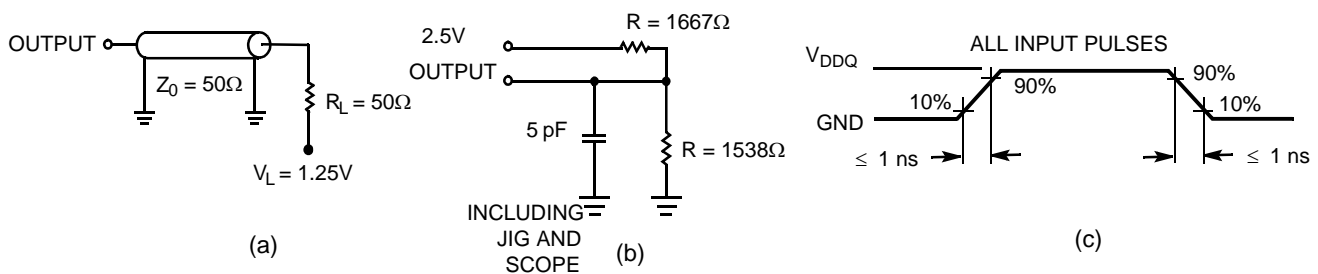
- 13. Overshoot: V_{IH}(AC) < V_{DD} + 1.5V (Pulse width less than t_{CYC}/2), undershoot: V_{IL}(AC) > -2V (Pulse width less than t_{CYC}/2).
- 14. T_{Power-up}: Assumes a linear ramp from 0V to V_{DD} (min.) within 200 ms. During this time V_{IH} < V_{DD} and V_{DDQ} < V_{DD}.

Capacitance^[15]

| Parameter | Description | Test Conditions | TQFP Max. | 209-BGA Max. | 165-fBGA Max. | Unit |
|----------------------|---------------------------|--|-----------|--------------|---------------|------|
| C _{ADDRESS} | Address Input Capacitance | T _A = 25°C, f = 1 MHz, V _{DD} = 3.3V V _{DDQ} = 2.5V | 6 | 6 | 6 | pF |
| C _{DATA} | Data Input Capacitance | | 5 | 5 | 5 | pF |
| C _{CTRL} | Control Input Capacitance | | 8 | 8 | 8 | pF |
| C _{CLK} | Clock Input Capacitance | | 6 | 6 | 6 | pF |
| C _{I/O} | Input/Output Capacitance | | 5 | 5 | 5 | pF |

Thermal Resistance^[15]

| Parameters | Description | Test Conditions | 165 fBGA Package | 209 BGA Package | TQFP Package | Unit |
|-----------------|--|--|------------------|-----------------|--------------|------|
| Θ _{JA} | Thermal Resistance (Junction to Ambient) | Test conditions follow standard test methods and procedures for measuring thermal impedance, per EIA / JESD51. | 16.3 | 15.2 | 24.63 | °C/W |
| Θ _{JC} | Thermal Resistance (Junction to Case) | | 2.1 | 1.7 | 2.28 | °C/W |

AC Test Loads and Waveforms
3.3V I/O Test Load

2.5V I/O Test Load

Note:

15. Tested initially and after any design or process changes that may affect these parameters.



PRELIMINARY

CY7C1470V33
CY7C1472V33
CY7C1474V33

Switching Characteristics Over the Operating Range [16, 17]

| Parameter | Description | -250 | | -200 | | -167 | | Unit |
|---------------------|---|------|------|------|------|------|------|------|
| | | Min. | Max. | Min. | Max. | Min. | Max. | |
| $t_{Power}^{[18]}$ | V_{CC} (typical) to the First Access Read or Write | 1 | | 1 | | 1 | | ms |
| Clock | | | | | | | | |
| t_{CYC} | Clock Cycle Time | 4.0 | | 5.0 | | 6.0 | | ns |
| F_{MAX} | Maximum Operating Frequency | | 250 | | 200 | | 167 | MHz |
| t_{CH} | Clock HIGH | 2.0 | | 2.0 | | 2.2 | | ns |
| t_{CL} | Clock LOW | 2.0 | | 2.0 | | 2.2 | | ns |
| Output Times | | | | | | | | |
| t_{CO} | Data Output Valid After CLK Rise | | 3.0 | | 3.0 | | 3.4 | ns |
| t_{OEV} | \overline{OE} LOW to Output Valid | | 3.0 | | 3.0 | | 3.4 | ns |
| t_{DOH} | Data Output Hold After CLK Rise | 1.3 | | 1.3 | | 1.5 | | ns |
| t_{CHZ} | Clock to High-Z ^[19, 20, 21] | | 3.0 | | 3.0 | | 3.4 | ns |
| t_{CLZ} | Clock to Low-Z ^[19, 20, 21] | 1.3 | | 1.3 | | 1.5 | | ns |
| t_{EOHZ} | \overline{OE} HIGH to Output High-Z ^[19, 20, 21] | | 3.0 | | 3.0 | | 3.4 | ns |
| t_{EOLZ} | \overline{OE} LOW to Output Low-Z ^[19, 20, 21] | 0 | | 0 | | 0 | | ns |
| Set-up Times | | | | | | | | |
| t_{AS} | Address Set-up Before CLK Rise | 1.4 | | 1.4 | | 1.5 | | ns |
| t_{DS} | Data Input Set-up Before CLK Rise | 1.4 | | 1.4 | | 1.5 | | ns |
| t_{CENS} | \overline{CEN} Set-up Before CLK Rise | 1.4 | | 1.4 | | 1.5 | | ns |
| t_{WES} | \overline{WE} , \overline{BW}_x Set-up Before CLK Rise | 1.4 | | 1.4 | | 1.5 | | ns |
| t_{ALS} | $\overline{ADV/LD}$ Set-up Before CLK Rise | 1.4 | | 1.4 | | 1.5 | | ns |
| t_{CES} | Chip Select Set-up | 1.4 | | 1.4 | | 1.5 | | ns |
| Hold Times | | | | | | | | |
| t_{AH} | Address Hold After CLK Rise | 0.4 | | 0.4 | | 0.5 | | ns |
| t_{DH} | Data Input Hold After CLK Rise | 0.4 | | 0.4 | | 0.5 | | ns |
| t_{CENH} | \overline{CEN} Hold After CLK Rise | 0.4 | | 0.4 | | 0.5 | | ns |
| t_{WEH} | \overline{WE} , \overline{BW}_x Hold After CLK Rise | 0.4 | | 0.4 | | 0.5 | | ns |
| t_{ALH} | $\overline{ADV/LD}$ Hold after CLK Rise | 0.4 | | 0.4 | | 0.5 | | ns |
| t_{CEH} | Chip Select Hold After CLK Rise | 0.4 | | 0.4 | | 0.5 | | ns |

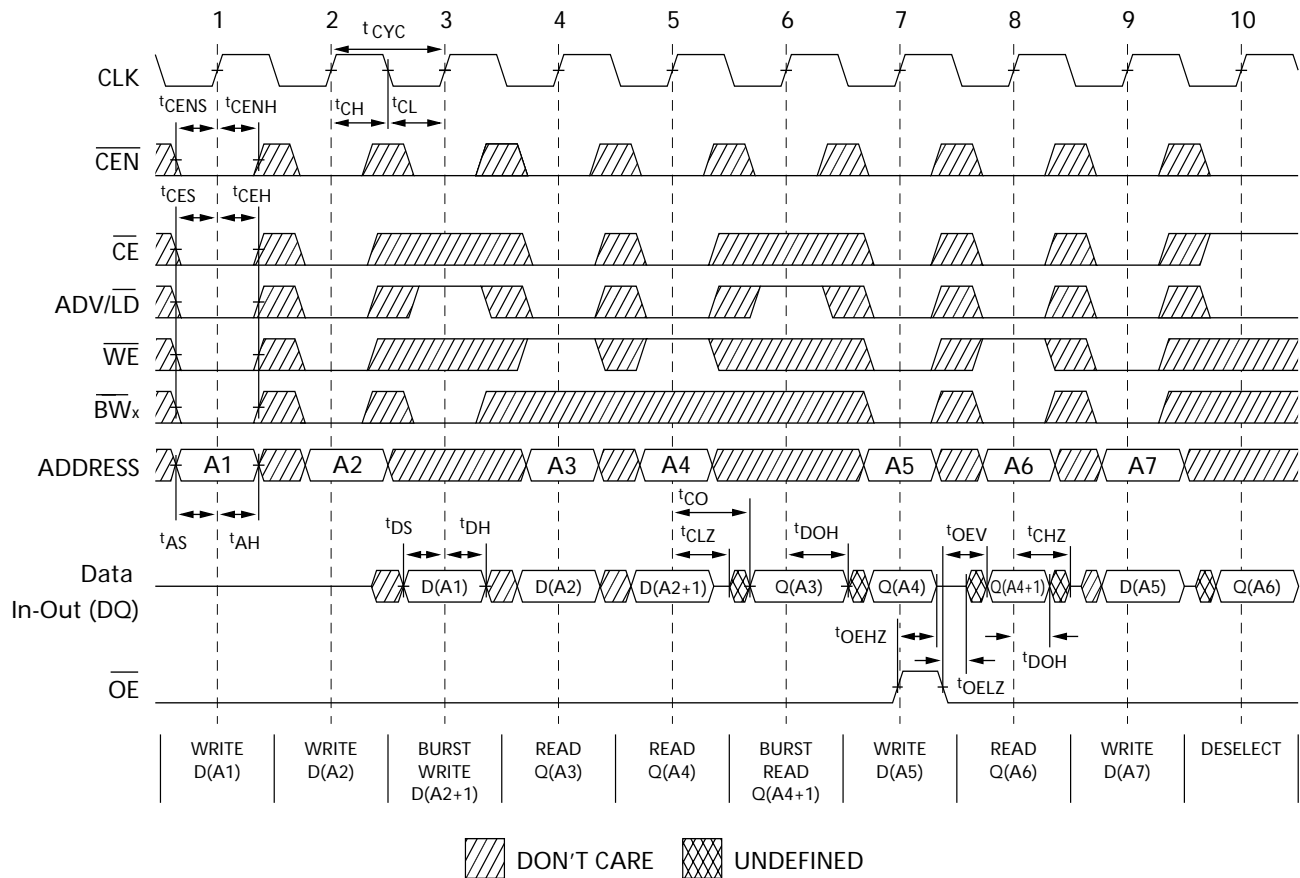
Shaded areas contain advance information.

Notes:

- 16. Timing reference is 1.5V when $V_{DDQ}=3.3V$ and is 1.25V when $V_{DDQ}=2.5V$.
- 17. Test conditions shown in (a) of AC Test Loads unless otherwise noted.
- 18. This part has a voltage regulator internally; t_{power} is the time power needs to be supplied above V_{DD} minimum initially, before a Read or Write operation can be initiated.
- 19. t_{CHZ} , t_{CLZ} , t_{EOLZ} , and t_{EOHZ} are specified with AC test conditions shown in (b) of AC Test Loads. Transition is measured ± 200 mV from steady-state voltage.
- 20. At any given voltage and temperature, t_{EOHZ} is less than t_{EOLZ} and t_{CHZ} is less than t_{CLZ} to eliminate bus contention between SRAMs when sharing the same data bus. These specifications do not imply a bus contention condition, but reflect parameters guaranteed over worst case user conditions. Device is designed to achieve High-Z prior to Low-Z under the same system conditions.
- 21. This parameter is sampled and not 100% tested.

Switching Waveforms

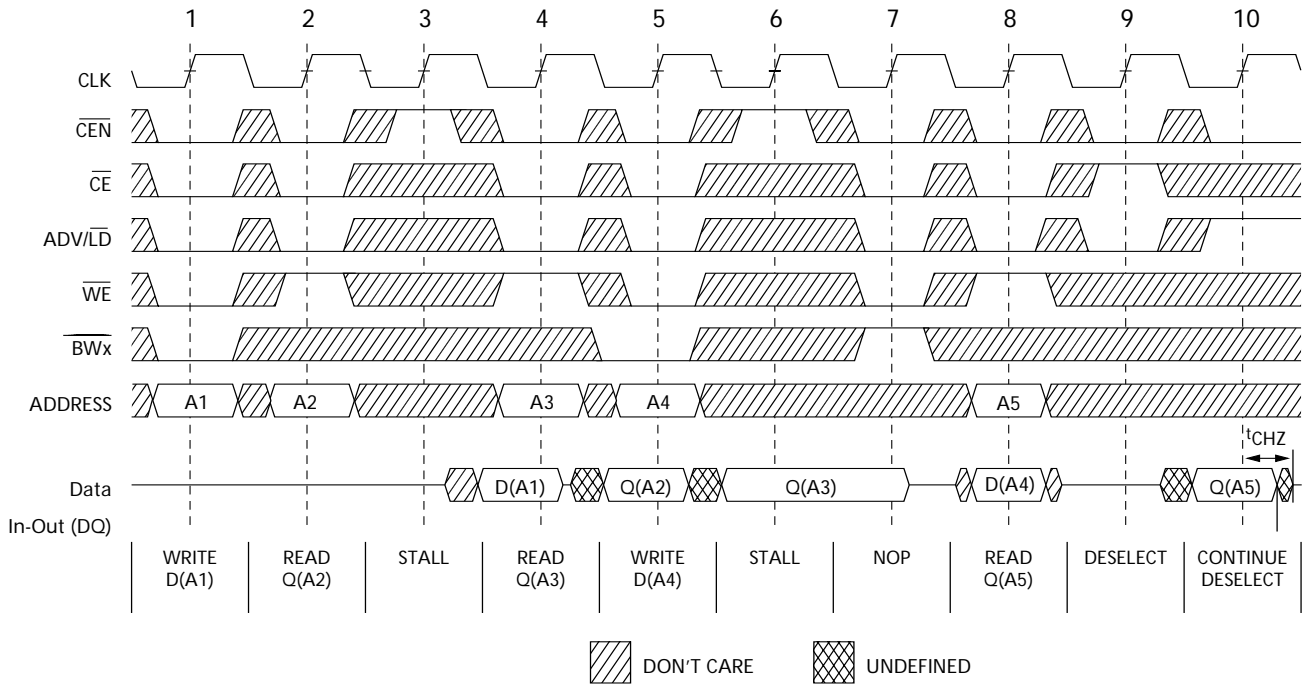
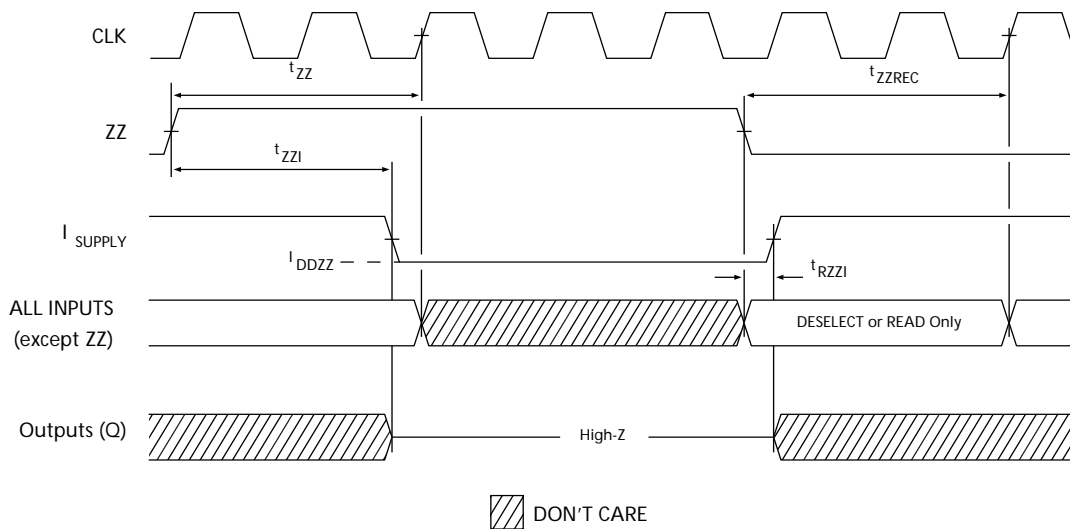
Read/Write/Timing [22, 23, 24]


Notes:

 22. For this waveform \overline{ZZ} is tied LOW.

 23. When \overline{CE} is LOW, \overline{CE}_1 is LOW, \overline{CE}_2 is HIGH and \overline{CE}_3 is LOW. When \overline{CE} is HIGH, \overline{CE}_1 is HIGH or \overline{CE}_2 is LOW or \overline{CE}_3 is HIGH.

24. Order of the Burst sequence is determined by the status of the MODE (0 = Linear, 1 = Interleaved). Burst operations are optional.

Switching Waveforms (continued)
NOP, STALL and DESELECT Cycles^[22, 23, 25]

ZZ Mode Timing^[26, 27]

Notes:

- 25. The IGNORE CLOCK EDGE or STALL cycle (Clock 3) illustrated \overline{CEN} being used to create a pause. A Write is not performed during this cycle.
- 26. Device must be deselected when entering ZZ mode. See cycle description table for all possible signal conditions to deselect the device.
- 27. I/Os are in High-Z when exiting ZZ sleep mode.



Ordering Information

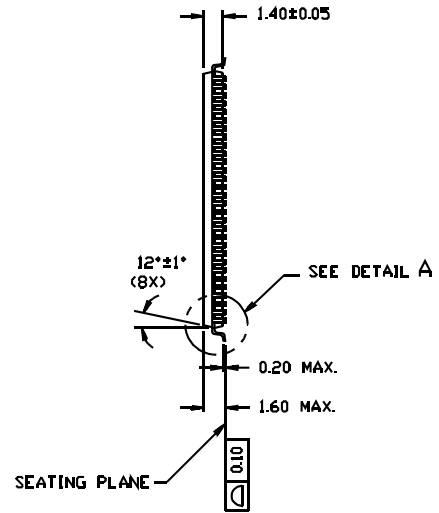
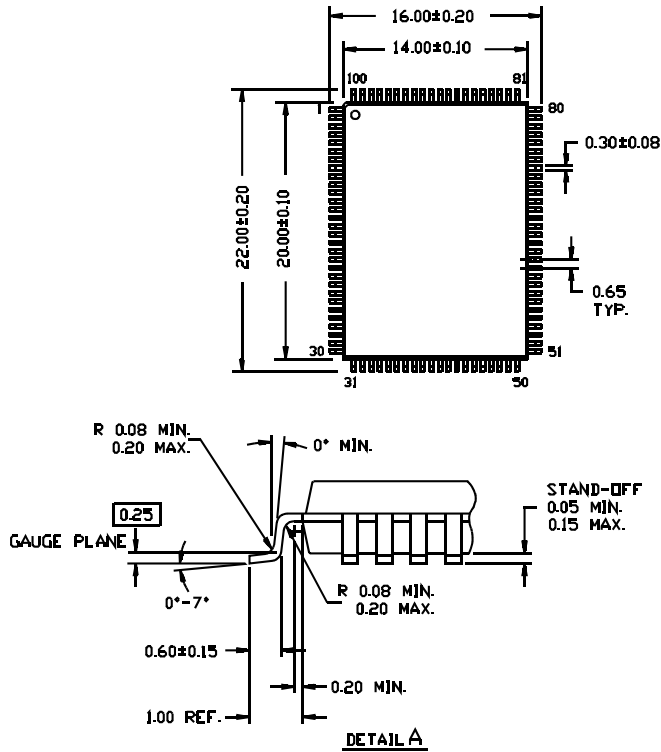
| Speed (MHz) | Ordering Code | Package Name | Package Type | Operating Range |
|-------------|---------------------|--------------|--|-----------------|
| 250 | CY7C1470V33-250AXC | A101 | Lead-Free 100-lead Thin Quad Flat Pack (14 x 20 x 1.4 mm) | Commercial |
| | CY7C1472V33-250AXC | | | |
| | CY7C1470V33-250BZC | BB165C | 165-ball Fine Pitch Ball Grid Array (15 x 17 x 1.4 mm) | |
| | CY7C1472V33-250BZC | | | |
| | CY7C1474V33-250BGC | BB209A | 209-ball Ball Grid Array (14 x 22 x 1.76 mm) | |
| | CY7C1470V33-250BZXC | BB165C | Lead-Free 165-ball Fine Pitch Ball Grid Array (15 x 17 x 1.4 mm) | |
| | CY7C1472V33-250BZXC | | | |
| | CY7C1474V33-250BGXC | BB209A | Lead-Free 209-ball Ball Grid Array (14 x 22 x 1.76 mm) | |
| 200 | CY7C1470V33-200AXC | A101 | Lead-Free 100-lead Thin Quad Flat Pack (14 x 20 x 1.4 mm) | |
| | CY7C1472V33-200AXC | | | |
| | CY7C1470V33-200BZC | BB165C | 165-ball Fine Pitch Ball Grid Array (15 x 17 x 1.4 mm) | |
| | CY7C1472V33-200BZC | | | |
| | CY7C1474V33-200BGC | BB209A | 209-ball Ball Grid Array (14 x 22 x 1.76 mm) | |
| | CY7C1470V33-200BZXC | BB165C | Lead-Free 165-ball Fine Pitch Ball Grid Array (15 x 17 x 1.4 mm) | |
| | CY7C1472V33-200BZXC | | | |
| | CY7C1474V33-200BGXC | BB209A | Lead-Free 209-ball Ball Grid Array (14 x 22 x 1.76 mm) | |
| 167 | CY7C1470V33-167AXC | A101 | Lead-Free 100-lead Thin Quad Flat Pack (14 x 20 x 1.4 mm) | |
| | CY7C1472V33-167AXC | | | |
| | CY7C1470V33-167BZC | BB165C | 165-ball Fine Pitch Ball Grid Array (15 x 17 x 1.4 mm) | |
| | CY7C1472V33-167BZC | | | |
| | CY7C1474V33-167BGC | BB209A | 209-ball Ball Grid Array (14 x 22 x 1.76 mm) | |
| | CY7C1470V33-167BZXC | BB165C | Lead-Free 165-ball Fine Pitch Ball Grid Array (15 x 17 x 1.4 mm) | |
| | CY7C1472V33-167BZXC | | | |
| | CY7C1474V33-167BGXC | BB209A | Lead-Free 209-ball Ball Grid Array (14 x 22 x 1.76 mm) | |
| 167 | CY7C1470V33-167AXI | A101 | Lead-Free 100-lead Thin Quad Flat Pack (14 x 20 x 1.4 mm) | Industrial |
| | CY7C1472V33-167AXI | | | |
| | CY7C1470V33-167BZI | BB165C | 165-ball Fine Pitch Ball Grid Array (15 x 17 x 1.4 mm) | |
| | CY7C1472V33-167BZI | | | |
| | CY7C1474V33-167BGI | BB209A | 209-ball Ball Grid Array (14 x 22 x 1.76 mm) | |
| | CY7C1470V33-167BZXI | BB165C | Lead-Free 165-ball Fine Pitch Ball Grid Array (15 x 17 x 1.4 mm) | |
| | CY7C1472V33-167BZXI | | | |
| | CY7C1474V33-167BGXI | BB209A | Lead-Free 209-ball Ball Grid Array (14 x 22 x 1.76 mm) | |

Shaded area contains advance information
Please contact your local Cypress sales representative for availability of these parts.
Lead-free BG packages (Ordering Code: BGX) will be available in 2005.

Package Diagrams

100-pin Thin Plastic Quad Flatpack (14 x 20 x 1.4 mm) A101

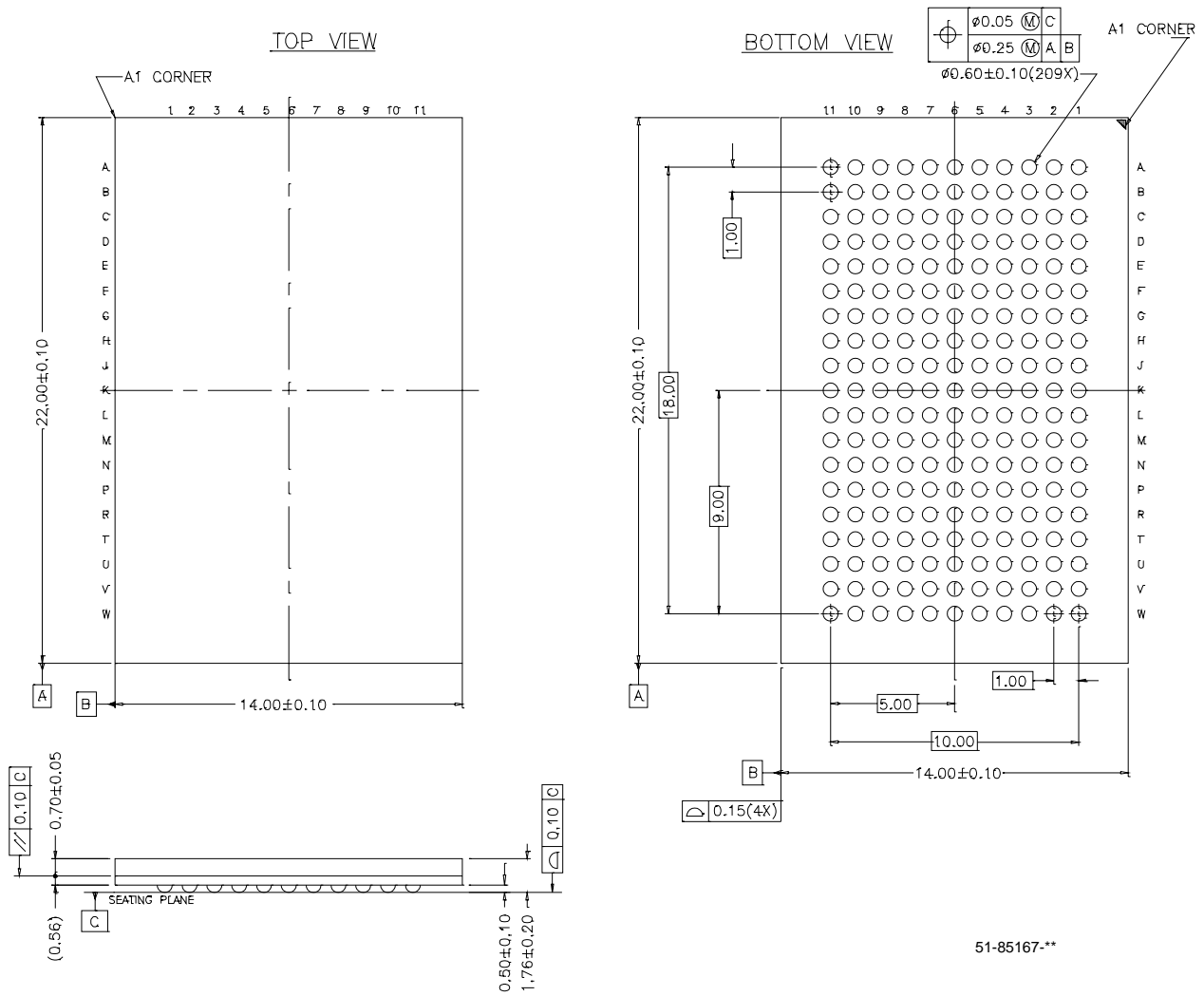
DIMENSIONS ARE IN MILLIMETERS.



51-85050-*A

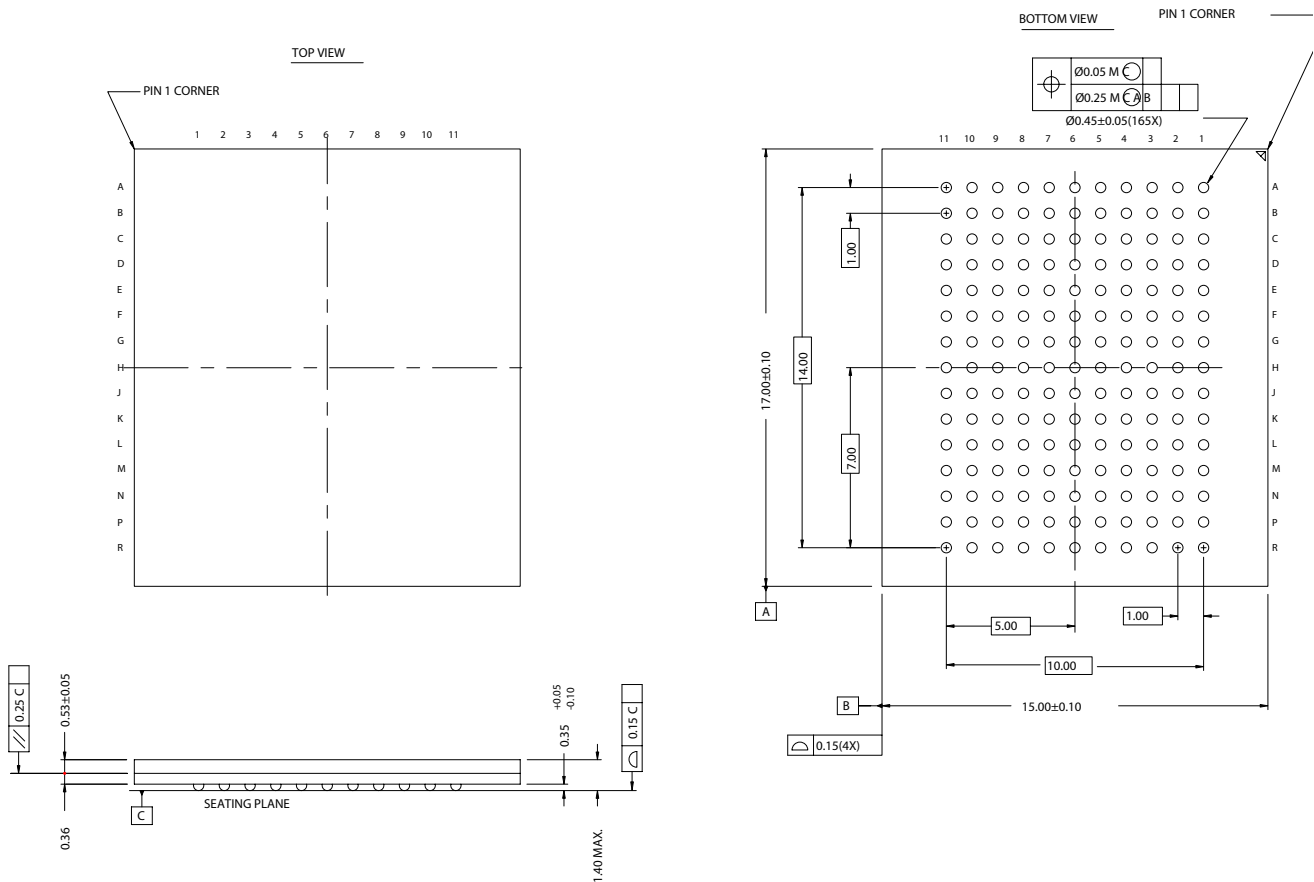
Package Diagrams (continued)

209-Ball FBGA (14 x 22 x 1.76 mm) BB209A



Package Diagrams (continued)

165-Ball FBGA (15 x 17 x 1.40 mm) BB165C



51-85165-*A

ZBT is a trademark of Integrated Device Technology. No Bus Latency and NoBL are trademarks of Cypress Semiconductor Corporation. All products and company names mentioned in this document may be the trademarks of their respective holders.



Document History Page

| Document Title: CY7C1470V33/CY7C1472V33/CY7C1474V33 72-Mbit (2M x 36/4M x 18/1M x 72) Pipelined SRAM with NoBL™ Architecture Document Number: 38-05289 | | | | |
|---|---------|------------|-----------------|---|
| REV. | ECN No. | Issue Date | Orig. of Change | Description of Change |
| ** | 114676 | 08/06/02 | PKS | New Data Sheet |
| *A | 121520 | 01/27/03 | CJM | Updated features for package offering Removed 300-MHz offering Changed tCO, tEOV, tCHZ, tEOHZ from 2.4 ns to 2.6 ns (250 MHz), tDOH, tCLZ from 0.8 ns to 1.0 ns (250 MHz), tDOH, tCLZ from 1.0 ns to 1.3 ns (200 MHz) Updated ordering information Changed Advanced Information to Preliminary |
| *B | 223721 | See ECN | NJY | Changed timing diagrams Changed logic block diagrams Modified Functional Description Modified "Functional Overview" section Added boundary scan order for all packages Included thermal numbers and capacitance values for all packages Included IDD and ISB values Removed 250-MHz offering and included 225-MHz speed bin Changed package outline for 165FBGA package and 209-ball BGA package Removed 119-BGA package offering |
| *C | 235012 | See ECN | RYQ | Minor Change: The data sheets do not match on the spec system and external web. |
| *D | 243572 | See ECN | NJY | Changed ball C11,D11,E11,F11,G11 from DQPb,DQb,DQb,DQb to DQPa,DQa,DQa,DQa,DQa in page 4 Modified capacitance values in page 20 |
| *E | 299511 | See ECN | SYT VBL | Removed 225-MHz offering and included 250-MHz speed bin Changed t _{CYC} from 4.4 ns to 4.0 ns for 250-MHz Speed Bin Changed Θ_{JA} from 16.8 to 24.63 °C/W and Θ_{JC} from 3.3 to 2.28 °C/W for 100 TQFP Package on Page # 20 Added lead-free information for 100-Pin TQFP and 165 FBGA Packages Added comment of 'Lead-free BG packages availability' below the Ordering Information Add Industrial part numbers in Ordering Info section. |