

# 128K x 16 Static RAM

## Features

- 3.0 – 3.6V Operation
- High speed
  - $t_{AA} = 12, 15 \text{ ns}$
- CMOS for optimum speed/power
- Low active power
  - 684 mW (Max.)
- Automatic power-down when deselected
- Independent control of upper and lower bits
- Available in 44-pin TSOP II

## Functional Description

The CY7C1011BV33 is a high-performance CMOS static RAM organized as 131,072 words by 16 bits. This device has an automatic power-down feature that significantly reduces power consumption when deselected.

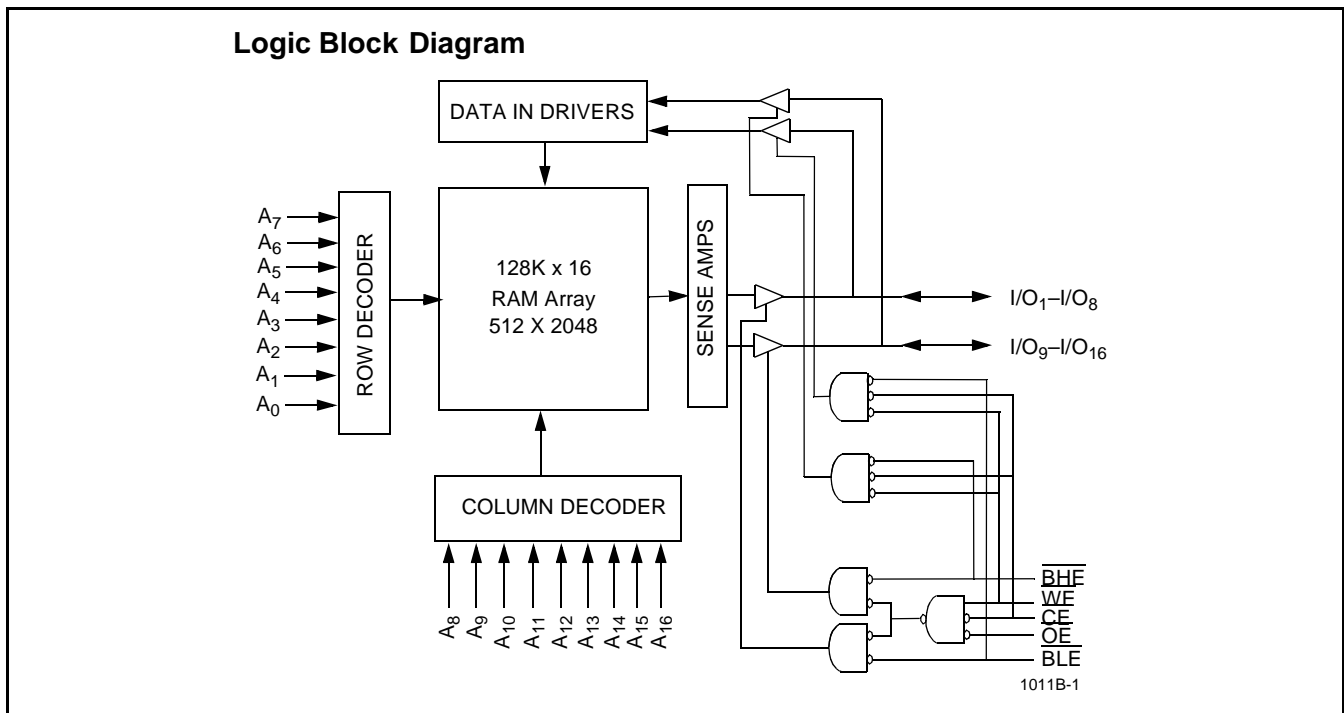
Writing to the device is accomplished by taking Chip Enable (CE) and Write Enable (WE) inputs LOW. If Byte Low Enable

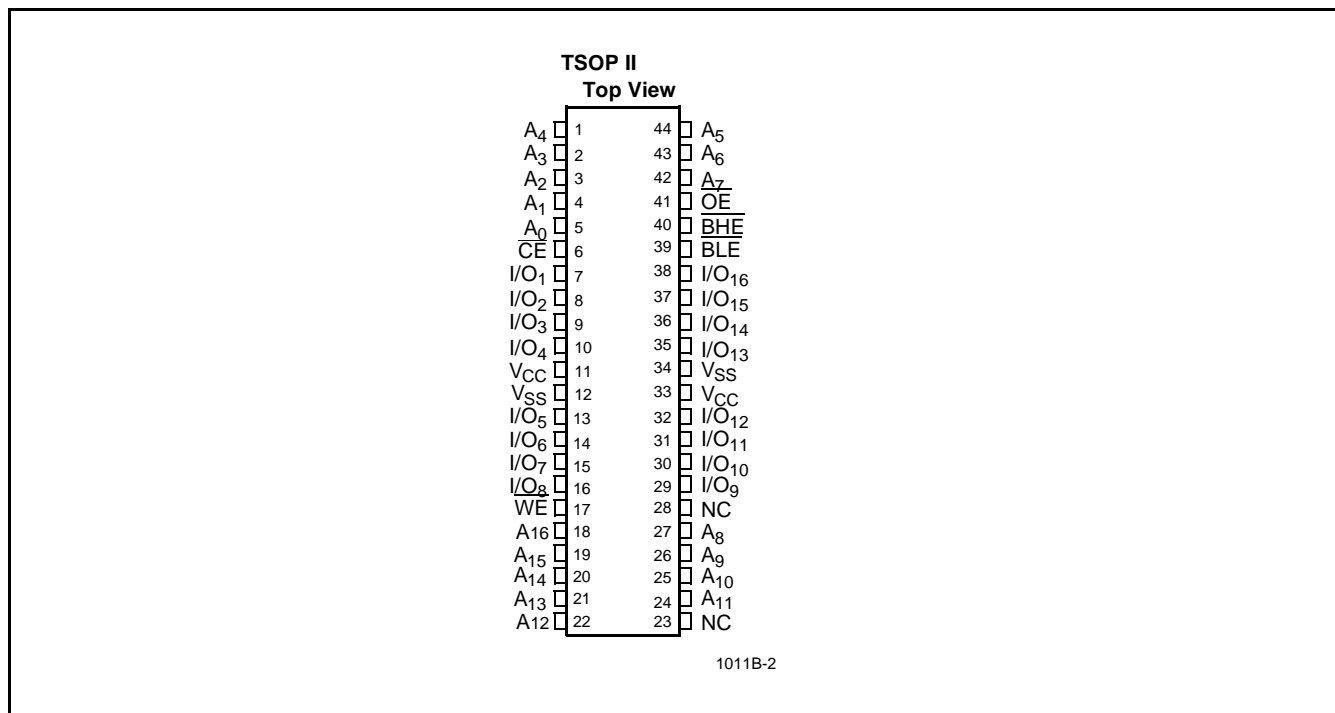
(BLE) is LOW, then data from I/O pins (I/O<sub>1</sub> through I/O<sub>8</sub>), is written into the location specified on the address pins (A<sub>0</sub> through A<sub>15</sub>). If Byte High Enable (BHE) is LOW, then data from I/O pins (I/O<sub>9</sub> through I/O<sub>16</sub>) is written into the location specified on the address pins (A<sub>0</sub> through A<sub>16</sub>).

Reading from the device is accomplished by taking Chip Enable (CE) and Output Enable (OE) LOW while forcing the Write Enable (WE) HIGH. If Byte Low Enable (BLE) is LOW, then data from the memory location specified by the address pins will appear on I/O<sub>1</sub> to I/O<sub>8</sub>. If Byte High Enable (BHE) is LOW, then data from memory will appear on I/O<sub>9</sub> to I/O<sub>16</sub>. See the truth table at the back of this data sheet for a complete description of read and write modes.

The input/output pins (I/O<sub>1</sub> through I/O<sub>16</sub>) are placed in a high-impedance state when the device is deselected (CE HIGH), the outputs are disabled (OE HIGH), the BHE and BLE are disabled (BHE, BLE HIGH), or during a write operation (CE LOW, and WE LOW).

The CY7C1011BV33 is available in standard 44-pin TSOP Type II package.



**Pin Configuration**

**Selection Guide**

		1011BV33-12	1011BV33-15
Maximum Access Time (ns)	Commercial	12	15
Maximum Operating Current (mA)	Commercial	190	170
Maximum CMOS Standby Current (mA)	Commercial	10	10

**Maximum Ratings**

(Above which the useful life may be impaired. For user guidelines, not tested.)

Storage Temperature ..... -65°C to +150°C

Ambient Temperature with Power Applied..... -55°C to +125°C

Supply Voltage on V<sub>CC</sub> to Relative GND<sup>[1]</sup>..... -0.5V to +7.0V

DC Voltage Applied to Outputs in High Z State<sup>[1]</sup>..... -0.5V to V<sub>CC</sub>+0.5V

DC Input Voltage<sup>[1]</sup> ..... -0.5V to V<sub>CC</sub>+0.5V

Current into Outputs (LOW) ..... 20 mA

Static Discharge Voltage ..... >2001 V (per MIL-STD-883, Method 3015)

Latch-Up Current..... >200 mA

**Operating Range**

Range	Ambient Temperature <sup>[2]</sup>	V <sub>CC</sub>
Commercial	0°C to +70°C	3.3V ± 10%
Industrial	-40°C to +85°C	3.3V ± 10%

**Electrical Characteristics** Over the Operating Range

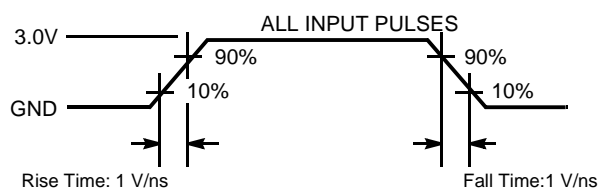
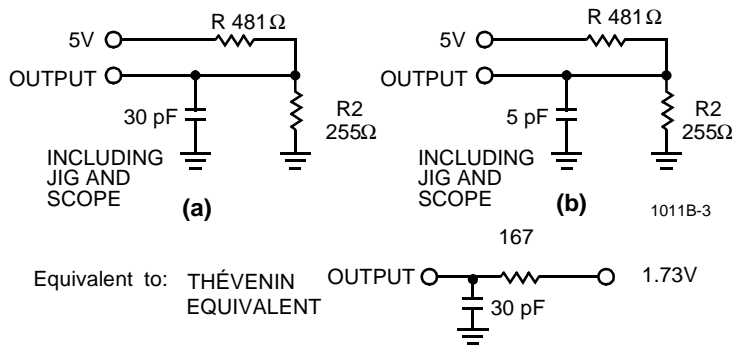
Parameter	Description	Test Conditions	1011BV33-12		1011BV33-15		Unit
			Min.	Max.	Min.	Max.	
V <sub>OH</sub>	Output HIGH Voltage	V <sub>CC</sub> = Min., I <sub>OH</sub> = -4.0 mA	2.4		2.4		V
V <sub>OL</sub>	Output LOW Voltage	V <sub>CC</sub> = Min., I <sub>OL</sub> = 8.0 mA		0.4		0.4	V

**Electrical Characteristics** Over the Operating Range (continued)

Parameter	Description	Test Conditions	1011BV33-12		1011BV33-15		Unit
			Min.	Max.	Min.	Max.	
$V_{IH}$	Input HIGH Voltage		2.2		2.2		V
$V_{IL}$	Input LOW Voltage <sup>[1]</sup>		-0.3	0.8	-0.3	0.8	V
$I_{IX}$	Input Load Current	$GND \leq V_I \leq V_{CC}$	-1	+1	-1	+1	$\mu A$
$I_{OZ}$	Output Leakage Current	$GND \leq V_I \leq V_{CC}$ , Output Disabled	-1	+1	-1	+1	$\mu A$
$I_{OS}$	Output Short Circuit Current <sup>[3]</sup>	$V_{CC} = \text{Max.}$ , $V_{OUT} = GND$		-300		-300	mA
$I_{CC}$	$V_{CC}$ Operating Supply Current	$V_{CC} = \text{Max.}$ , $I_{OUT} = 0 \text{ mA}$ , $f = f_{MAX} = 1/t_{RC}$		190		170	mA
$I_{SB1}$	Automatic CE Power-Down Current —TTL Inputs	Max. $V_{CC}$ , $CE \geq V_{IH}$ $V_{IN} \geq V_{IH}$ or $V_{IN} \leq V_{IL}$ , $f = f_{MAX}$		40		40	mA
$I_{SB2}$	Automatic CE Power-Down Current —CMOS Inputs	Max. $V_{CC}$ , $CE \geq V_{CC} - 0.3V$ , $V_{IN} \geq V_{CC} - 0.3V$ , or $V_{IN} \leq 0.3V$ , $f = 0$		10		10	mA
		L		0.5		0.5	

**Capacitance<sup>[4]</sup>**

Parameter	Description	Test Conditions	Max.	Unit
$C_{IN}$	Input Capacitance	$T_A = 25^\circ C$ , $f = 1 \text{ MHz}$ , $V_{CC} = 5.0V$	8	pF
$C_{OUT}$	Output Capacitance		8	pF

**AC Test Loads and Waveforms**


1011B-4

**Notes:**

- $V_{IL}$  (min.) = -2.0V for pulse durations of less than 20 ns.
- $T_A$  is the "instant on" case temperature.
- Not more than one output should be shorted at one time. Duration of the short circuit should not exceed 30 seconds.

**Switching Characteristics<sup>[5]</sup> Over the Operating Range**

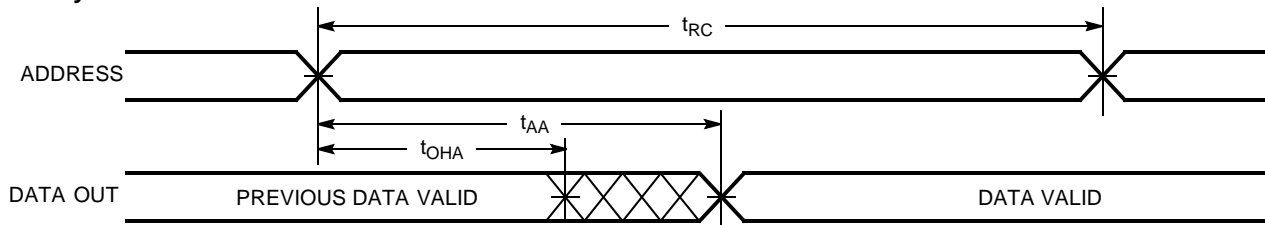
Parameter	Description	1011BV33-12		1011BV33-15		Unit
		Min.	Max.	Min.	Max.	
<b>READ CYCLE</b>						
t <sub>RC</sub>	Read Cycle Time	12		15		ns
t <sub>AA</sub>	Address to Data Valid		12		15	ns
t <sub>OHA</sub>	Data Hold from Address Change	3		3		ns
t <sub>ACE</sub>	$\overline{CE}$ LOW to Data Valid		12		15	ns
t <sub>DOE</sub>	$\overline{OE}$ LOW to Data Valid		6		7	ns
t <sub>LZOE</sub>	$\overline{OE}$ LOW to Low Z <sup>[6]</sup>	0		0		ns
t <sub>HZOE</sub>	$\overline{OE}$ HIGH to High Z <sup>[6, 7]</sup>		6		7	ns
t <sub>LZCE</sub>	$\overline{CE}$ LOW to Low Z <sup>[6]</sup>	3		3		ns
t <sub>HZCE</sub>	$\overline{CE}$ HIGH to High Z <sup>[6, 7]</sup>		6		7	ns
t <sub>PU</sub>	$\overline{CE}$ LOW to Power-Up	0		0		ns
t <sub>PD</sub>	$\overline{CE}$ HIGH to Power-Down		12		15	ns
t <sub>DBE</sub>	Byte Enable to Data Valid		6		7	ns
t <sub>LZBE</sub>	Byte Enable to Low Z	0		0		ns
t <sub>HZBE</sub>	Byte Disable to High Z		6		7	ns

**Notes:**

4. Tested initially and after any design or process changes that may affect these parameters.
5. Test conditions assume signal transition time of 3 ns or less, timing reference levels of 1.5V, input pulse levels of 0 to 3.0V, and output loading of the specified I<sub>OL</sub>/I<sub>OH</sub> and 30-pF load capacitance.
6. At any given temperature and voltage condition, t<sub>HZCE</sub> is less than t<sub>LZCE</sub>; t<sub>HZOE</sub> is less than t<sub>LZOE</sub>; and t<sub>HZWE</sub> is less than t<sub>LZWE</sub> for any given device.
7. t<sub>HZOE</sub>, t<sub>HZBE</sub>, t<sub>HZCE</sub>, and t<sub>HZWE</sub> are specified with a load capacitance of 5 pF as in part (b) of AC Test Loads. Transition is measured ±500 mV from steady-state voltage.

**Switching Characteristics<sup>[5]</sup> Over the Operating Range**

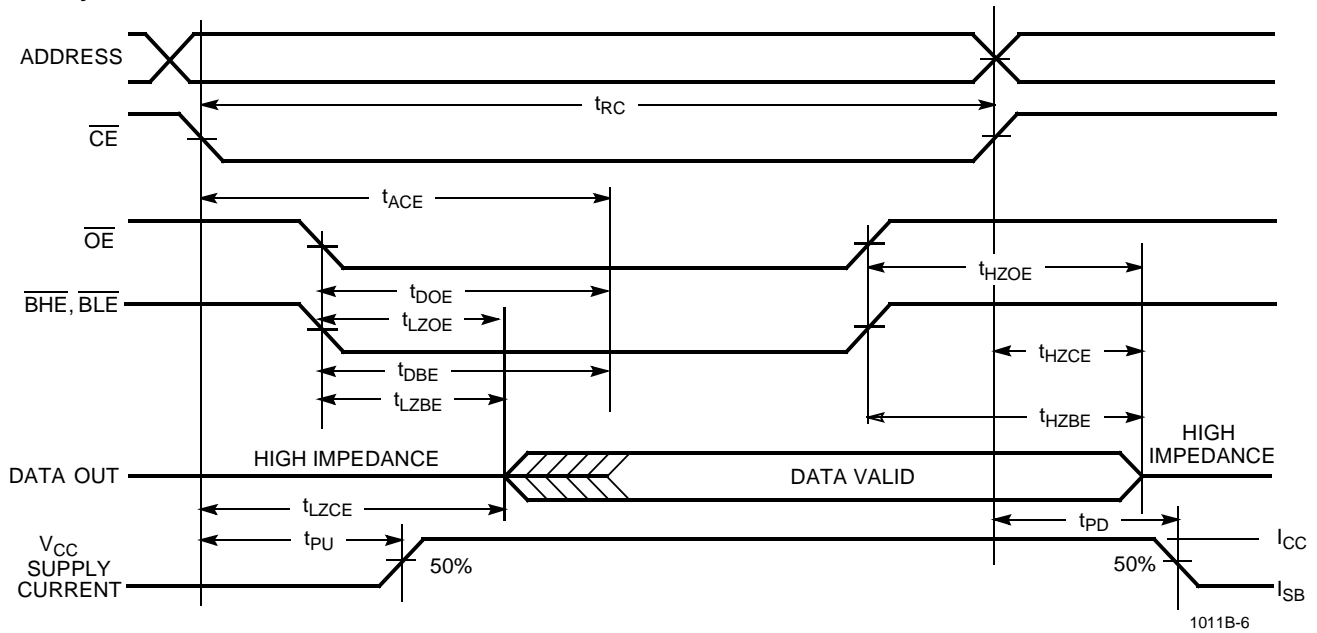
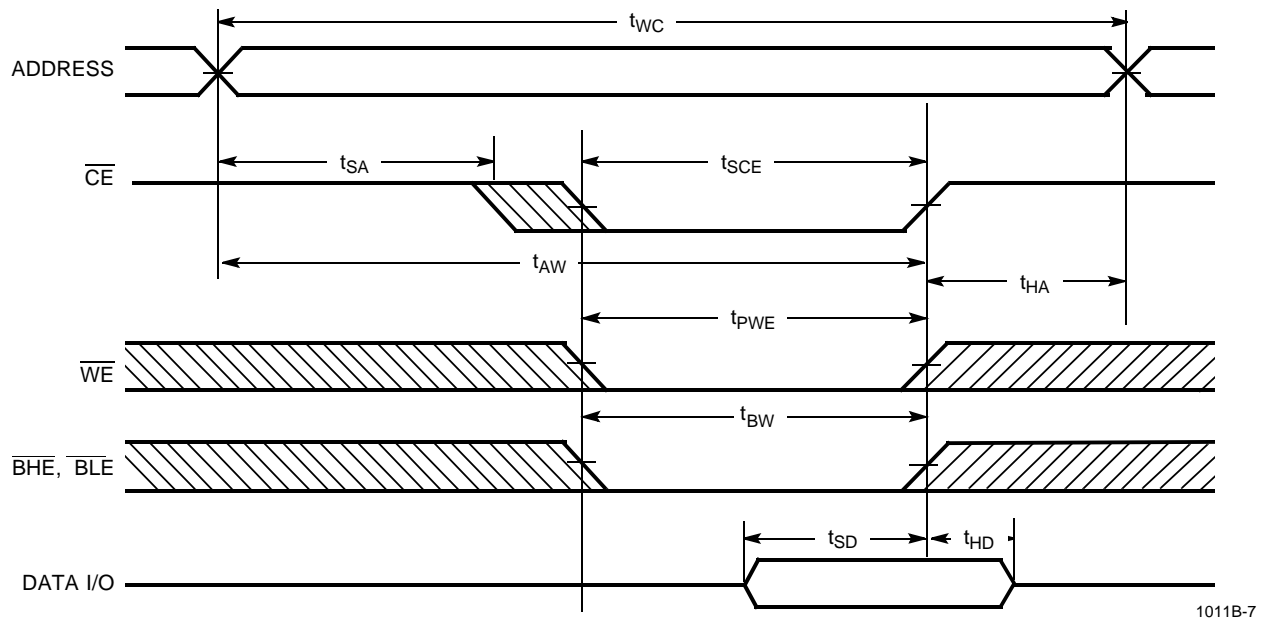
Parameter	Description	1011BV33-12		1011BV33-15		Unit
		Min.	Max.	Min.	Max.	
<b>WRITE CYCLE<sup>[8]</sup></b>						
$t_{WC}$	Write Cycle Time	12		15		ns
$t_{SCE}$	$\overline{CE}$ LOW to Write End	10		12		ns
$t_{AW}$	Address Set-Up to Write End	10		12		ns
$t_{HA}$	Address Hold from Write End	0		0		ns
$t_{SA}$	Address Set-Up to Write Start	0		0		ns
$t_{PWE}$	$\overline{WE}$ Pulse Width	10		12		ns
$t_{SD}$	Data Set-Up to Write End	7		8		ns
$t_{HD}$	Data Hold from Write End	0		0		ns
$t_{LZWE}$	$\overline{WE}$ HIGH to Low Z <sup>[6]</sup>	3		3		ns
$t_{HZWE}$	$\overline{WE}$ LOW to High Z <sup>[6, 7]</sup>		6		7	ns
$t_{BW}$	Byte Enable to End of Write	10		12		ns

**Switching Waveforms**
**Read Cycle No. 1<sup>[9, 10]</sup>**


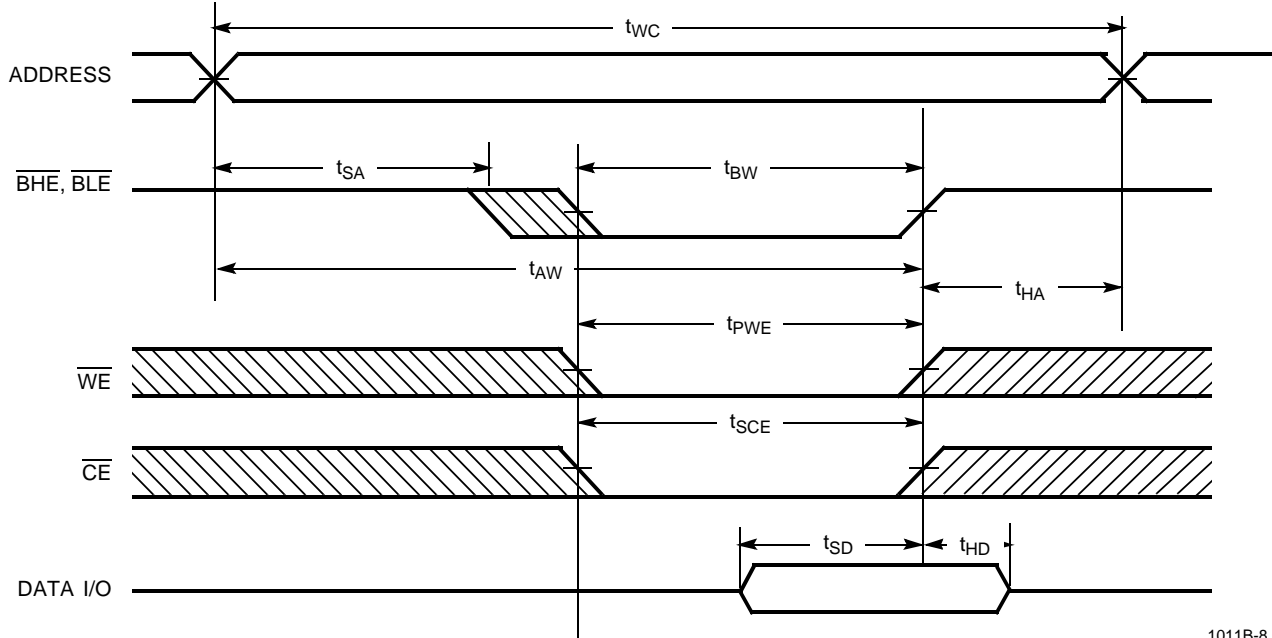
1011B-5

**Note:**

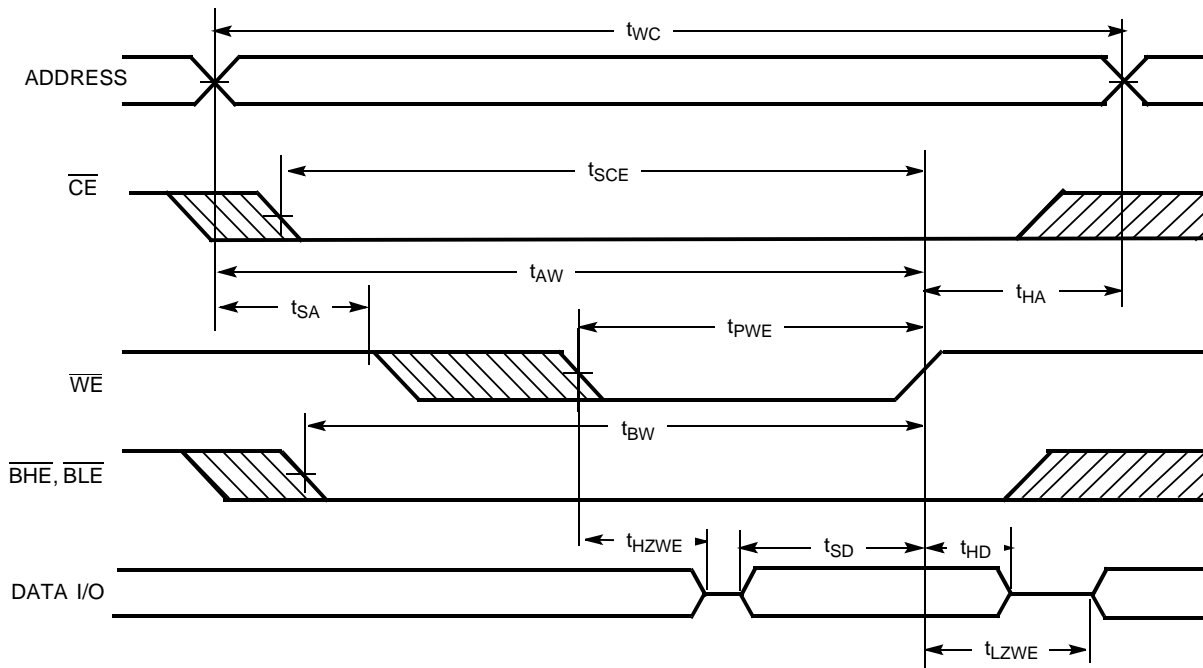
8. The internal write time of the memory is defined by the overlap of  $\overline{CE}$  LOW,  $\overline{WE}$  LOW and  $\overline{BHE}$  /  $\overline{BLE}$  LOW.  $\overline{CE}$ ,  $\overline{WE}$  and  $\overline{BHE}$  /  $\overline{BLE}$  must be LOW to initiate a write, and the transition of these signals can terminate the write. The input data set-up and hold timing should be referenced to the leading edge of the signal that terminates the write.
9. Device is continuously selected. OE, CE, BHE and/or BBE =  $V_{IL}$ .
10. WE is HIGH for read cycle.

**Switching Waveforms (continued)**
**Read Cycle No. 2 ( $\overline{OE}$  Controlled)[10, 11]**

**Write Cycle No. 1 ( $\overline{CE}$  Controlled)[12, 13]**

**Notes:**

11. Address valid prior to or coincident with  $\overline{CE}$  transition LOW.
12. Data I/O is high impedance if  $\overline{OE}$  or BHE and/or BLE =  $V_{IH}$ .
13. If  $\overline{CE}$  goes HIGH simultaneously with  $\overline{WE}$  going HIGH, the output remains in a high-impedance state.

**Switching Waveforms (continued)**
**Write Cycle No. 2 ( $\overline{\text{BLE}}$  or  $\overline{\text{BHE}}$  Controlled)**


1011B-8

**Write Cycle No. 3 ( $\overline{\text{WE}}$  Controlled,  $\overline{\text{OE}}$  LOW)**


1011B-10

**Truth Table**

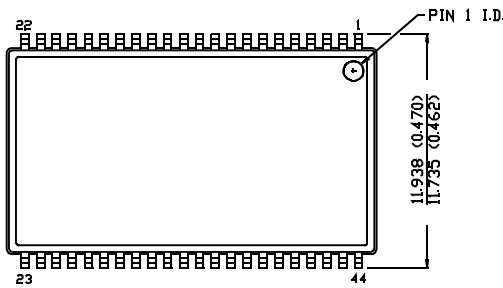
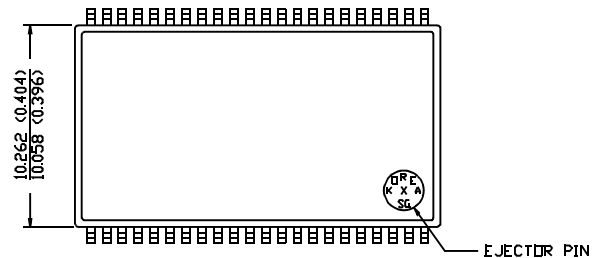
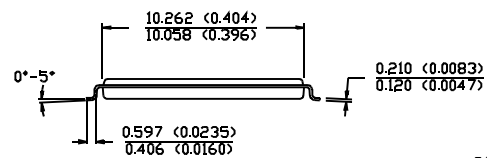
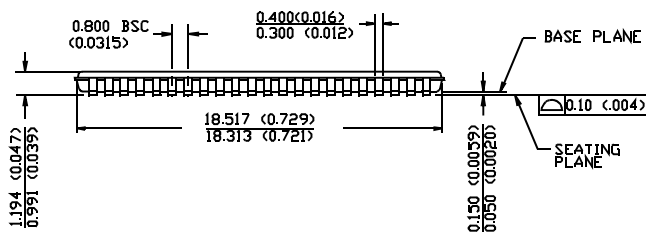
CE	OE	WE	BLE	BHE	I/O <sub>1</sub> -I/O <sub>8</sub>	I/O <sub>9</sub> -I/O <sub>16</sub>	Mode	Power
H	X	X	X	X	High Z	High Z	Power-Down	Standby (I <sub>SB</sub> )
L	L	H	L	L	Data Out	Data Out	Read - All bits	Active (I <sub>CC</sub> )
			L	H	Data Out	High Z	Read - Lower bits only	Active (I <sub>CC</sub> )
			H	L	High Z	Data Out	Read - Upper bits only	Active (I <sub>CC</sub> )
L	X	L	L	L	Data In	Data In	Write - All bits	Active (I <sub>CC</sub> )
			L	H	Data In	High Z	Write - Lower bits only	Active (I <sub>CC</sub> )
			H	L	High Z	Data In	Write - Upper bits only	Active (I <sub>CC</sub> )
L	H	H	X	X	High Z	High Z	Selected, Outputs Disabled	Active (I <sub>CC</sub> )
L	X	X	H	H	High Z	High Z	Selected, Outputs Disabled	Active (I <sub>CC</sub> )



**Ordering Information**

Speed (ns)	Ordering Code	Package Name	Package Type	Operating Range
12	CY7C1011BV33-12ZI	Z44	44-Lead TSOP Type II	Industrial
	CY7C1011BV33-12ZC	Z44	44-Lead TSOP Type II	Commercial
15	CY7C1011BV33-15ZC	Z44	44-Lead TSOP Type II	Commercial
	CY7C1011BV33-15ZI	Z44	44-Lead TSOP Type II	Industrial

**Package Diagrams**
**44-Pin TSOP II Z44**

 DIMENSION IN MM (INCH)  
 MAX  
 MIN

**TOP VIEW**

**BOTTOM VIEW**


51-85087-A



<b>Document Title: CY7C1011BV33 128K X 16 Static RAM</b> <b>Document Number: 38-05021</b>				
<b>REV.</b>	<b>ECN NO.</b>	<b>Issue Date</b>	<b>Orig. of Change</b>	<b>Description of Change</b>
**	106652	04/26/01	MPR	New Data Sheet
*A	107728	07/11/01	DFP	Remove SOJ TQFP Packages. Remove 8, 10 ns. changed Low Active Power to 684. Change words/array/ added 2 addresses.