

Photoelectrics, Fibre Optic Sensor Plastic Fibres Type PD 60 CNX 20 BP .. T

CARLO GAVAZZI



- Range: Fibre dependent
 - Diffuse Reflective typ. 80 mm
 - Through Beam typ. 200 mm
- Teach-In (keyboard or remote setup)
- Keyboard set-up and multifunction LED
- Keyboard lock
- Microprocessor controlled and EEPROM parameter storage
- Operational voltage 10 - 30 V DC
- Output 100 mA, NPN and PNP
- Light or dark switching selectable
- Cable or M8 standard plug
- IP65 protection
- Timer: ON-delay or OFF-delay
- cUL and CE approved

Product Description

The PD60CNX20BP.. T is a fibre optic amplifier made specific for plastic fibres. The sensor is microprocessor based and has a buildin programmable functions such as Teach-In function for fast sensing distance optimising, NO or NC output, Time delay Onor OFF. The sensor output is build as a Push-pull output that performs both a NPN and PNP output which are fully protected against short-cir-

cuit, transients and wrong polarity. The sensor is build in a strong 13 x 30 x 60 mm polycarbonate housing for DIN-rail mounting.

The sensors are suitable for applications that require little space and high accuracy such as: Small part detection, tight locations, checking parts, counting, precise part positioning, material handling and assembly and robotics

Ordering Key

PD 60 CNX 20 BP M5 T

Type	_____
Housing style	_____
Housing size	_____
Housing material	_____
Not Used	_____
Plastic fibres	_____
Sensing distance cm	_____
Output type	_____
Output configuration	_____
Connection type	_____
Teach-In mode	_____

Type Selection

Housing W x H x D	Range S _n (Fibre dependent)	Ordering no. NPN and PNP cable Make or break switching	Ordering no. NPN and PNP plug Make or break switching
13 x 30 x 60 mm	80 mm diffuse mode 200 mm through beam mode	PD 60 CNX 20 BP T	PD 60 CNX 20 BP M5 T

Specifications

Rated operating distance (S_n) Diffuse mode Through beam mode	See optical fibre table Up to 80 mm Up to 200 mm	No load supply current (I_o)	≤ 40 mA
Sensitivity Teach-In Manual fine tune	Automatic threshold set-up Sensitivity increase or sensitivity decrease	Voltage drop (U_d) I _L = 100 mA I _L = 10 mA	≤ 2 VDC ≤ 1 VDC
Temperature drift	< 0,4%/C°	Remote input ON OFF	≤ 1.4 VDC ≥ 3.0 VDC
Hysteresis (H) Differential travel	≤ 5%	Timer Range programmable First step Following step	0 to 5 s in 11 steps 40 ms 500 ms
Rated operational volt. (U_B)	10 to 30 VDC (ripple included)	Protection	Short-circuit, reverse polarity, transients
Ripple (U_{ripp})	≤ 10%	Light source Light type Ambient light Incandescent light Sunlight	GaAlAs, LED 660 nm Red modulated 10'000 Lux 20'000 Lux
Output current Continuous (I _a) Short-time (I)	100 mA 100 mA		

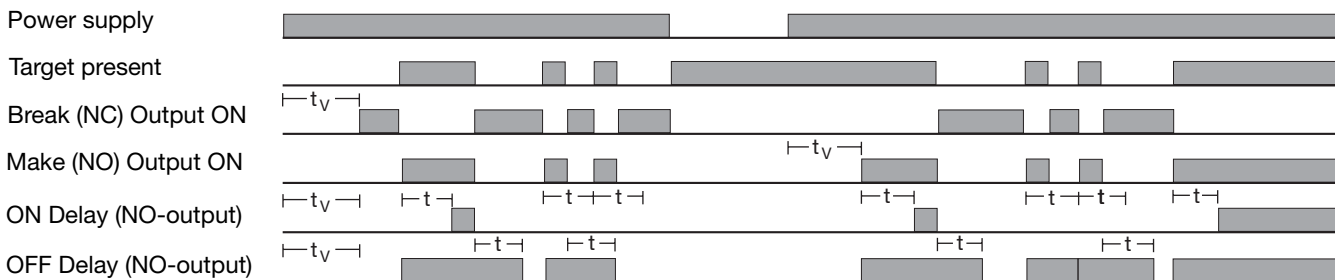


Specifications (cont.)

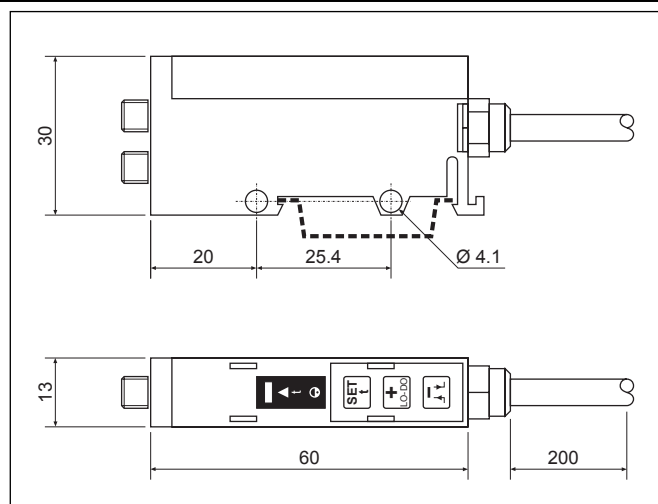
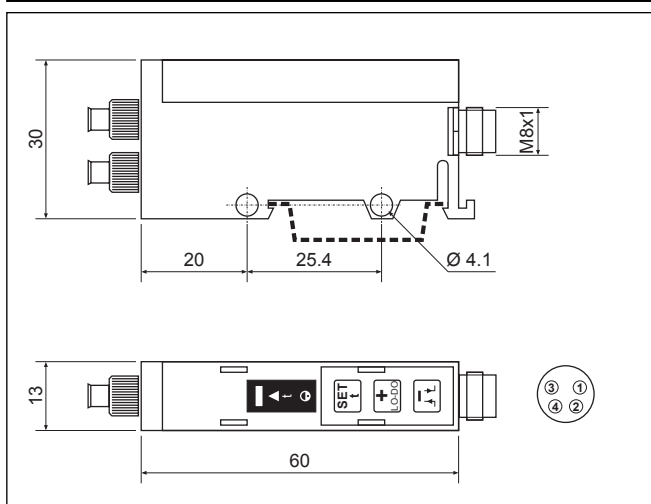
Operating frequency	1 KHz	Temperature	
Response time		Operating	0° to +60°C (32° to +140°F)
OFF-ON (t_{ON})	$\leq 500 \mu s$	Storage	-20° to +80°C (-4° to +176°F)
ON-OFF (t_{OFF})	$\leq 500 \mu s$	Vibration	10 to 150 Hz, 0.5 mm/7.5 g (IEC60068-2-6)
Power ON delay (t_v)	$\leq 300 ms$	Shock	2 x 1 m & 100 x 0.5 m (IEC 60068-2-6, 60068-2-32)
Output function		Rated insulation voltage	50 VAC (rms)
NPN and PNP	Available (Push-pull output)	Housing material	
Make or break	Programming by keyboard	Body	Polycarbonate
Indication function	Target detected, timer ON, sensitivity, alignment, low signal, keyboard lock, short circuit	Connection	
Environment		Cable	PVC, grey, 2 m, 4 x 0,25 mm ²
Installation category	I (IEC 60664/60664A;60947-1)	Plug	NPB, M8 x 1
Pollution degree	3 (IEC 60664/60664A;60947-1)	Cables for plug (M5)	CONG5A-series
Degree of protection	IP 65 (IEC 60529; 60947-1)	Weight	24 g
		Approvals	cUL
		CE-marking	Yes

Operation Diagram

t_v = Power ON delay



Dimensions

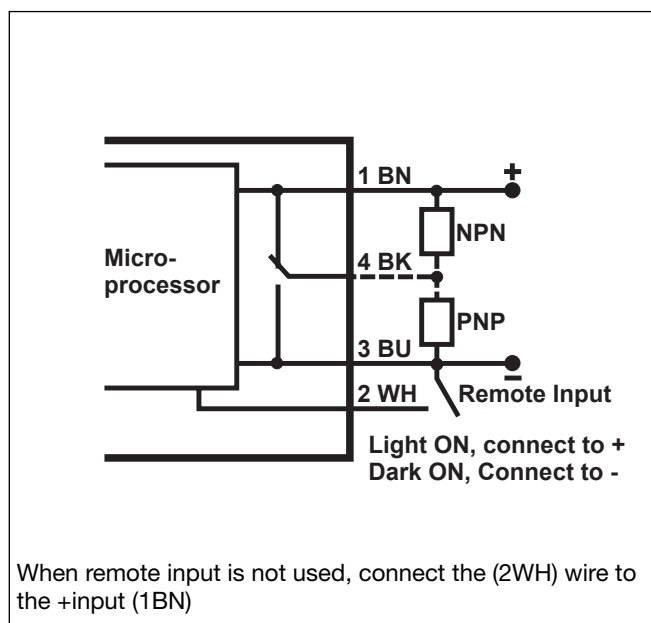




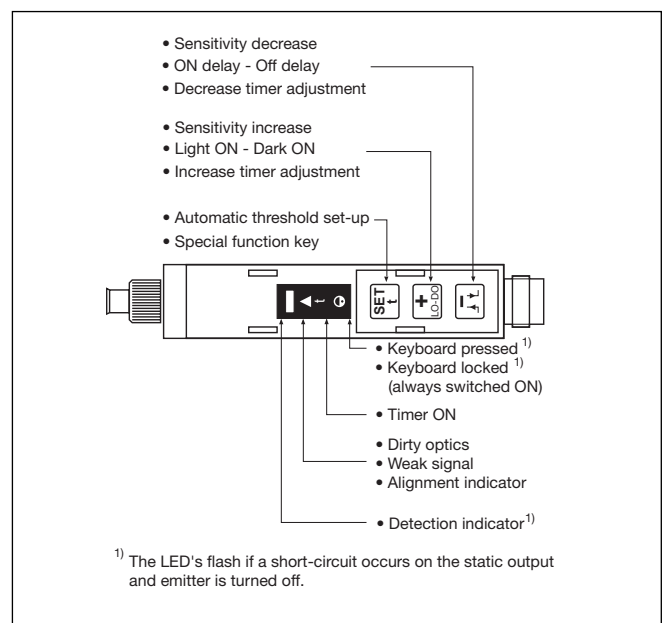
Programming Functions

Keyboard Unlock	Press & for 4 sec. and the indicator turns OFF	Timing functions ON delay	Press for 4 sec.
	Press & for 4 sec. and the indicator turns ON		Set timer (timer ON) Until the flashes
Lock	Press & for 4 sec. and the indicator turns ON	Increase time (500 mS/step)	Press N times
Self-Teach operation Coarse set-up mode	Press one time	Decrease time (500 mS/step)	Press N times
	Fine set-up mode (Similar to Remote Input)	Press two times	ON or OFF delay (toggle)
Sensitivity adjustment To increase	Press N time	Reset timer (timer OFF)	Press once
	To decrease	Press N times	Exit timer setting
Light or dark operation Change the output function	Press for 4 sec.	Alignment help Enter alignment help	Press for 4 sec.
			Until the flashes Three frequencies proportional to the signal strength
		Exit alignment help	Press for 4 sec.

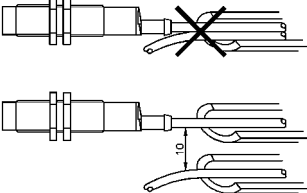
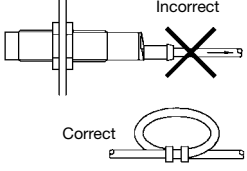
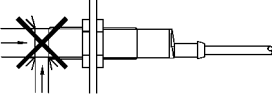
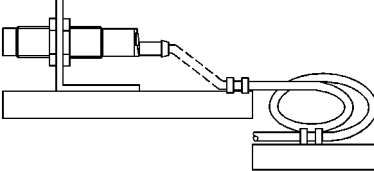
Wiring Diagram



Keyboard and LED



Installation Hints

<p><i>To avoid interference from inductive voltage/current peaks, separate the prox. switch power cables from any other power cables, e.g. motor, contactor or solenoid cables</i></p> 	<p><i>Relief of cable strain</i></p>  <p>The cable should not be pulled</p>	<p><i>Protection of the sensing face</i></p>  <p>A proximity switch should not serve as mechanical stop</p>	<p><i>Switch mounted on mobile carrier</i></p>  <p>Any repetitive flexing of the cable should be avoided</p>
--	--	--	---

Delivery Contents

- Photoelectric switch: PD60CNX20BP..T
- Installation instruction
- **Packaging:** Cardboard box

Accessories

- Plastic fibres type FPD.., FPT..
- Connector type: CONG5A..

For further information refer to "Accessories"