

### Features

- DC to 2 GHz
- Terminals for PCB placement
- Low VSWR
- Aluminum Nitride ceramic

### Applications

- RF amplifiers
- Attenuators
- Antenna feeds

## CHF2010CNP Series 10 W Power RF Chip Termination

#### General Specifications

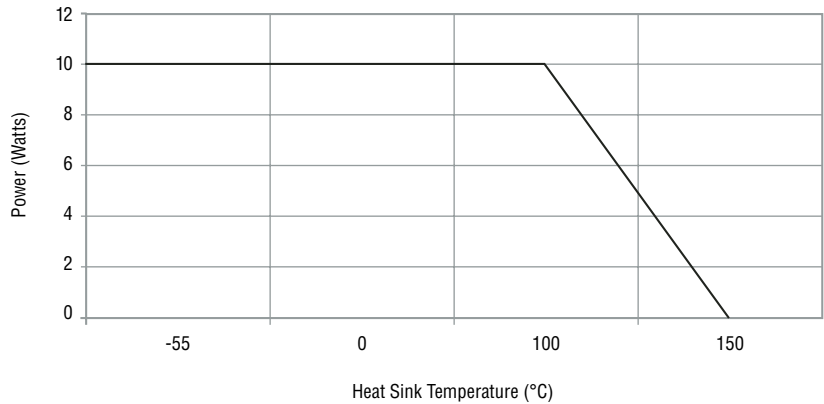
Substrate.....ALN  
 Resistive Film.....Thick-Film  
 Terminals.....PtAg\*  
 Resistance.....50 Ω  
 Tolerance.....±5 %  
 Packaging  
 Tape & Reel.....2000 pcs./7 " reel  
 Bulk .....100 pcs./bag

#### Absolute Ratings

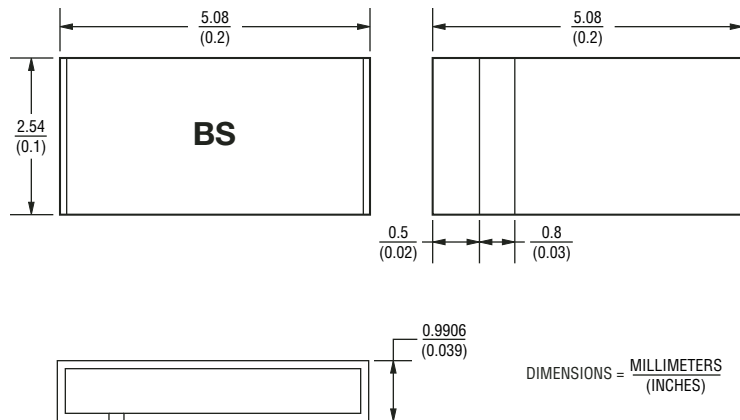
Power.....10 W  
 Frequency .....2 GHz  
 VSWR.....1.2 Maximum

\*Default, other finish options available (see How to Order section).

#### Characteristic Curve



#### Product Dimensions



#### How To Order

**CHF 2010 C N P 500 L Y E**

Model \_\_\_\_\_

Size \_\_\_\_\_

Version \_\_\_\_\_

Substrate \_\_\_\_\_

Mount \_\_\_\_\_  
 P = Printed Circuit Board

Value \_\_\_\_\_  
 500 = 50 Ohm

Function \_\_\_\_\_  
 L = Termination

Finish \_\_\_\_\_  
 Y = Pt Ag (Default)  
 Z = Sn Pb  
 X = Ni Au

Packaging \_\_\_\_\_  
 E = Tape & Reel (2,000 pcs./7 " reel)  
 \_ = Bulk (100 pcs./bag)



Reliable Electronic Solutions

**Asia-Pacific:**  
 Tel: +886-2 2562-4117  
 Fax: +886-2 2562-4116

**Europe:**  
 Tel: +41-41 768 5555  
 Fax: +41-41 768 5510

**The Americas:**  
 Tel: +1-951 781-5500  
 Fax: +1-951 781-5700

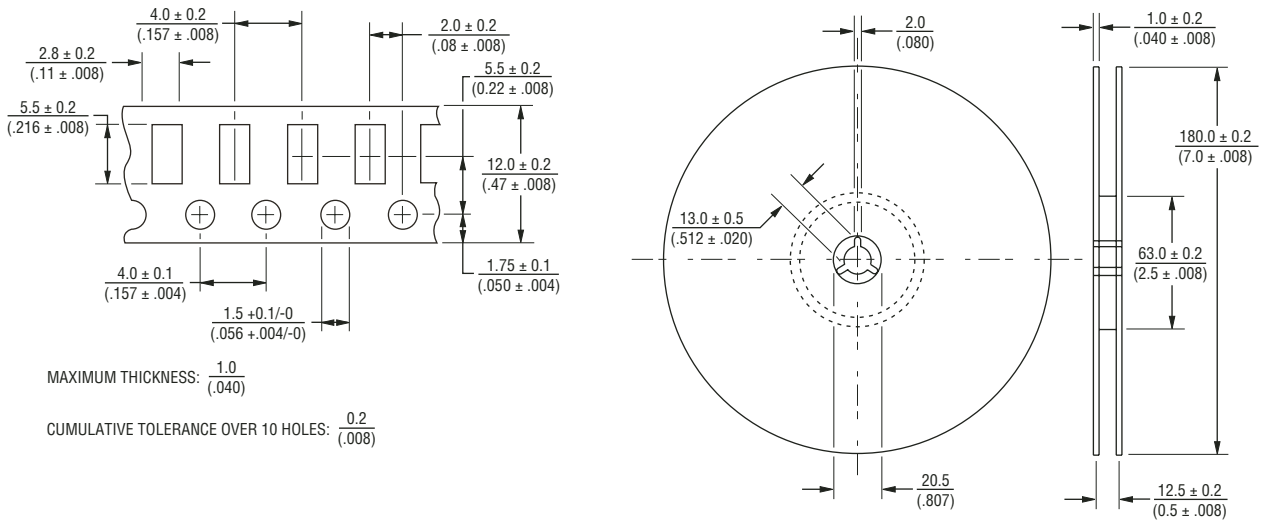
[www.bourns.com](http://www.bourns.com)

\*RoHS Directive 2002/95/EC Jan 27 2003, including Annex  
 Specifications are subject to change without notice.  
 Customers should verify actual device performance in their specific applications.

# CHF2010CNP Series 10 W Power RF Chip Termination

**BOURNS®**

## Packaging Dimensions



MAXIMUM THICKNESS:  $\frac{1.0}{(.040)}$

CUMULATIVE TOLERANCE OVER 10 HOLES:  $\frac{0.2}{(.008)}$

DIMENSIONS:  $\frac{\text{MM}}{(\text{INCHES})}$