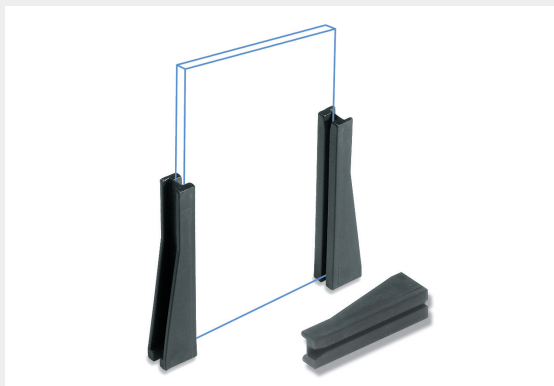


VERT-O-GIDE™

Vertical Guides for 1/16th, 3/32nd and 1/8th PCBs

- Two styles with 31 variations that mount with industry standard fasteners
- Can eliminate the need for card cages
- Allows for vertical installations of PCBs in limitless widths
- Compatible with 1/16th PCBs



VERT-O-GIDES™ provide the design flexibility and allow the ganging or tandem mounting of multiple PCBs. Retention is firm and there are no special tools or fixtures required for installation.

Mounting Information:

Standard #6 fasteners 0.146 [3.7mm] (#27 drill) hole for locating pin / anti-rotation hole

Material Specifications:

UL Rated 94V-0, Black, 10% Glass Filled 6 Nylon per ASTM D4066 PA210G10
 Oxygen Index: +28%
 UL File #E84658

Application Notes:

Prolonged pre-assembly exposure to high humidity can cause molded Nylon components to "grow" out of tolerance. Storage in a cool dry place is recommended.

Tops of guides converge slightly to grip boards.

Vert-O-Gide VG 2 Series

2" thru 6" Lengths

| Dash No. | A | B | SW 1/16"PCB |
|----------|-------------|------------|----------------|
| VG2-2 | 2.0 (50.8) | 1.5 (38.1) | .076 (1.9) |
| VG2-25 | 2.5 (63.5) | 1.5 (38.1) | .076 (1.9) |
| VG2-3 | 3.0 (76.2) | 2.0 (50.8) | .076 (1.9) |
| VG2-35 | 3.5 (88.9) | 2.0 (50.8) | .076 (1.9) |
| VG2-4 | 4.0 (101.6) | 2.0 (50.8) | .076 (1.9) |
| VG2-45 | 4.5 (114.3) | 2.0 (50.8) | .076 (1.9) |
| VG2-5 | 5.0 (127.0) | 2.0 (50.8) | .076 (1.9) |
| VG2-55 | 5.5 (139.7) | 2.0 (50.8) | .076 (1.9) |
| VG2-6 | 6.0 (152.4) | 2.0 (50.8) | .076 (1.9) |

*For slot widths other than .076" (1.9), add-xxx e.g. VG2-4-134 is a VG2-4 guide with a slot width of .134" (3.4)

