

PANEL MOUNT LED ASSEMBLIES

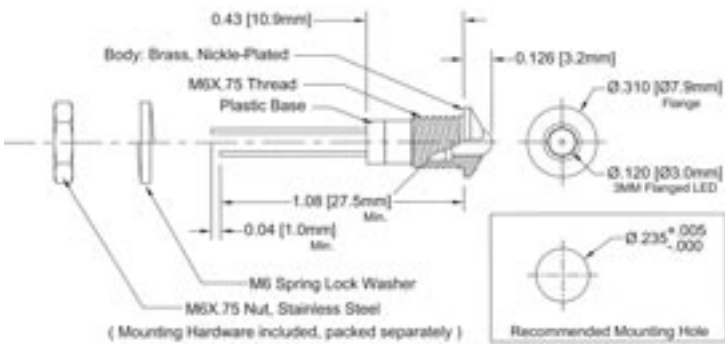
MP Series



- High Quality Nickel-Plated Brass Housing
- Enhanced Viewing Angles with Reflector Use
- Daylight Visible Available
- Wide Variety of Connectors and Flying Leads Available
(subject to special quotation)
- All Necessary Stainless Steel Mounting Hardware Provided
- Uses 3XX-F or 5XX-F Flanged LEDs

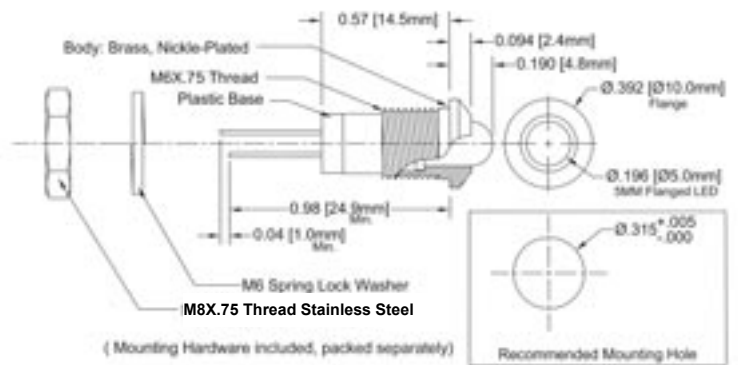
MPC3 Series

Chrome Panel Mount



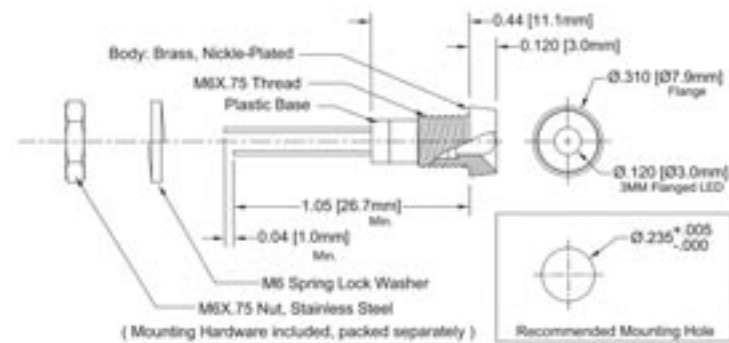
MPC5 Series

Chrome Panel Mount



MPR3 Series

Chrome Panel Mount



MPR5 Series

Chrome Panel Mount

