

# DIPLEXER FILTER MODULES

## EuroDOCSIS 2.0

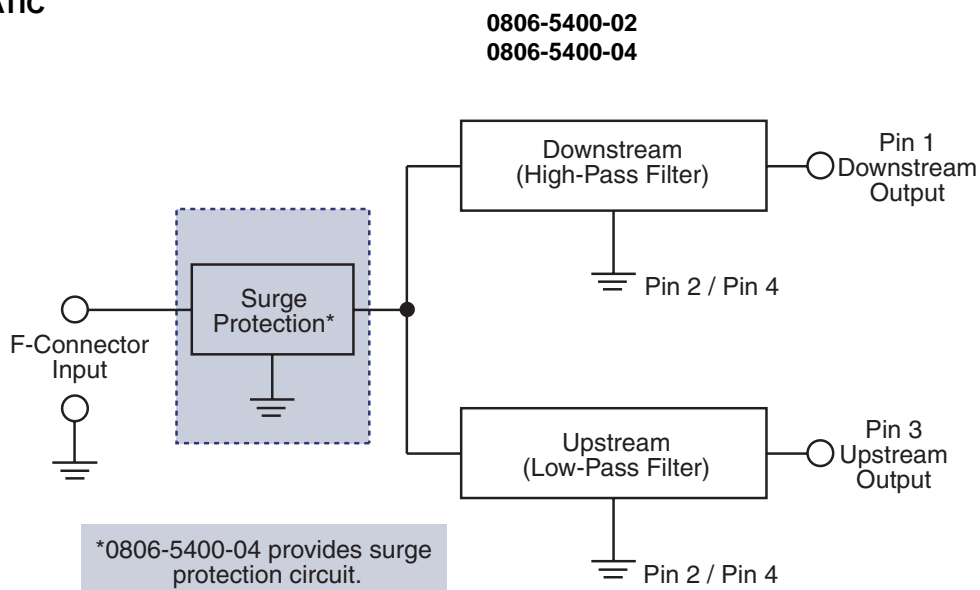
CM02401

- Optimized for use in cable modems, cable TV set-top boxes and PCI card applications
- Designed to meet European Data Over Cable Service Interface Specification (EuroDOCSIS) 2.0
- Surge protection per IEC 61000-4-5 Class 4
- Excellent insertion loss and return loss characteristics
- Pre-tuned, shielded modules with integral coaxial F-connector
- Metal housing minimizes EMI for superior performance

### ELECTRICAL SPECIFICATIONS at 25° C

Low Pass Filter				
Passband Insertion Loss		Stopband Insertion Loss		Return Loss
5MHz - 67MHz		88MHz - 126MHz	126MHz - 860MHz	5MHz - 67MHz
1.5dB max		50dB min	48dB min	12dB min
High Pass Filter				
Passband Insertion Loss			Stopband Insertion Loss	Return Loss
88MHz	88MHz - 102MHz	103MHz - 860MHz	5MHz - 63MHz	63MHz - 65MHz
1.8dB max	1.5dB max	1.0dB max	50dB min	48dB min

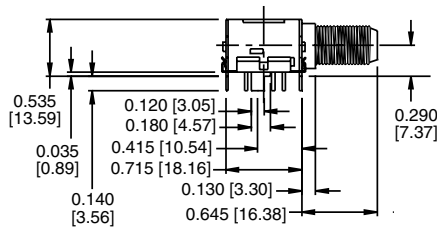
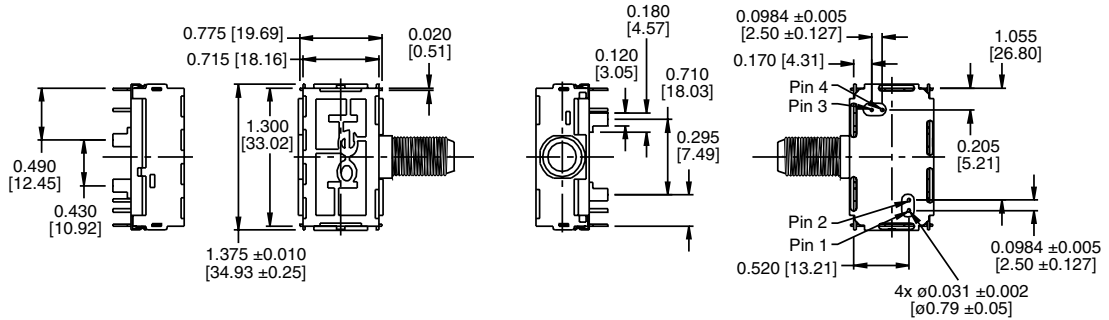
### SCHEMATIC



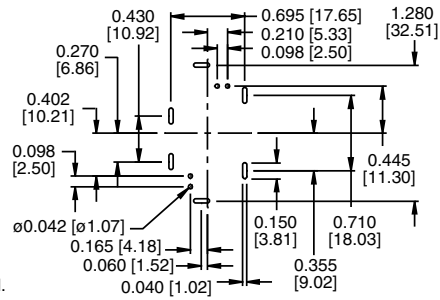
CM02401

### MECHANICAL

#### 0806-5400-02

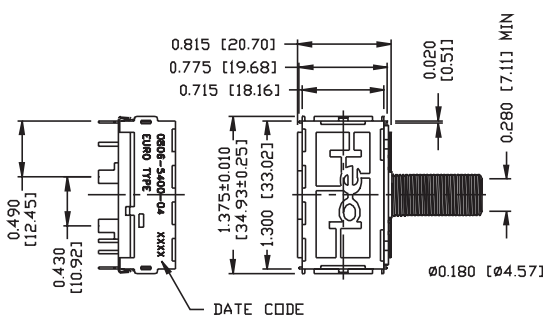
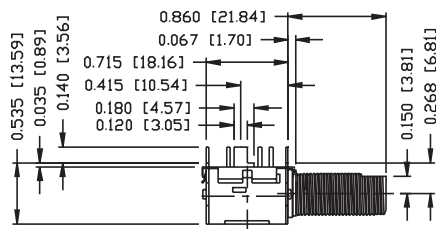


Suggested PCB Pad Layout



Dimensions are in inches [millimeters].  
Standard dimension tolerance is ±0.020 [0.51] unless otherwise noted.

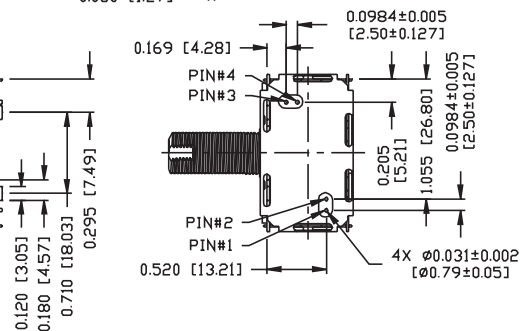
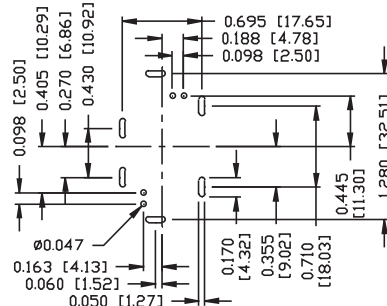
#### 0806-5400-04



**NOTES:**

- STANDARD MARKING REFER TO DDC. HAND-WORK-04.
- PACKAGE CODE : 'ZEA001'.
- CONNECTOR HOLDING STRENGTH: ABSOLUTE MAX. TORQUE STRENGTH TO BE 6.78 Nm.

SUGGESTED PCB PAD LAYOUT



©2005 Bel Fuse Inc. Specifications subject to change without notice. 06.05

### CORPORATE

**Bel Fuse Inc.**  
206 Van Vorst Street  
Jersey City, NJ 07302  
Tel 201-432-0463  
Fax 201-432-9542  
www.belfuse.com

### FAR EAST

**Bel Fuse Ltd.**  
8F / 8 Luk Hop Street  
San Po Kong  
Kowloon, Hong Kong  
Tel 852-2328-5515  
Fax 852-2352-3706  
www.belfuse.com

### EUROPE

**Bel Fuse Europe Ltd.**  
Preston Technology Management Centre  
Marsh Lane, Suite G7, Preston  
Lancashire, PR1 8UD, U.K.  
Tel 44-1772-556601  
Fax 44-1772-888366  
www.belfuse.com