

NPN SILICON RF POWER TRANSISTOR

DESCRIPTION:

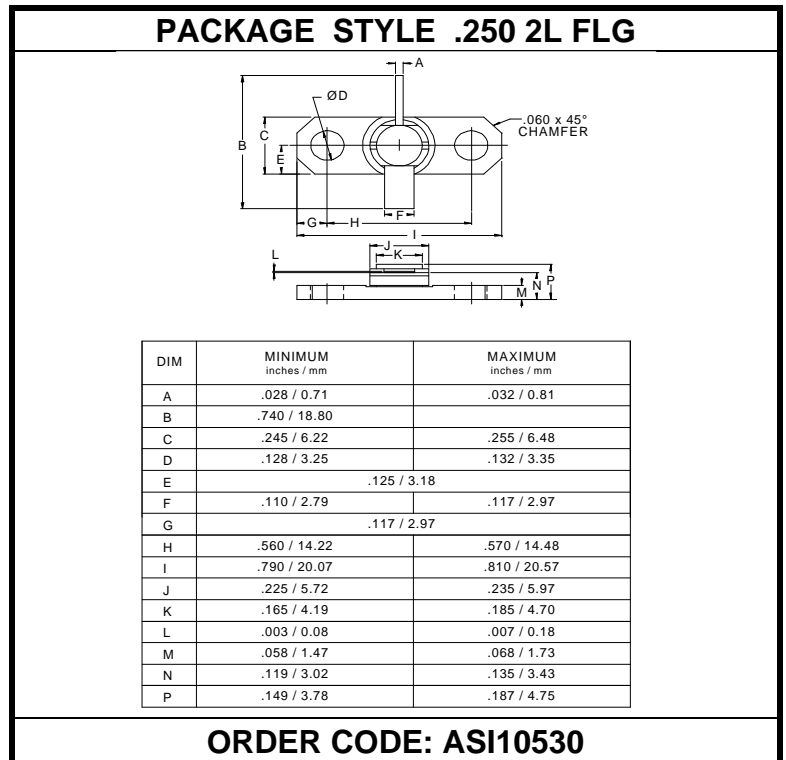
The **ASI 2010** is Designed for General Purpose Class C Power Amplifier Applications up to 2300 MHz.

FEATURES:

- $P_G = 5$ dB min. at 10 W/ 2,000 MHz
- Hermetic Microstrip Package
- **Omnigold™** Metalization System

MAXIMUM RATINGS

I_C	1.5 A
V_{CC}	35 V
P_{DISS}	35 W @ $T_C = 25^\circ C$
T_J	$-65^\circ C$ to $+200^\circ C$
T_{STG}	$-65^\circ C$ to $+200^\circ C$
θ_{JC}	5.0 $^\circ C/W$


CHARACTERISTICS $T_C = 25^\circ C$

SYMBOL	TEST CONDITIONS	MINIMUM	TYPICAL	MAXIMUM	UNITS
BV_{CBO}	$I_C = 5$ mA	45			V
BV_{CER}	$I_C = 15$ mA $R_{BE} = 10 \Omega$	45			V
BV_{EBO}	$I_E = 1$ mA	3.5			V
I_{CBO}	$V_{CB} = 28$ V			5.0	mA
h_{FE}	$V_{CE} = 5.0$ V $I_C = 1000$ mA	15		120	---
C_{ob}	$V_{CB} = 28$ V $f = 1.0$ MHz			7.5	pF
P_G	$V_{CC} = 28$ V $P_{OUT} = 10$ W $f = 2.0$ GHz	5.0			dB
η_c		35			%