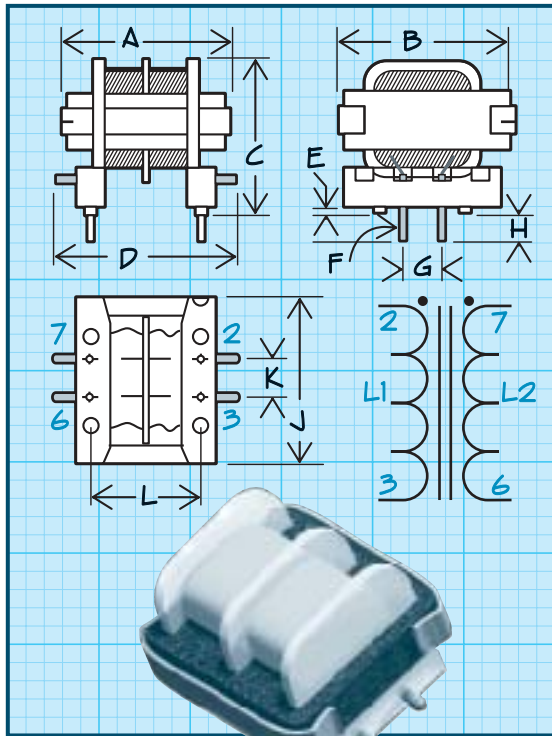


Series CM9900

PC Mount Common Mode Chokes



Physical Parameters

	Inches	Millimeters
A	0.740 ± 0.025	18.8 ± 0.64
B	0.840 ± 0.025	21.3 ± 0.64
C	0.670 ± 0.025	17.0 ± 0.64
D	0.900 Ref.	22.9 ± 0.64
E	0.040 ± 0.025	1.0 ± 0.64
F	0.025 Sq. (Typ.)	0.64 Sq. (Typ.)
G	0.200 ± 0.010	5.1 ± 0.3
H	0.175 ± 0.010	4.4 ± 0.3
J	0.750 ± 0.025	19.1 ± 0.64
K	0.200 ± 0.010	5.1 ± 0.3
L	0.515 ± 0.010	13.1 ± 0.3

All dimensions are typical

Operating Temperature Range -55°C to +125°C

Current Rating at 80°C Ambient 40°C rise

Mechanical Configuration Tape wrapped winding sections; varnish impregnated assembly.

Notes 1) Inductance in table is for either L1 or L2.
 2) Leakage Inductance tested at L1 with L2 shorted or at L2 with L1 shorted. 3) Windings balanced within 1%.

Packaging Bulk only

PART NUMBER	L (µH), L1 or L2 @ 1kHz ± 25%	DC RESISTANCE MAXIMUM (OHMS)	CURRENT RATING MAXIMUM (AMPS)	LEAKAGE IND. MAXIMUM (µH)
CM9900-473	47	0.016	3.5	4.0
CM9900-563	56	0.018	3.5	4.0
CM9900-683	68	0.019	3.5	5.0
CM9900-823	82	0.023	2.8	5.5
CM9900-104	100	0.025	2.8	6.0
CM9900-124	120	0.028	2.8	6.5
CM9900-154	150	0.030	2.8	7.5
CM9900-184	180	0.038	2.2	8.0
CM9900-224	220	0.044	2.2	9.0
CM9900-274	270	0.051	2.2	10
CM9900-334	330	0.058	1.7	11
CM9900-474	470	0.078	1.4	16
CM9900-564	560	0.091	1.4	18
CM9900-684	680	0.115	1.1	20
CM9900-824	820	0.131	1.1	25
CM9900-105	1000	0.194	0.88	35
CM9900-125	1200	0.219	0.88	47
CM9900-155	1500	0.278	0.70	49
CM9900-185	1800	0.306	0.70	59
CM9900-225	2200	0.431	0.55	76
CM9900-275	2700	0.469	0.55	91
CM9900-335	3300	0.531	0.55	101
CM9900-395	3900	0.669	0.44	135
CM9900-475	4700	0.760	0.44	158
CM9900-565	5600	0.853	0.44	196
CM9900-685	6800	1.24	0.35	257
CM9900-825	8200	1.40	0.35	296
CM9900-106	10000	1.61	0.35	362
CM9900-126	12000	1.98	0.27	410
CM9900-156	15000	2.24	0.27	503
CM9900-186	18000	2.45	0.27	602
CM9900-226	22000	3.49	0.22	730
CM9900-276	27000	4.60	0.17	870
CM9900-336	33000	5.21	0.17	1150
CM9900-396	39000	7.19	0.13	1300
CM9900-476	47000	7.80	0.13	1541
CM9900-566	56000	8.69	0.13	1875
CM9900-686	68000	9.69	0.13	2254
CM9900-826	82000	13.10	0.10	2702
CM9900-107	100000	14.60	0.10	3269
CM9900-127	120000	16.00	0.10	3456