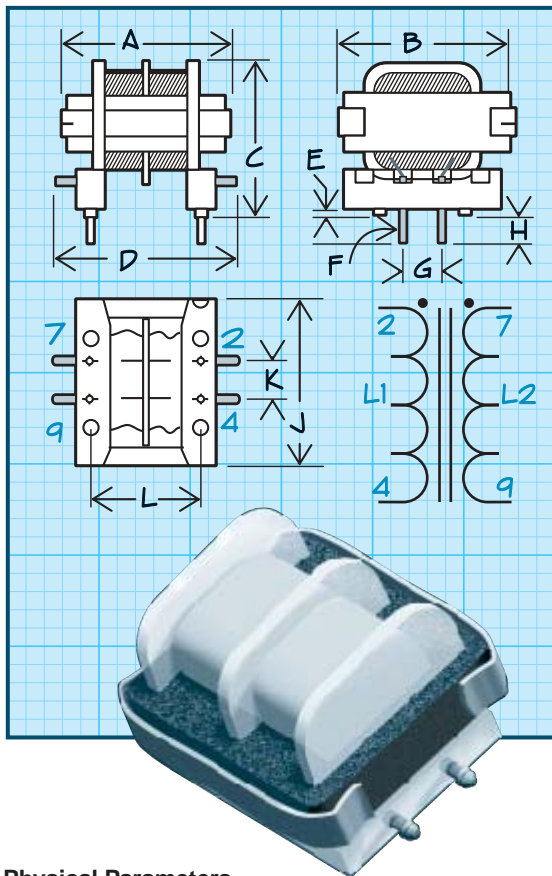


Series CM7560

PC Mount Common Mode Choke



Physical Parameters

	Inches	Millimeters
A	0.860 ± 0.025	21.8 ± 0.64
B	1.070 ± 0.050	27.2 ± 1.27
C	0.830 ± 0.030	21.1 ± 0.76
D	1.060 (Ref. Only)	26.9 (Ref. Only)
E	0.040 ± 0.025	1.0 ± 0.64
F	0.025 Sq. (Typ.)	0.64 Sq. (Typ.)
G	0.400 ± 0.010	10.2 ± 0.3
H	0.175 ± 0.015	4.4 ± 0.38
J	1.03 (Ref. Only)	26.2 (Ref. Only)
K	0.400 ± 0.010	10.2 ± 0.3
L	0.630 ± 0.010	16.0 ± 0.3

Operating Temperature Range -55°C to +125°C

Current Rating at 85°C Ambient 40°C Rise

Mechanical Configuration Tape wrapped winding sections; varnish impregnated assembly

Notes 1) Inductance in table is for either L1 or L2.
 2) Leakage Inductance tested at L1 with L2 shorted or at L2 with L1 shorted. 3) Windings balanced within 1%.

Packaging Bulk only

PART NUMBER	L (µH) L1 or L2 @ 1kHz ± 25%	DC RESISTANCE MAXIMUM (Ohms)	CURRENT RATING MAXIMUM (Amps)	LEAKAGE INDUCTANCE MAXIMUM (µH)
CM7560-563	56	0.013	5.5	3.5
CM7560-683	68	0.013	5.5	3.5
CM7560-823	82	0.013	5.5	3.5
CM7560-104	100	0.013	5.5	3.5
CM7560-124	120	0.015	5.5	4.5
CM7560-154	150	0.015	5.5	6.0
CM7560-184	180	0.019	4.5	7.0
CM7560-224	220	0.020	4.5	7.5
CM7560-274	270	0.025	4.5	9.0
CM7560-334	330	0.025	3.5	12
CM7560-474	470	0.030	3.5	14
CM7560-564	560	0.035	3.5	18
CM7560-684	680	0.040	3.5	20
CM7560-824	820	0.060	2.8	24
CM7560-105	1000	0.065	2.8	30
CM7560-125	1200	0.095	2.2	35
CM7560-155	1500	0.115	1.7	40
CM7560-185	1800	0.125	1.7	45
CM7560-225	2200	0.170	1.4	55
CM7560-275	2700	0.180	1.4	75
CM7560-335	3300	0.320	1.1	90
CM7560-395	3900	0.400	1.1	100
CM7560-475	4700	0.450	0.88	130
CM7560-565	5600	0.500	0.88	175
CM7560-685	6800	0.600	0.88	220
CM7560-825	8200	0.750	0.88	230
CM7560-106	10000	0.800	0.70	250
CM7560-126	12000	0.900	0.70	300
CM7560-156	15000	1.00	0.70	350
CM7560-186	18000	1.30	0.55	425
CM7560-226	22000	1.50	0.55	475
CM7560-276	27000	1.80	0.44	550
CM7560-336	33000	2.20	0.44	650
CM7560-396	39000	2.60	0.44	800
CM7560-476	47000	3.00	0.44	900
CM7560-566	56000	4.00	0.35	1100
CM7560-686	68000	5.00	0.27	1300
CM7560-826	82000	5.50	0.27	1800
CM7560-107	100000	6.40	0.27	2100
CM7560-127	120000	7.80	0.22	2600
CM7560-157	150000	9.00	0.22	3000