

INTRODUCTION

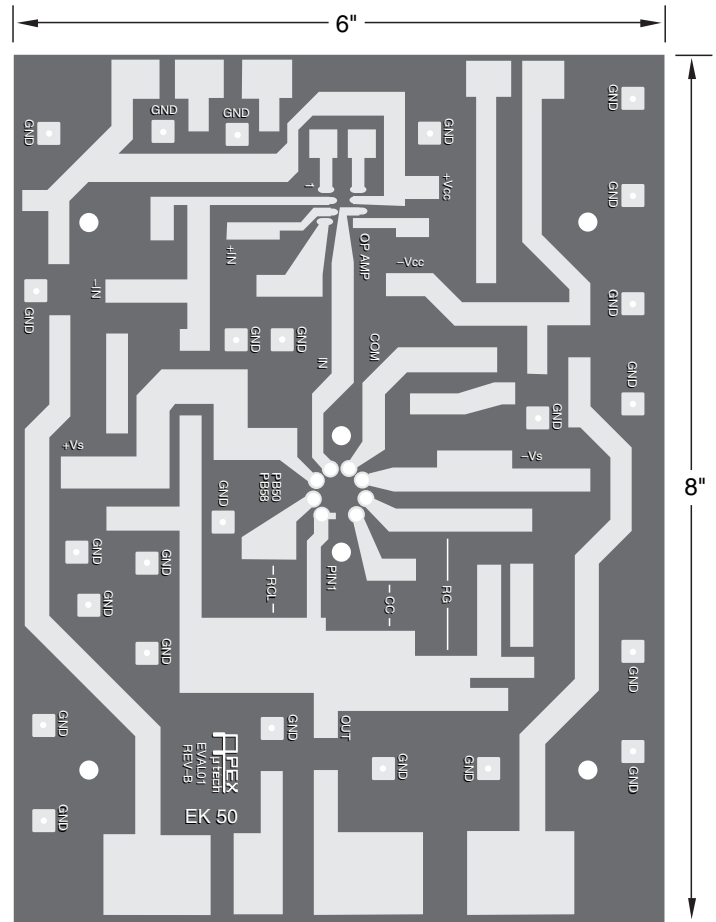
This easy-to-use kit provides a platform for the evaluation of the PB50 and PB58 high voltage power boosters. The PB50 and PB58 are designed most commonly in combination with a small signal, general purpose op amp. However, they can also be used without a driver amplifier. This kit can be used to analyze a multitude of standard or proprietary circuit configurations.

PARTS LIST

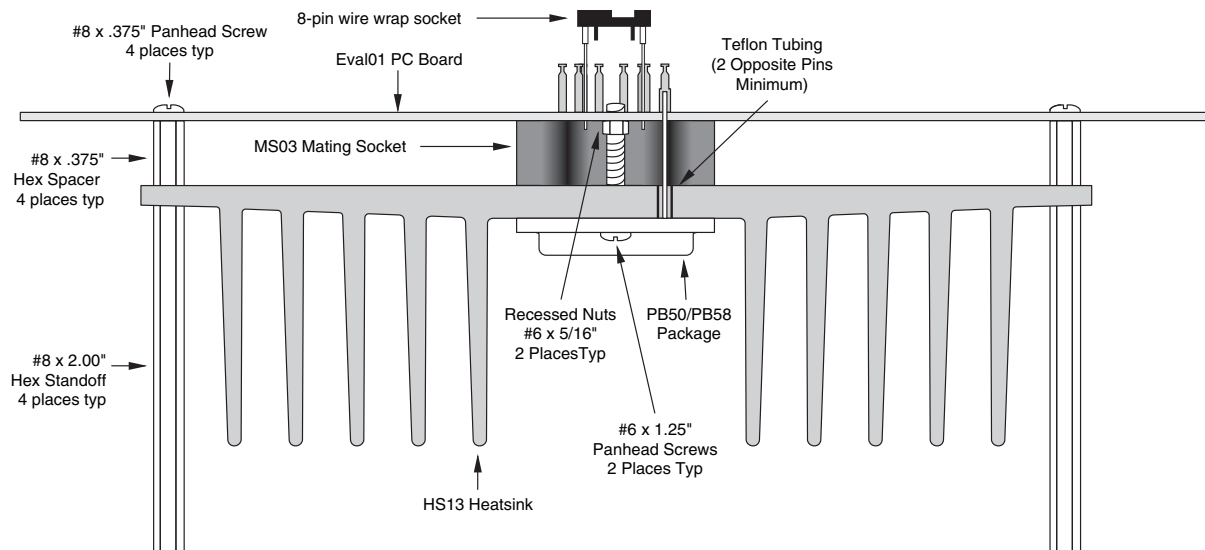
Part #	Description	Quantity
HS13	Heatsink	1
EVAL01	PC Board	1
MS03	Mating Socket	1
HWRE02	Hardware Kit	1
HWRE05	8-Pin Wire Wrap Socket	1
TW03	Thermal Washer	1 Box/10

HWRE02 contains the following:

- 4 #8 x .375" Panhead Screws
- 4 #8 x .375" Hex Spacers
- 4 #8 x 2.00" Hex Stand Offs
- 2 #6 x 1.25" Panhead Screws
- 2 #6 x 5/16" Hex Nuts



ASSEMBLY



CAUTION

1. Use thermal grease or Apex Thermal Washer TW03 between power booster and heatsink.
2. Use 18 gauge teflon sleeve on at least two opposite pins
3. Mounting torque greater than 7 in•lbs on power booster mounting bolts will void warranty!

EQUIVALENT SCHEMATIC

